

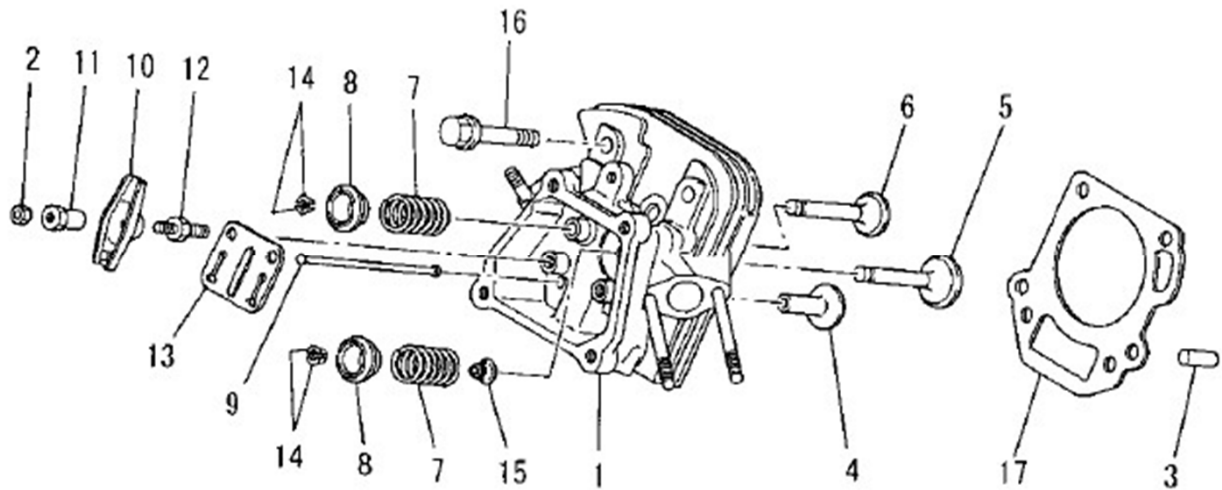
PARTS CATALOG 零件目录

**BRILLIANT AIR-COOLED  
GASLINE ENGINE  
博联风冷汽油发动机**

MODEL 型号: GT1000LN-ATH



# (B) CYLINDER HEAD GROUP



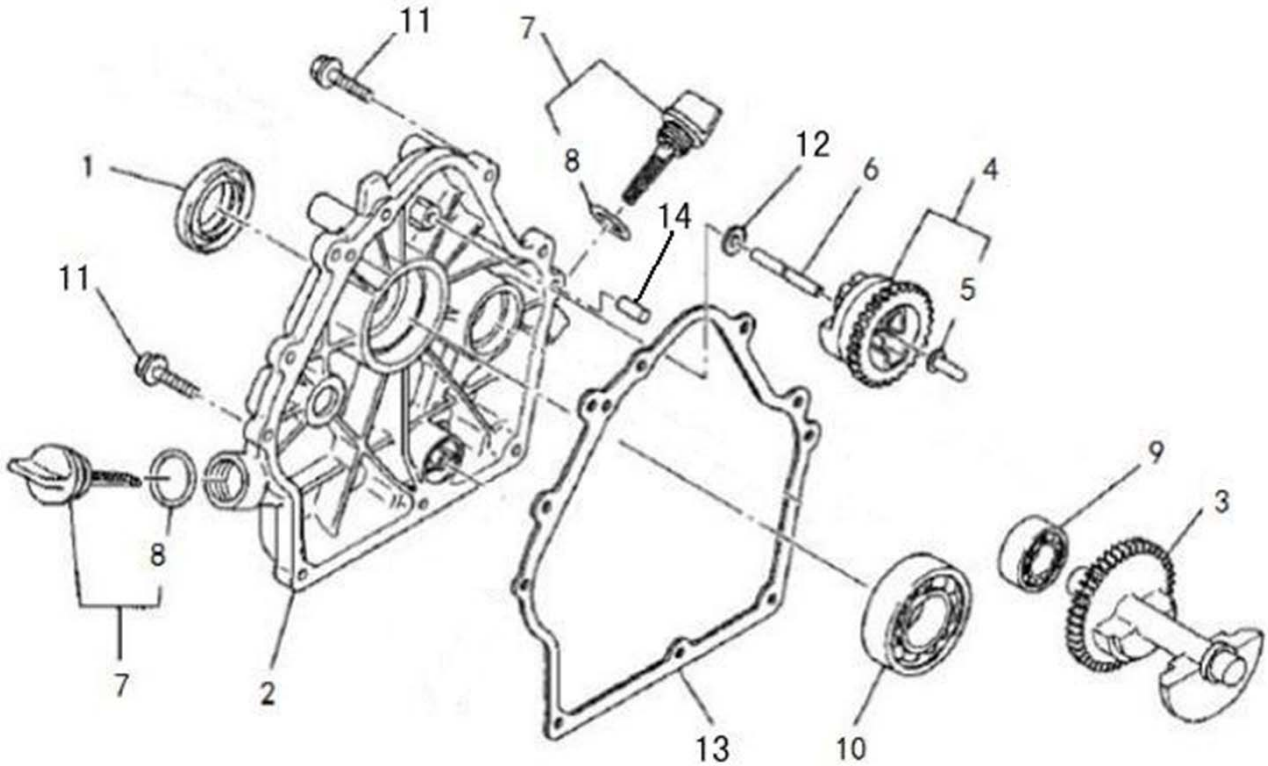
No.	Parts No.	Parts Name	No.Req'd	Inte Remarks	Assy No.	Price
1	KC02065AA	CYLINDER HEAD ASSY 气缸盖总成	1	MARK 1	LC02065AA	
2	BU23009AA	NUT 螺母	2			
3	KU44001AA	PIN,DOWEL 定位销	2			
4	KV24012AA	TAPPET 挺柱	2			
5	KV35007AA	VALVE,INTAKE 进气门	1			
6	KV45011AA	VALVE,EXHAUST 排气门	1			
7	KV55006AA	SPRING,VALVE 气门弹簧	2			
8	KV65004AA	RETAINER,VALVE SPG 气门弹簧座	2			
9	KV71004AA	ROD,PUSH 推杆	2			
10	KV72019AA	ARM,ROCKER 摇臂	2			
11	KV73006AA	NUT 螺母	2			
12	BV74011AA	BOLT 螺栓	2			

MARK1: WITH B151B06X155/B151B08X020/5/6/7/8/14/15





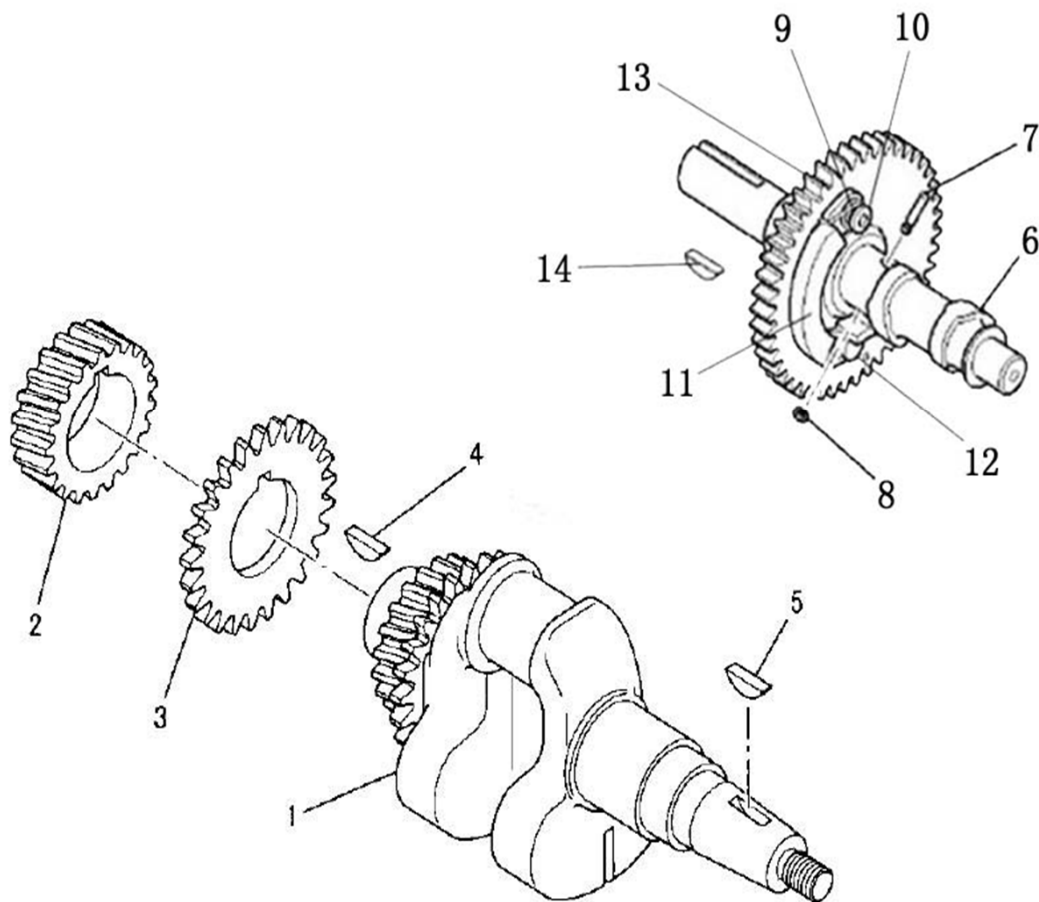
# (D) CASE COVER GROUP



No.	Parts No.	Parts Name	No.Req'd	Inte Remarks	Assy No.	Price
1	BA29008	OIL SEAL 油封	1			
2	KB66012AA	COVER,CRANKCASE 箱体侧盖	1	WITH 1/4/5/6/9/10/12	LB66011FB	
3	KD51008BA	SHAFT,BALANCER 平衡轴	1			
4	BG01003BA	GOVERNOR GEAR ASSY 调速齿轮部件	1			
5	BG14005AA	SLIDER,GOV 滑套	1			
6	KG22022AA	SHAFT,GOV 调速轴	1			
7	KL21018AA001	GAUGE,OIL 机油标尺	2	WITH 8		
8	KW29006AA	O-RING O型圈	2			
9	S111X62X030	BEARING,BALL 轴承	1	#6203		
10	S111X62X060	BEARING,BALL 轴承	2	#6206		
11	B800B08X030	BOLT,FLANGE 法兰螺柱	9			
12	W200H06	WASHER 垫圈	1			



# (E) CRANKSHAFT GROUP

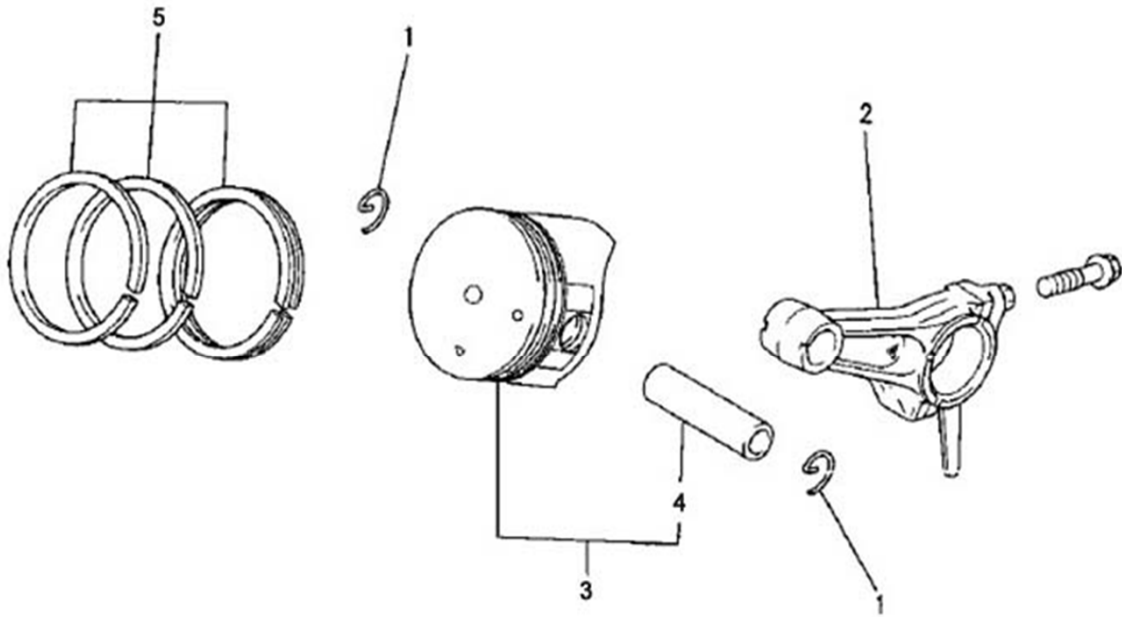


No.	Parts No.	Parts Name	No.Req'd	Inte Remarks	Assy No.	Price
1	KD28024AA	CRANKHAFT 曲轴	1	WITH 2/3/8	LD28024AA	
2	KD63059AA	GEAR,CRANKSHAFT 曲轴正时齿轮	1			
3	KD63060AA	GEAR,BALANCER 平衡轴齿轮	1			
4	W430B05X016	KEY,WOODRUFF 半圆键	1			
5	W430B05X016	KEY,WOODRUFF 半圆键	1			
6	KV16004AA	CAMSHAFT 凸轮轴	1	MARK 2	LV16004AA	
7	KV83010CC	PIN 销	1			
8	S500P03	SNAP RING E型挡圈	1			
9	KV81006AA	SPRING 回位弹簧	1			
10	KV84008AA	RIVET 铆钉	1			
11	KV82012AA	FLYWEIGHT 减压飞快	1			
12	KV84010AA	RIVET 铆钉	1			
13	KV93042AA	GEAR,CAMSHAFT 凸轮轴齿轮	1			
14	W430B05X016	KEY,WOODRUFF 半圆键	1			

MARK 2: WITH 5/6/7/9/10/11/12/13/14



# (F) PISTON & ROD GROUP



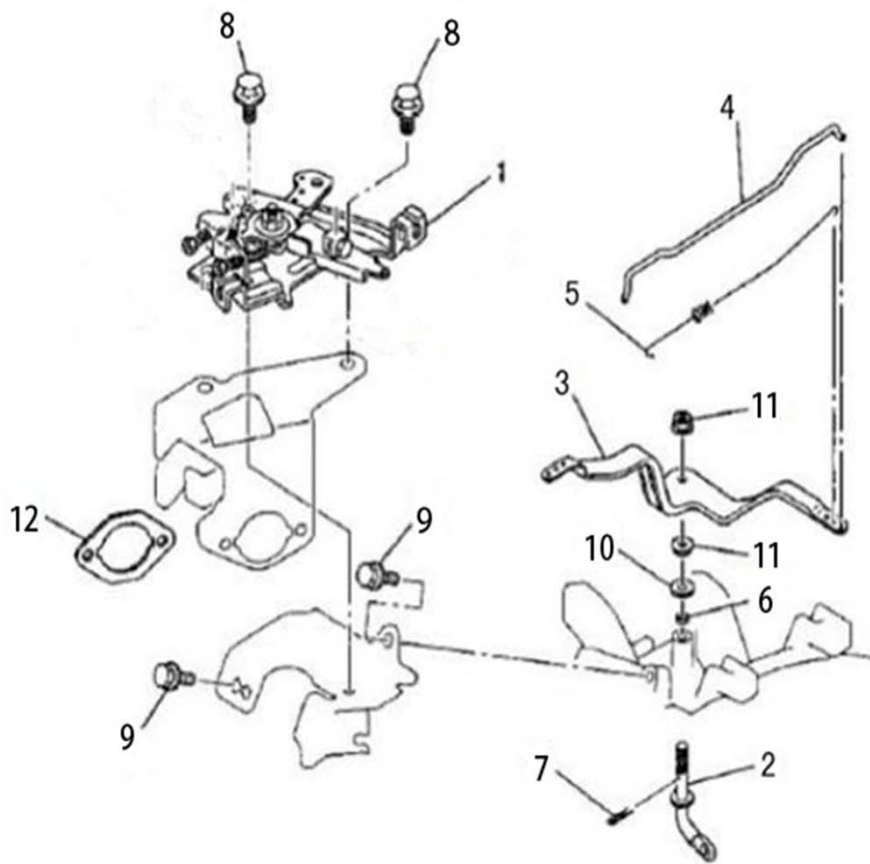
No.	Parts No.	Parts Name	No.Req'd	Inte Remarks	Assy No.	Price
1	KP90006AA	CLIP,PISTON PIN 活塞销卡环	2			
2	BD03036AA	CONNECTING ROD ASSY 连杆总成	1			
3	BP17012AA	PISTON 活塞	1			
4	KP57002AA	PIN,PISTON 活塞销	1			
5	KP27007AA	RING,TOP 顶环	1		LP27007AA	
	KP37005AA	RING,2ND 二环	1			
	KP47005AA	RING,OIL 油环	1			







# (J) CONTROL PANEL GROUP

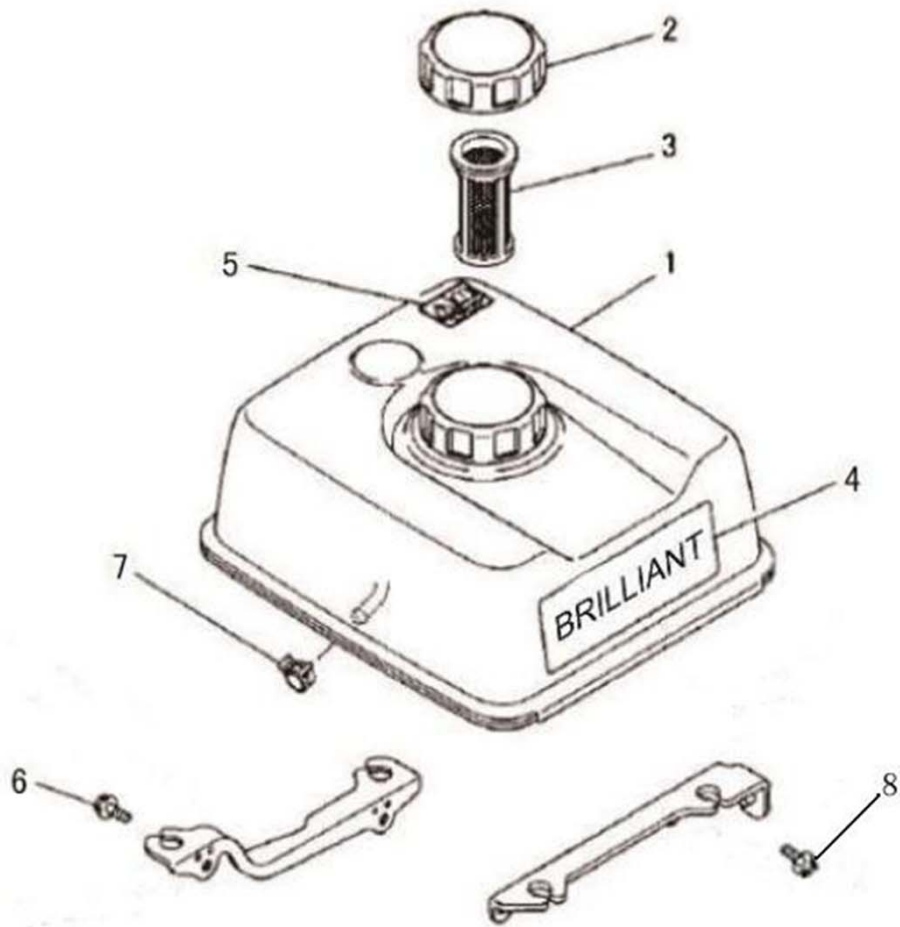


No.	Parts No.	Parts Name	No.Req'd	Inte Remarks	Assy No.	Price
1	KG03059HA	CONTROL PANEL ASSY 控制板总成	1			
2	BG22025AA	SHAFT,GOV 调速摇臂轴	1			
3	KG31034AA	LEVER,GOV 调节杆	1			
4	KG41011AA	ROD,GOV 调速器拉杆	1			
5	KG42038AA	SPRING,ROD 调速拉杆弹簧	1			
6	KG90016AA	SEAL,DUST 防尘密封垫	1			
7	KU70006BA	CLIP 夹子	1			
8	B800A06X012	BOLT,FLANGE 法兰螺柱	3			
9	B800A06X012	BOLT,FLANGE 法兰螺柱	2			
10	KG90015AA	WASHER 垫圈	1			
11	KU24002AA	NUT 螺母	2			
12	KW34005AA	GAKET,CARBURETOR 化油器垫	1			





# (M) TANK GROUP



No.	Parts No.	Parts Name	No.Req'd	Inte Remarks	Assy No.	Price
1	BF04147AA	TANK FUEL 油箱总成	1			
2	KF22003AA	CAP,FUEL TANK 油箱盖	1			
3	KF40016AA	FILTER,FUEL 燃油过滤杯	1			
4	BW55112BA	LABEL 长标贴	1			
5	KW55042AA	LABEL 警示标贴	1			
6	B800A06X016	BOLT,FLANGE 法兰螺柱	3			
7	KU70021AA	CLIP 夹子	1			
8	B800A06X016	BOLT,FLANGE 法兰螺柱	1			

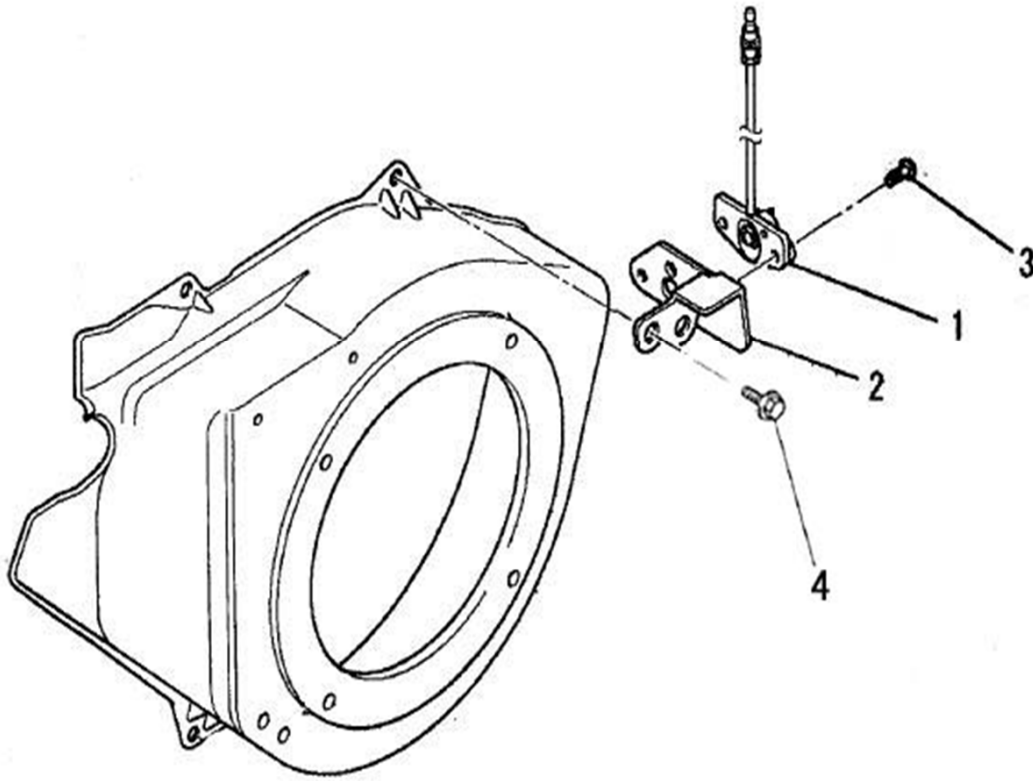








# (U) SWITCH GROUP



No.	Parts No.	Parts Name		No.Req'd	Inte Remarks	Assy No.	Price
1	KE80036BA	SWITCH,STOP	停机开关	1			
2	KE90333AA	BRACKET	支架	1			
3	H051D04X010	SCREW,PAN-CRS	螺栓	2			
4	B800A06X012	BOLT,FLANGE	法兰螺柱	1			



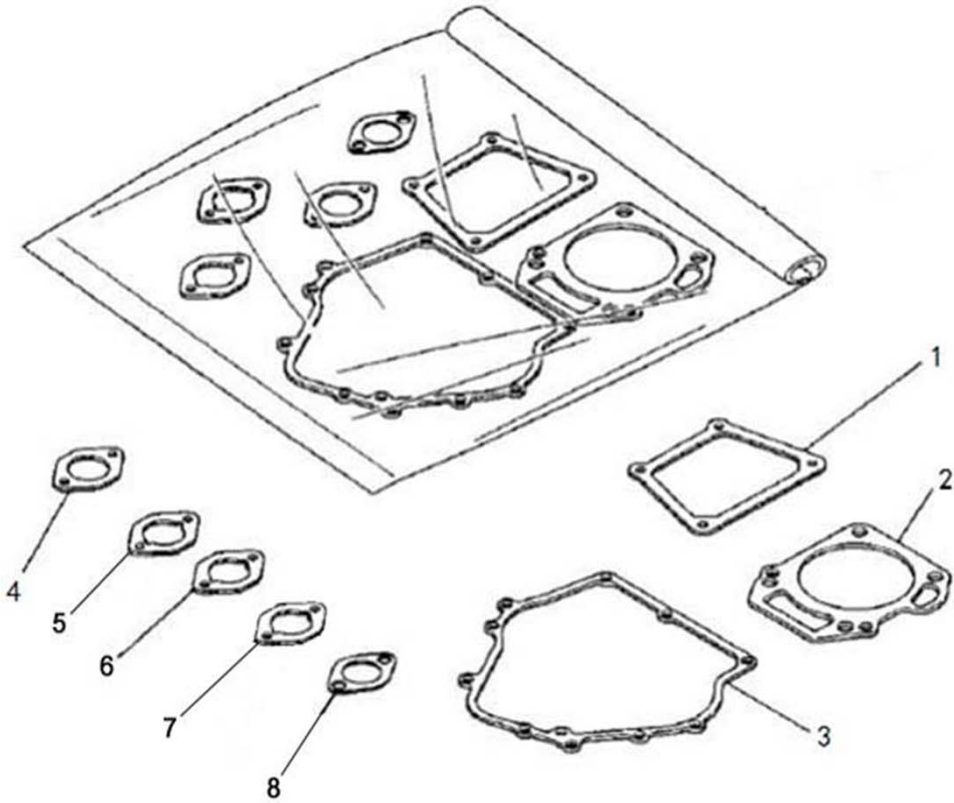








# 5. GASKET SET



No.	Parts No.	Parts Name	No.Req'd	Inte Remarks	Assy No.	Price
1	KW33002AA	GASKET,HEAD COVER 气门室盖垫	1			
2	KC66017AA	GASKET,HEAD 气缸盖垫	1			
3	KW31007AA	GASKET,CRANKCASE 曲轴箱垫	1			
4	KW34005AA	GASKET,CARBURETOR 化油器垫	1			
5	KW34005AA	GASKET,CARBURETOR 化油器垫	1			
6	KW34085AA	GASKET,CARBURETOR 化油器垫	1			
7	KW34005AA	GASKET,CARBURETOR 化油器垫	1			
8	KM70084AA	GASKET,MUFFLER 消音器垫	1			