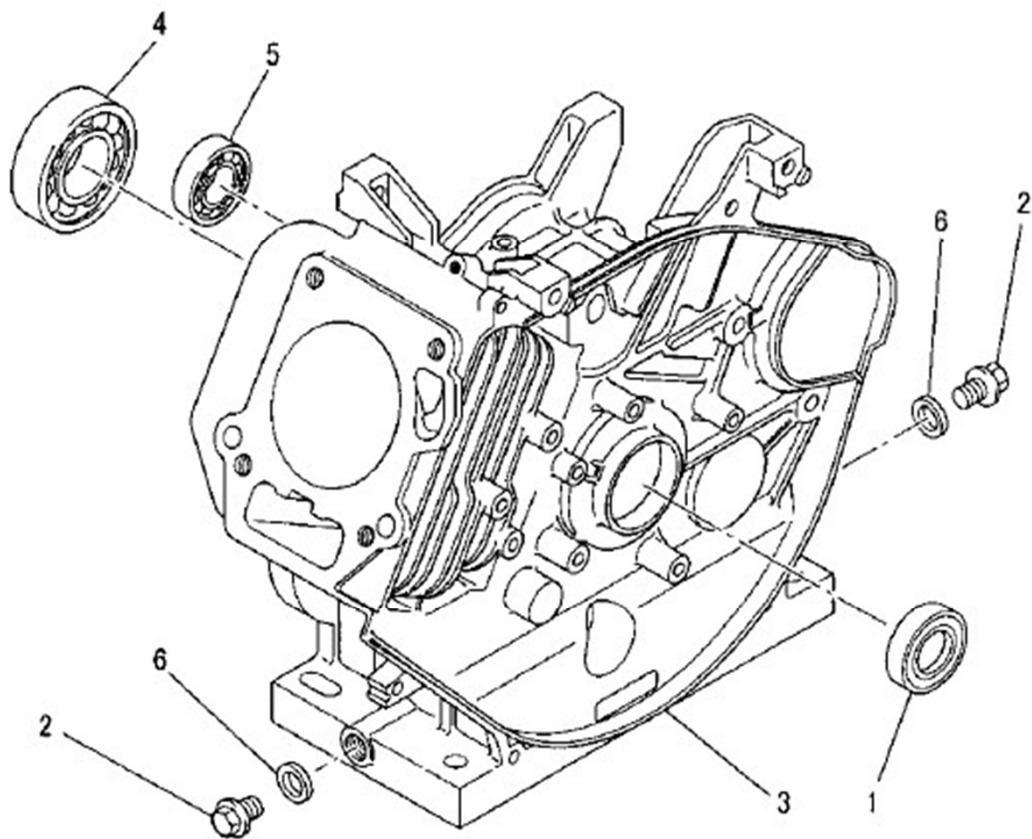


PARTS CATALOG 零件目录

**BRILLIANT AIR-COOLED
GASLINE ENGINE
博联风冷汽油发动机**

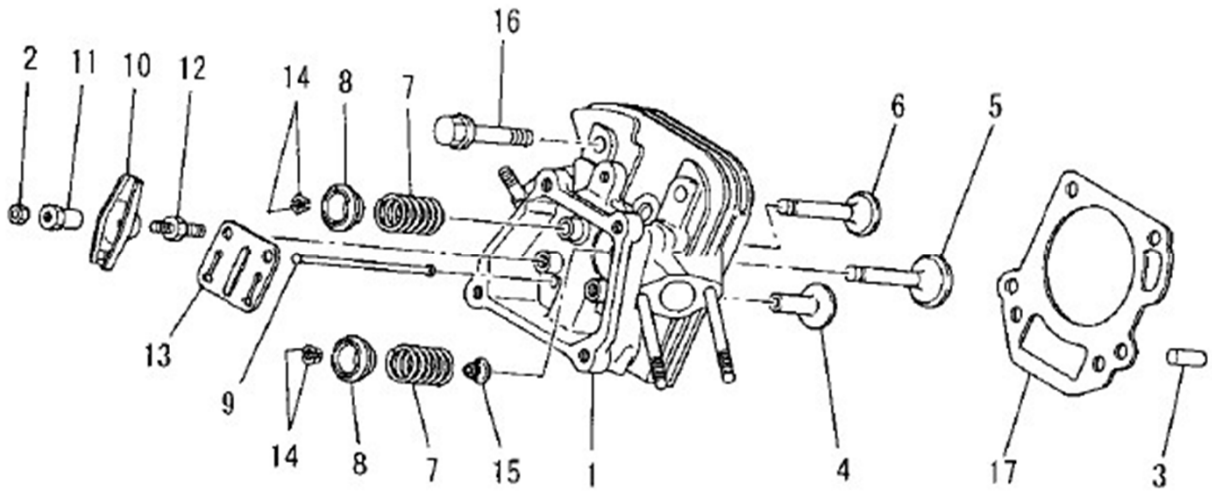
MODEL 型号: GT1000PN-RTW

(A) CYLINDER BLOCK GROUP



No.	Parts No.	Parts Name	No.Req'd	Inte Remarks	Assy No.	Price
1	BA28011	OIL SEAL 油封	1			
2	KL22010AA	PLUG,DRAIN 放油螺塞	2			
3	KB46008AA	CYLINDER BLOCK 气缸箱体	1	WITH 1/2/4/5/6	LB46008AA	
4	S111X62X060	BEARING,BALL 轴承	1	#6206		
5	S111X62X030	BEARING,BALL 轴承	1	#6203		
6	ZZ70013A	GASKET 垫片	2			

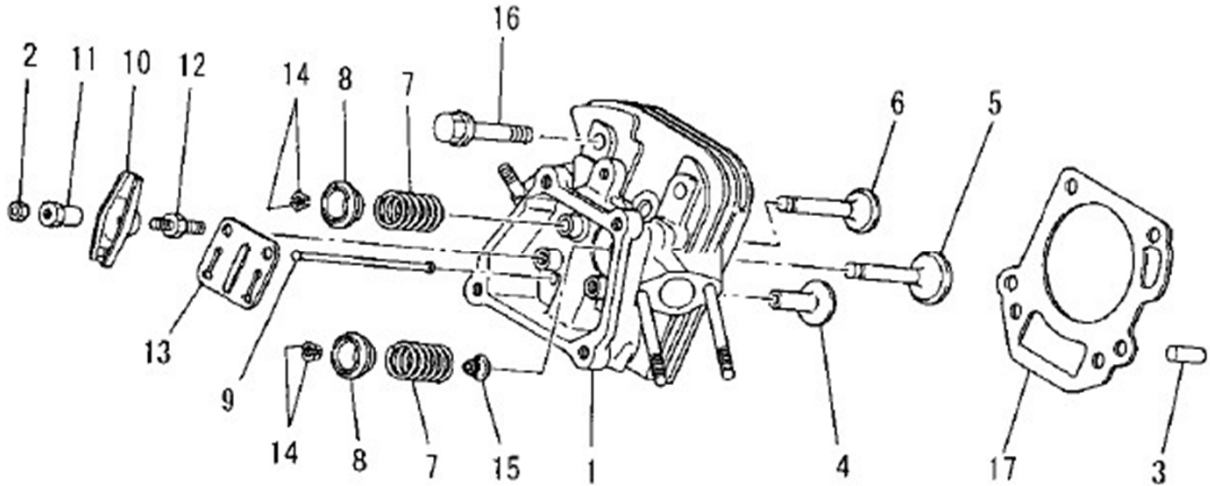
(B) CYLINDER HEAD GROUP



No.	Parts No.	Parts Name	No.Req'd	Inte Remarks	Assy No.	Price
1	KC02065AA	CYLINDER HEAD ASSY 气缸盖总成	1	WITH B151B06X085	LC02065AA	
2	BU23009AA	NUT 螺母	2			
3	KU44001AA	PIN,DOWEL 定位销	2			
4	KV24012AA	TAPPET 挺柱	2			
5	KV35007AA	VALVE,INTAKE 进气门	1			
6	KV45011AA	VALVE,EXHAUST 排气门	1			
7	KV55006AA	SPRING,VALVE 气门弹簧	2			
8	KV65004AA	RETAINER,VALVE SPG 气门弹簧座	2			
9	KV71004AA	ROD,PUSH 推杆	2			
10	KV72019AA	ARM,ROCKER 摇臂	2			
11	KV73006AA	NUT 螺母	2			
12	BV74011AA	BOLT 螺栓	2			

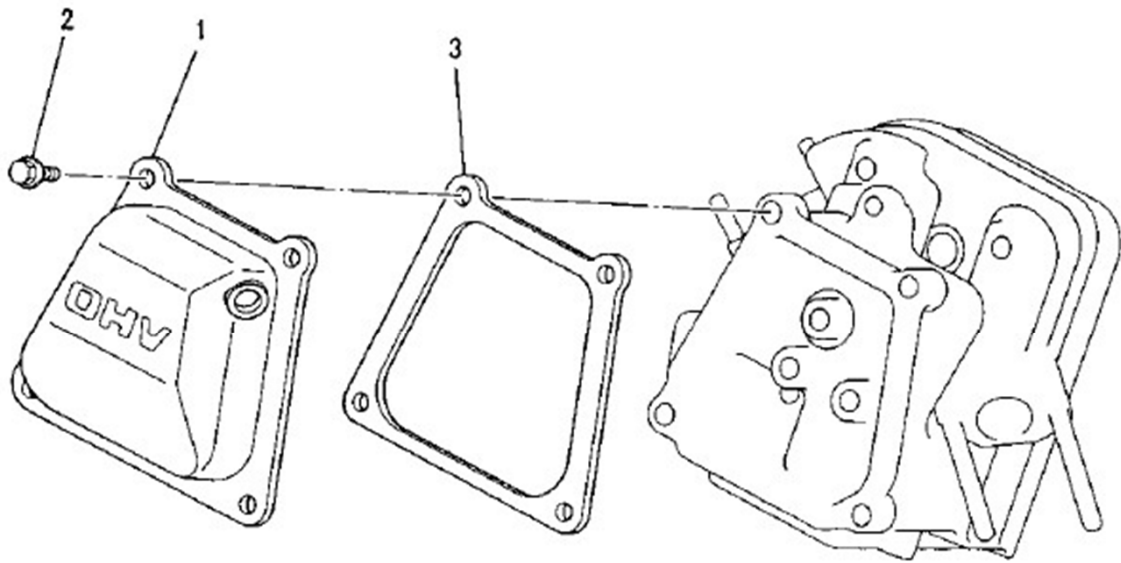
MARK1: WITH B151B06X085/B151B08X020/5/6/7/8/14/15

(B) CYLINDER HEAD GROUP



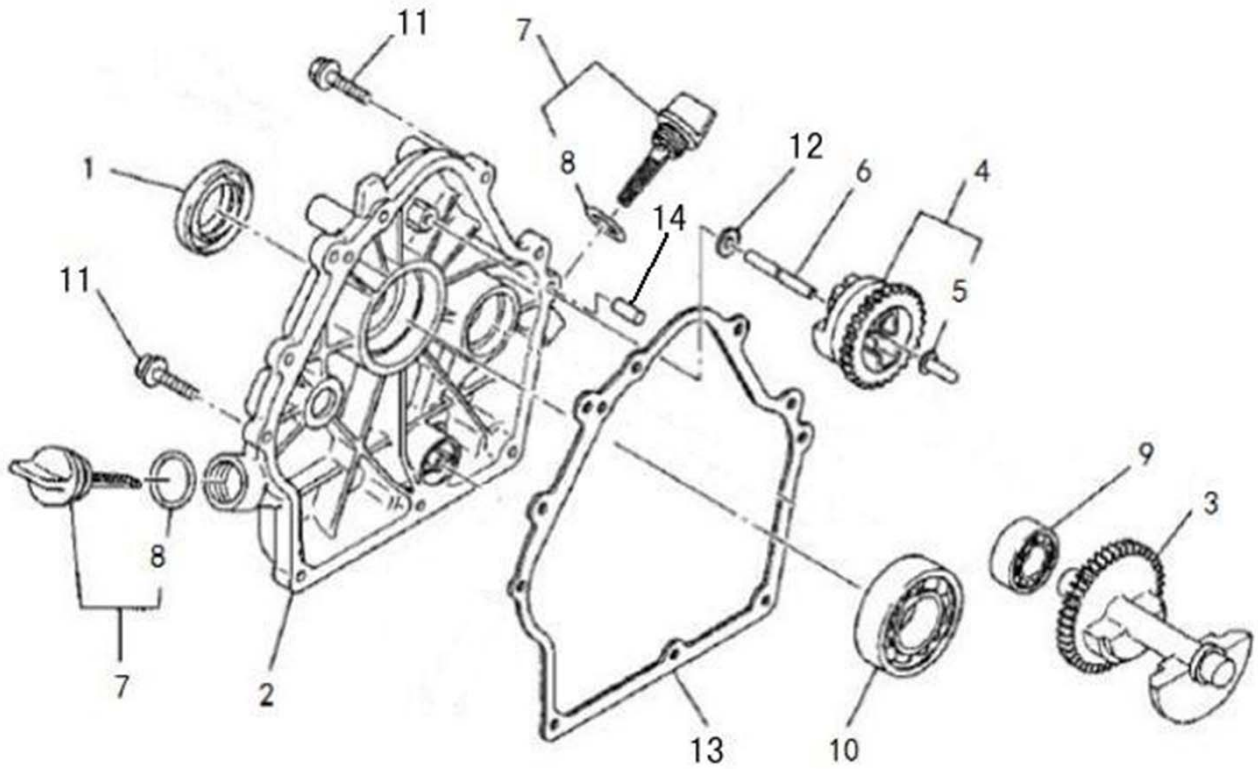
No.	Parts No.	Parts Name	No.Req'd	Inte Remarks	Assy No.	Price
13	KV75006AA	PLATE 板	1			
14	KV75010AA	COTTER 锁片	4			
15	KW21024AA	SEAL,VALVE STEM 气门杆油封	1			
16	B800B10X065	BOLT,FLANGE 法兰螺柱	4			
17	KC66017AA	GASKET,HEAD 气缸盖垫	1			

(C) HEAD COVER GROUP



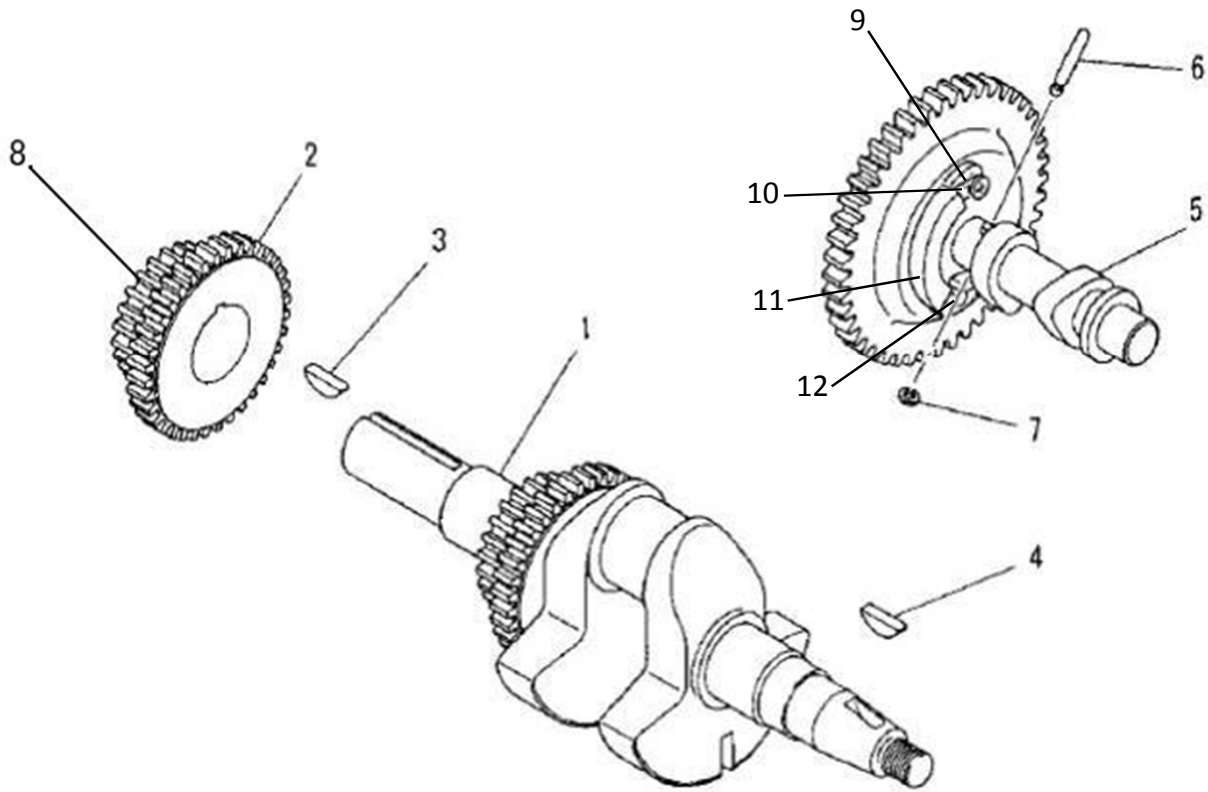
No.	Parts No.	Parts Name		No.Req'd	Inte Remarks	Assy No.	Price	
1	KC09017AA	HEAD COVER ASSY	气缸罩总成	1				
2	B800A06X012	BOLT,FLANGE	法兰螺柱	4				
3	KW33002AA	GASKET,HEAD COVER	气门室盖垫	1				

(D) CASE COVER GROUP



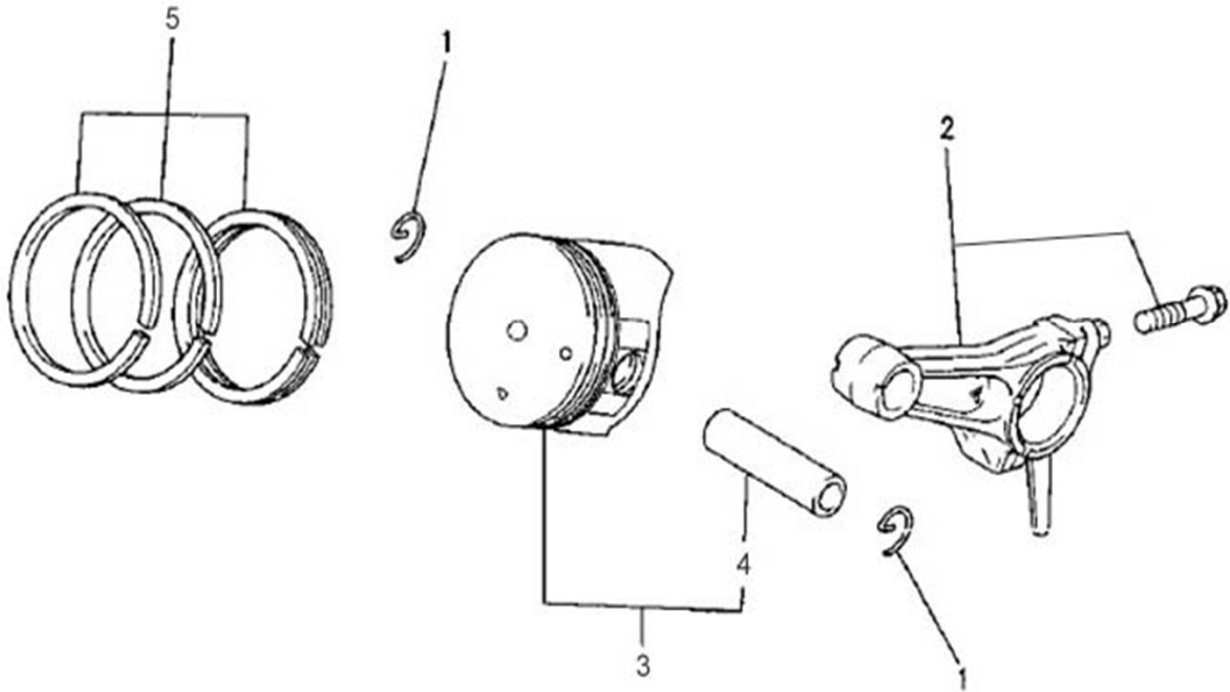
No.	Parts No.	Parts Name	No.Req'd	Inte Remarks	Assy No.	Price
1	BA29008	OIL SEAL 油封	1			
2	KB66011AB	COVER,CRANKCASE 箱体侧盖	1	WITH 1/4/5/6/9/10/12	LB66011AB	
3	KD51008BA	SHAFT,BALANCER 平衡轴	1			
4	BG01003BA	GOVERNOR GEAR ASSY 调速器齿轮总成	1			
5	BG14005AA	SLIDER,GOV 滑套	1			
6	KG22022AA	SHAFT,GOV 调速轴	1			
7	KL21019AA001	GAUGE,OIL 游标尺盖	2	WITH 8		
8	KW29006AA	O-RING O型圈	2			
9	S111X62X030	BEARING,BALL 轴承	1	#6203		
10	S111X62X060	BEARING,BALL 轴承	1	#6206		
11	B800B08X030	BOLT,FLANGE 法兰螺柱	9			
12	W200H06	WASHER 垫圈	1			
13	KW31007AA	GASKET,CRANKCASE 曲轴箱垫	1			
14	KU44001AA	PIN,DOWEL 定位销	2			

(E) CRANKSHAFT GROUP



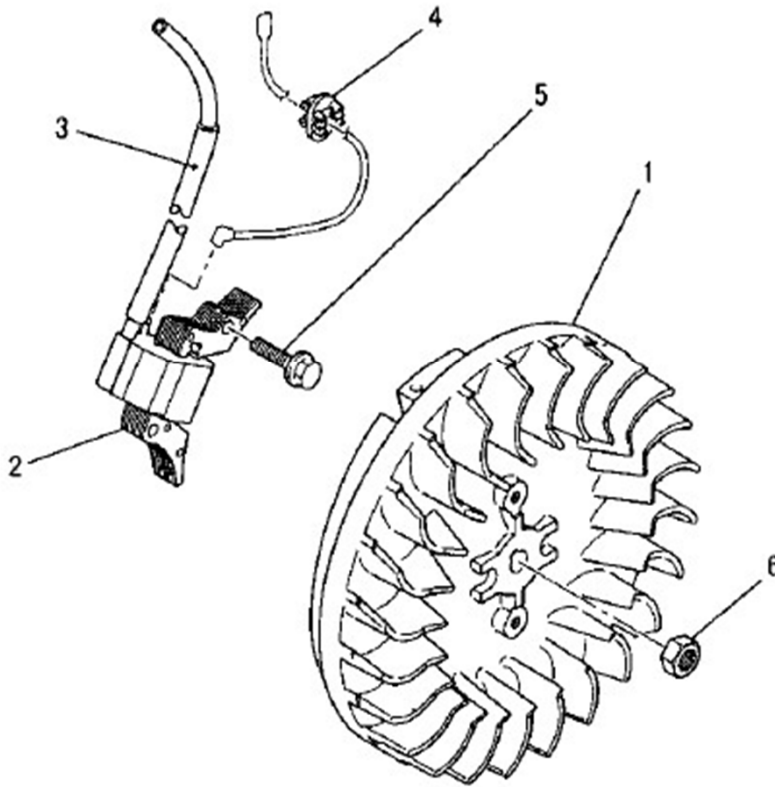
No.	Parts No.	Parts Name	No.Req'd	Inte Remarks	Assy No.	Price
1	KD28025AA	CRANKHAFT 曲轴	1	WITH 2/3/8	LD28025AA	
2	KD63058AB	GEAR,BALANCER 平衡轴齿轮	1			
3	KD90012AA	KEY,WOODRUFF 半圆键	1			
4	W430B05X016	KEY,WOODRUFF 半圆键	1			
5	KV15010AA	CAMSHAFT 凸轮轴	1	WITH 5/6/7/9/10/11/12	LV15010AA	
6	KV83010FE	PIN 销	1			
7	S500P03	SNAP RING E型挡圈	1			
8	KD63057AB	GEAR,CRANKSHAFT 曲轴正时齿轮	1			
9	KV81005AA	SPRING 回位弹簧	1			
10	KV84008AA	RIVET 铆钉	1			
11	KV82011AA	FLYWEIGHT 减压飞块	1			
12	KV84010AA	RIVET 铆钉	1			

(F) PISTON & ROD GROUP



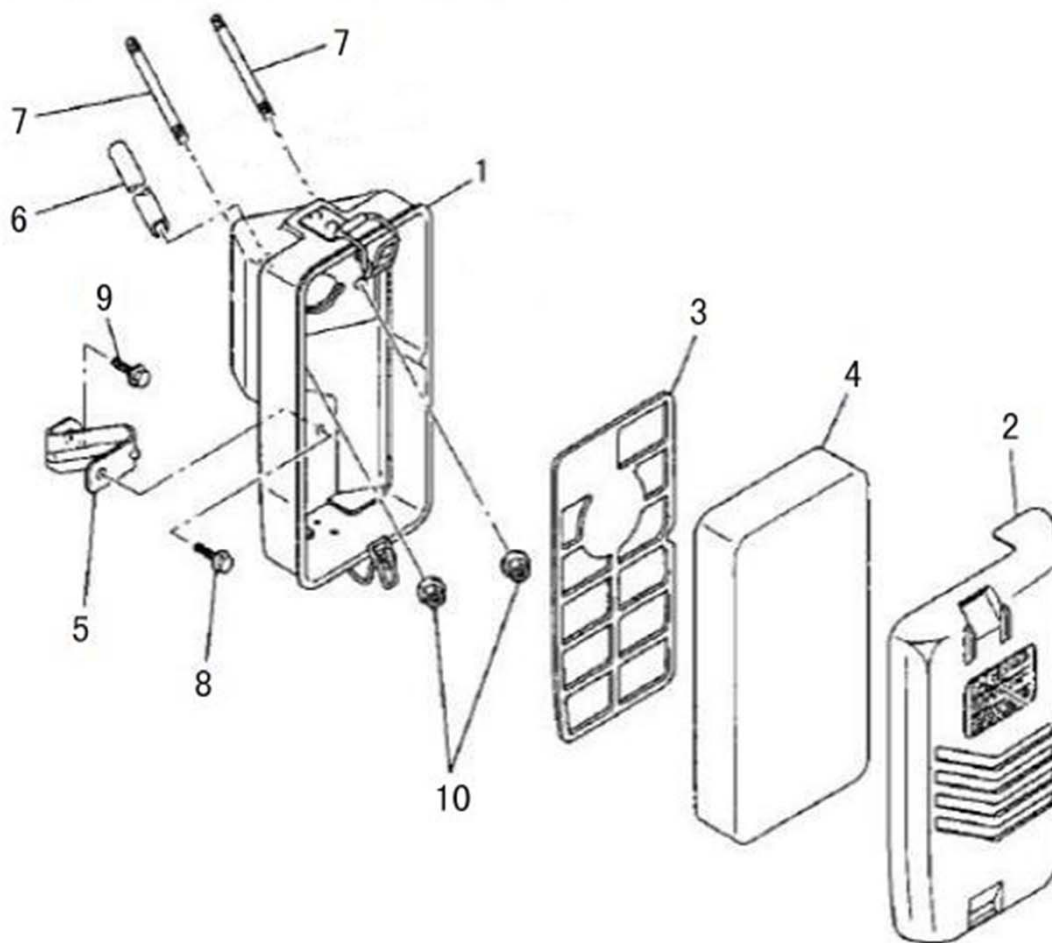
No.	Parts No.	Parts Name	No.Req'd	Inte Remarks	Assy No.	Price
1	KP90006AA	CLIP,PISTON PIN 活塞销卡环	2			
2	BD03035AA	CONNECTING ROD ASSY 连杆总成	1			
3	BP17012AA	PISTON 活塞	1			
4	KP57002AA	PIN,PISTON 活塞销	1			
5	KP27007AA	RING,TOP 顶环	1		LP27007AA	
	KP37005AA	RING,2ND 二环	1			
	KP47005AA	RING,OIL 油环	1			

(G) MAGNET GROUP



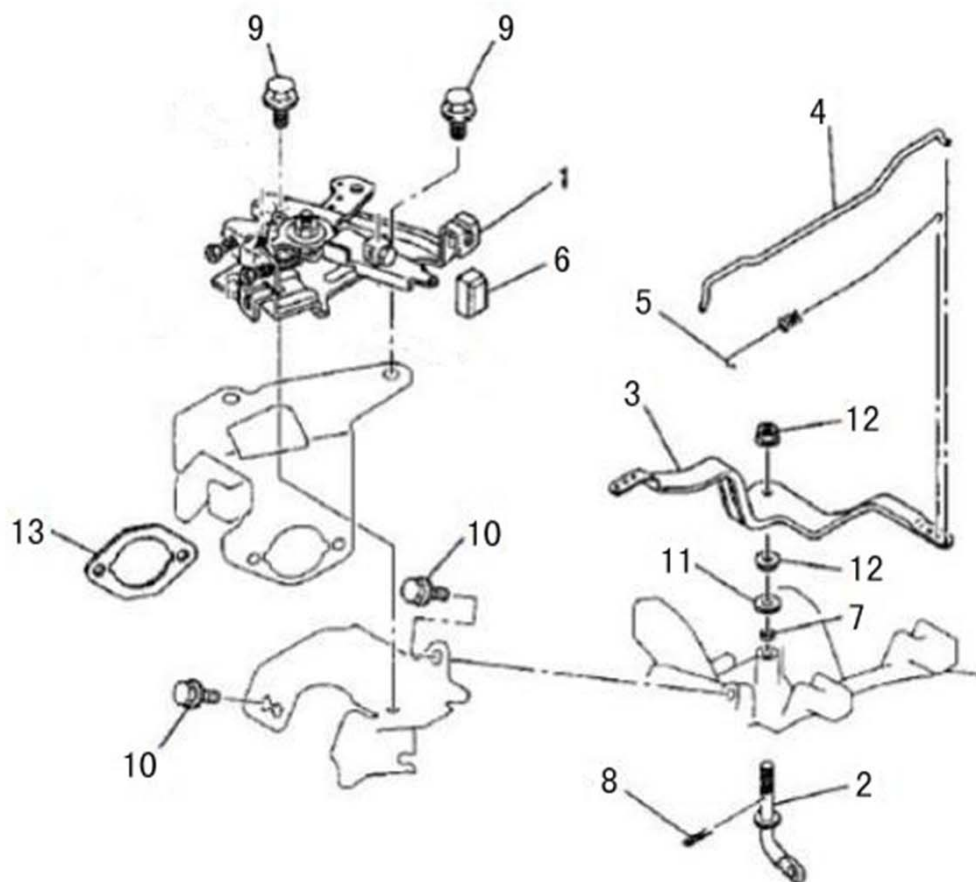
No.	Parts No.	Parts Name	No.Req'd	Inte Remarks	Assy No.	Price
1	KE12044AA	FLYWHEEL 飞轮	1			
2	XKG19618A	COIL,IGNITION 点火线圈	1			
3	KE90073AA	TUBE 高压线护管	1			
4	KU70007AA	CLIP 夹子	1			
5	B800A06X030	BOLT,FLANGE 法兰螺柱	2			
6	FR41231	NUT 螺母	1			

(H) AIR CLEANER GROUP



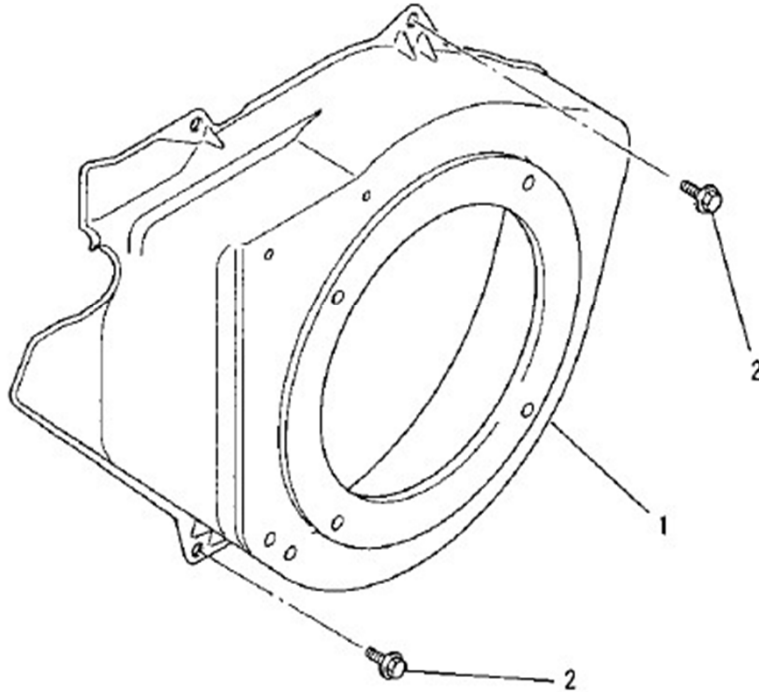
No.	Parts No.	Parts Name	No.Req'd	Inte Remarks	Assy No.	Price
1	KA11041AA	CASE,CLEANER 空滤气体	1			
2	BA20045AA	COVER,CLEANER 空滤器罩	1			
3	KA30016AA	GRID 滤芯挡板	1			
4	KA40059AA	ELEMENT,CLEANER 空滤器芯	1			
5	KA90182AA	BRACKET 支架	1			
6	KL41005JA	TUBE,BREATHER 通气管	1			
7	B151B06X085	BOLT,STUD 法兰螺柱	2			
8	B800A06X008	BOLT,FLANGE 法兰螺柱	1			
9	B800A06X012	BOLT,FLANGE 法兰螺柱	1			
10	N801A06	NUT,FLANGE 法兰螺母	2			

(J) CONTROL PANEL GROUP



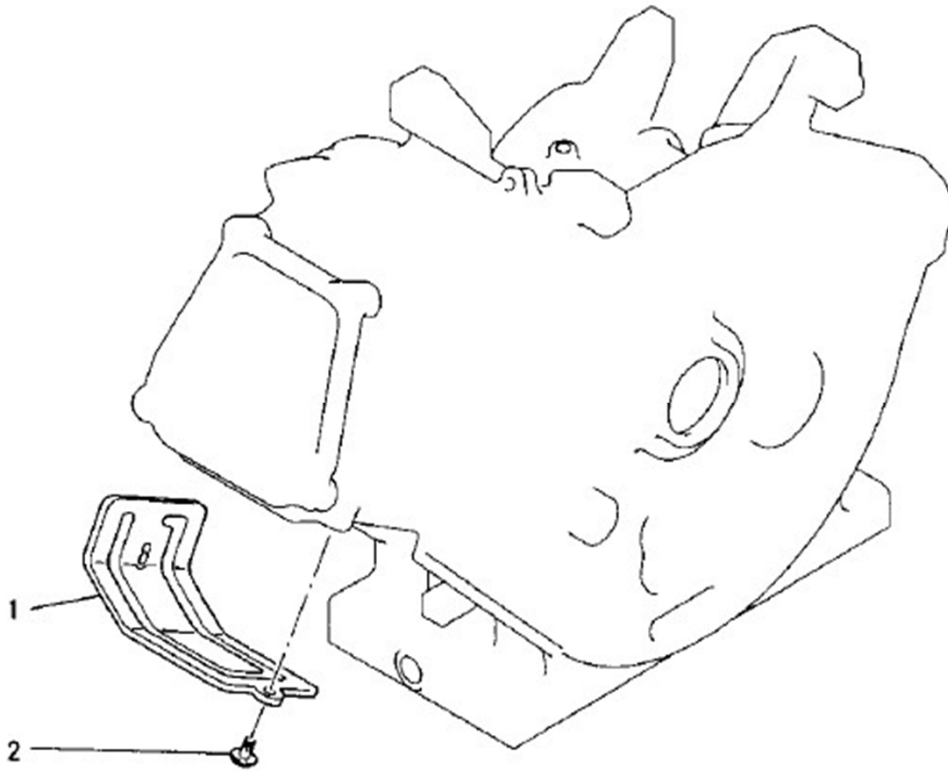
No.	Parts No.	Parts Name	No.Req'd	Inte Remarks	Assy No.	Price
1	KG03059BA	CONTROL PANEL ASSY 控制板总成	1			
2	BG22025AA	SHAFT,GOV 调速摇臂轴	1			
3	KG31034AA	LEVER,GOV 调节杆	1			
4	KG41011AA	ROD,GOV 调速器拉杆	1			
5	KG42038AA	SPRING,ROD 调速拉杆弹簧	1			
6	KG90014AA	CAP 帽	1			
7	KG90016AA	SEAL,DUST 防尘密封垫	1			
8	KU70006BA	CLIP 夹子	1			
9	B800A06X012	BOLT,FLANGE 法兰螺柱	3			
10	B800A06X012	BOLT,FLANGE 法兰螺柱	2			
11	KG90015AA	WASHER 垫圈	1			
12	KU24002AA	NUT 螺母	2			
13	KW34005AA	GAKET,CARBURETOR 化油器垫	1			

(K) FAN COVER GROUP



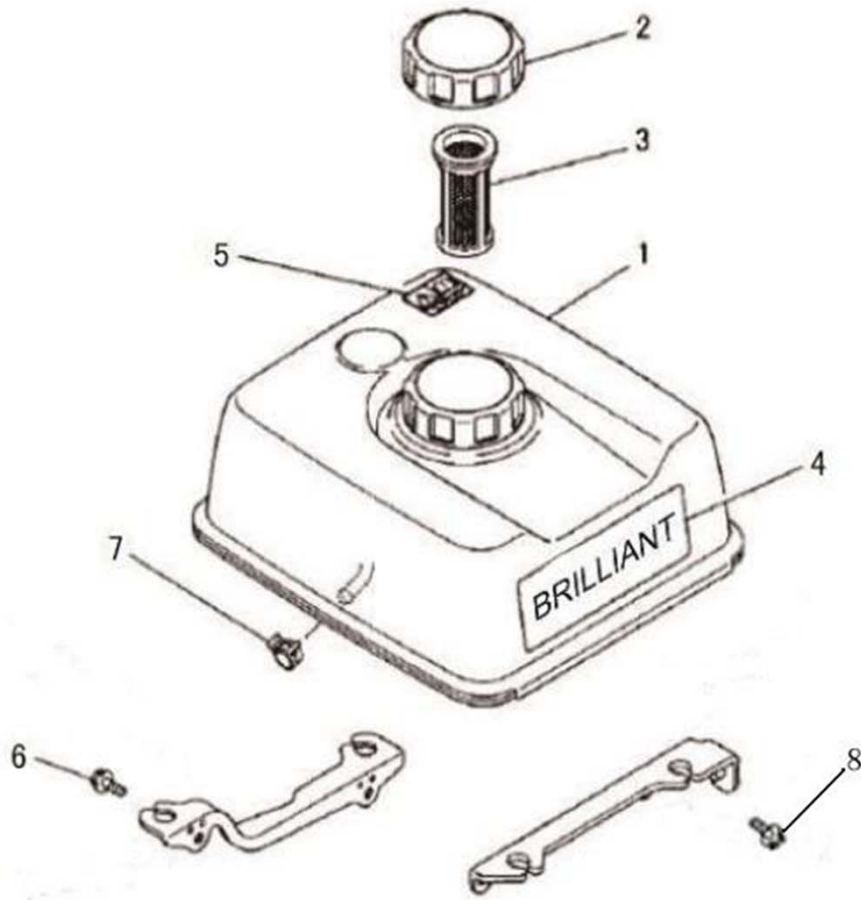
No.	Parts No.	Parts Name	No.Req'd	Inte Remarks	Assy No.	Price
1	KH28035AA	COVER,FAN 风扇罩	1			
2	B800A06X012	BOLT,FLANGE 法兰螺柱	4			

(L) CYLINDER COVER GROUP



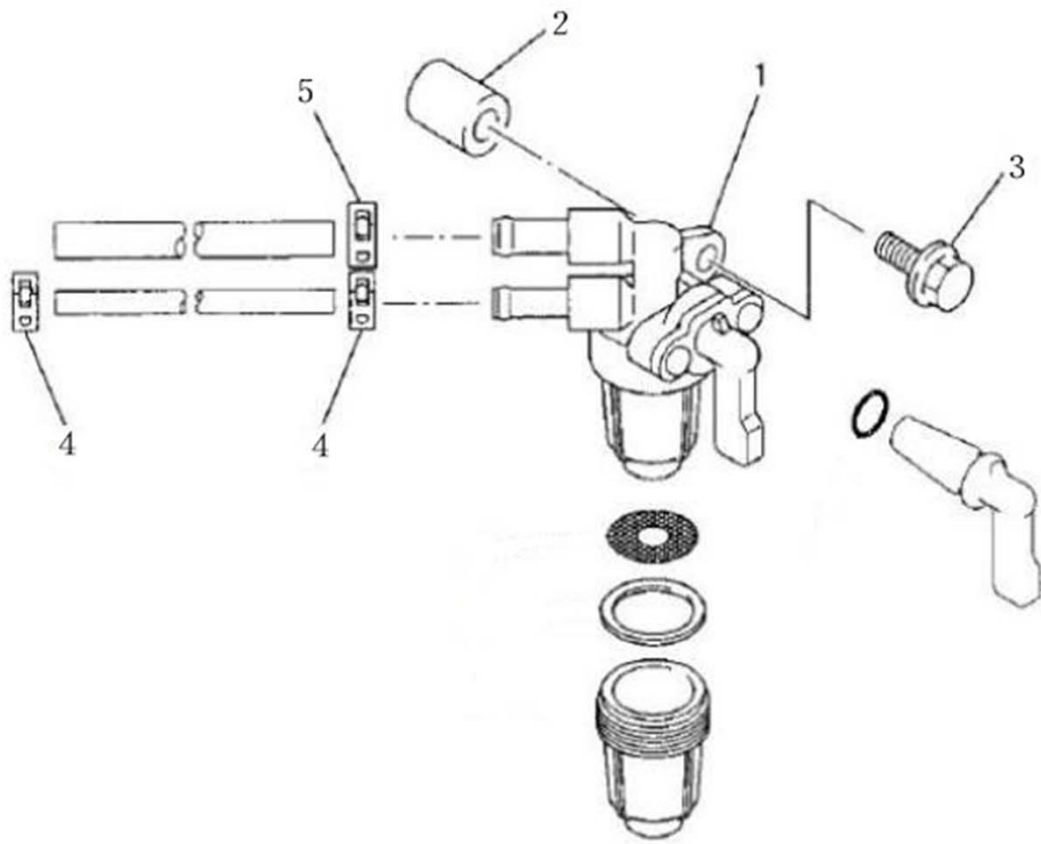
No.	Parts No.	Parts Name		No.Req'd	Inte Remarks	Assy No.	Price	
1	KH40020AA	COVER,CYLINDER	气缸罩	1				
2	B800A06X012	BOLT,FLANGE	法兰螺柱	2				

(M) TANK GROUP



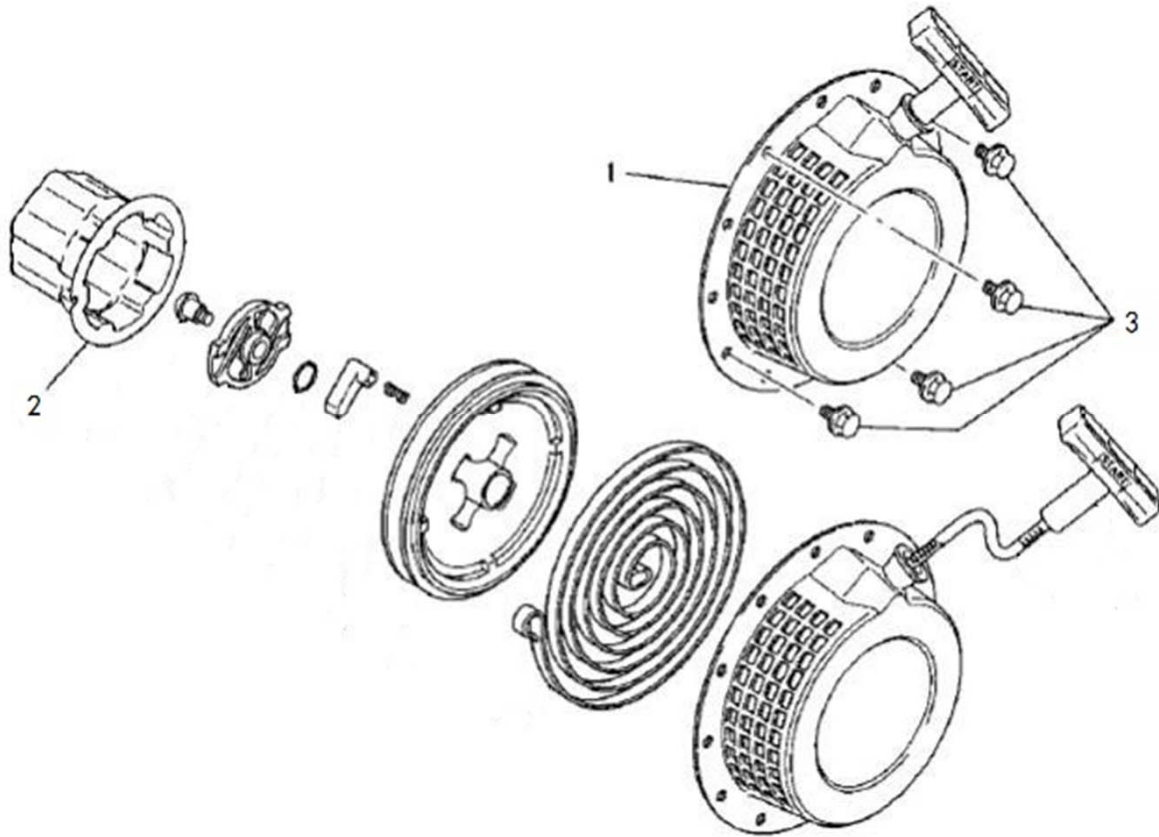
No.	Parts No.	Parts Name	No.Req'd	Inte Remarks	Assy No.	Price
1	BF04157AA	TANK FUEL 油箱总成	1			
2	KF22003AA	CAP,FUEL TANK 油箱盖	1			
3	KF40016AA	FILTER,FUEL 燃油过滤杯	1			
4	BW55113BA	LABEL 长标贴	1			
5	KW55042AA	LABEL 警示标贴	1			
6	B800A06X016	BOLT,FLANGE 法兰螺柱	3			
7	KU70021AA	CLIP 夹子	1			
8	B800A06X016	BOLT,FLANGE 法兰螺柱	1			

(N) COCK GROUP



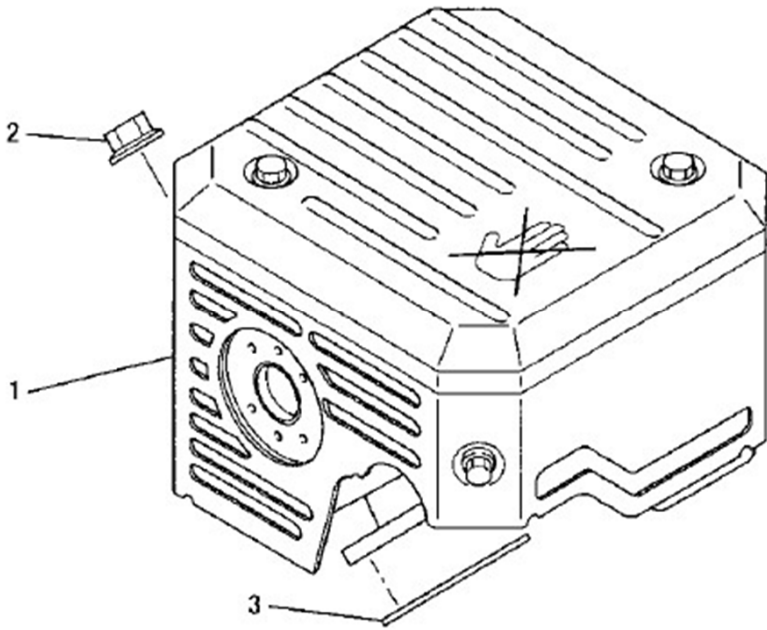
No.	Parts No.	Parts Name		No.Req'd	Inte Remarks	Assy No.	Price	
1	KF31036AA	COCK,FUEL	燃油开关	1				
2	KF90105AA	SPACER	隔板	1				
3	B800A06X025	BOLT,FLANGE	法兰螺柱	1				
4	KU70022AA	CLIP	夹子	2				
5	KU70021AA	CLIP	夹子	1				

(R) RECOIL STARTER GROUP



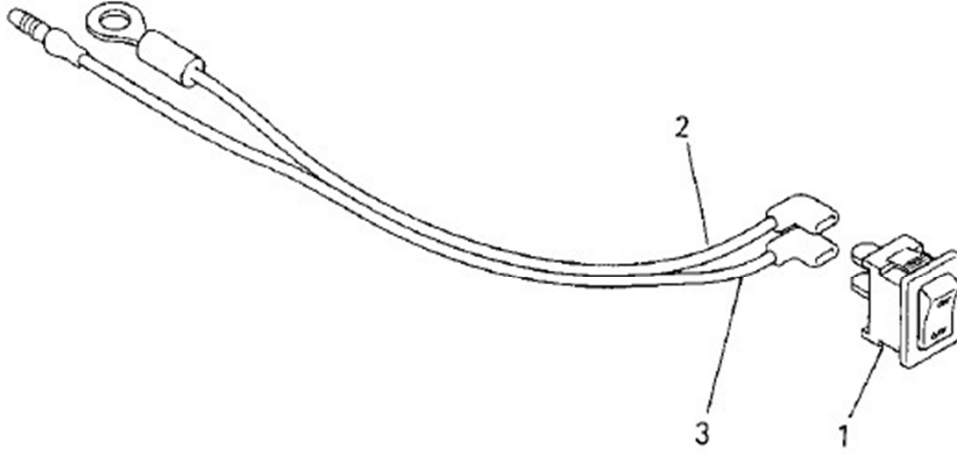
No.	Parts No.	Parts Name	No.Req'd	Inte Remarks	Assy No.	Price
1	KS20173AD	RECOIL STARTER ASSY 启动拉盘	1			
2	KS30067AA	PULLEY,STARTER 启动杯	1			
3	B800A06X008	BOLT,FLANGE 法兰螺柱	4			

(S) MUFFLER GROUP



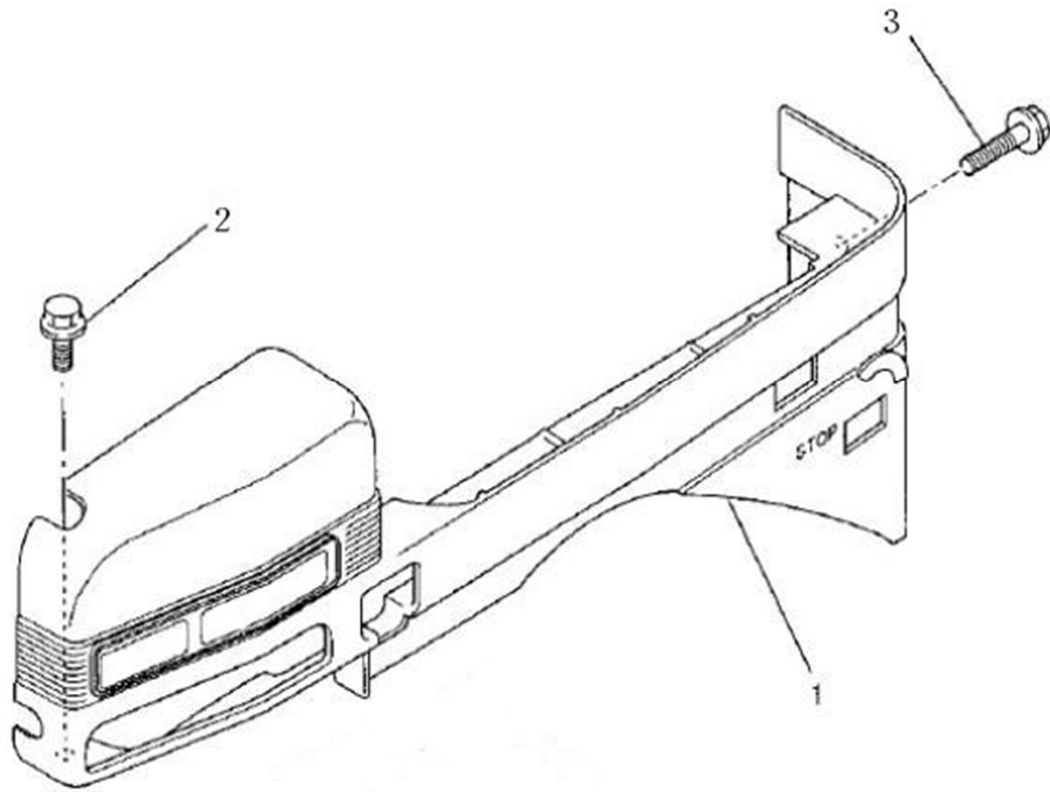
No.	Parts No.	Parts Name		No.Req'd	Inte Remarks	Assy No.	Price	
1	KM02166AA	MUFFLER ASSY	消音器总成	1				
2	ZZ70028C	NUT, CONICAL SPG	圆锥面螺母	2				
3	KM70084AA	GASKET, MUFFLER	消音器垫	1				

(U) SWITCH GROUP



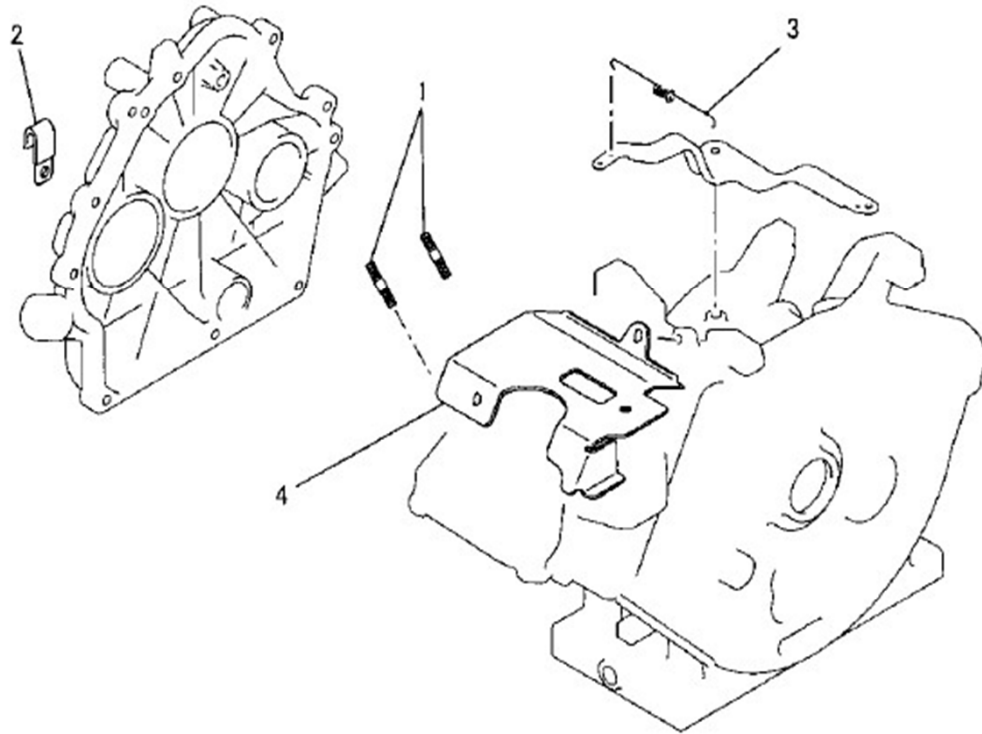
No.	Parts No.	Parts Name	No.Req'd	Inte Remarks	Assy No.	Price
1	KE80033BA	SWITCH,STOP 停机开关	1			
2	KE90190AA	WIRE,LEAD 导线	1			
3	KE90191AA	WIRE,LEAD 导线	1			

(X) COVER GROUP



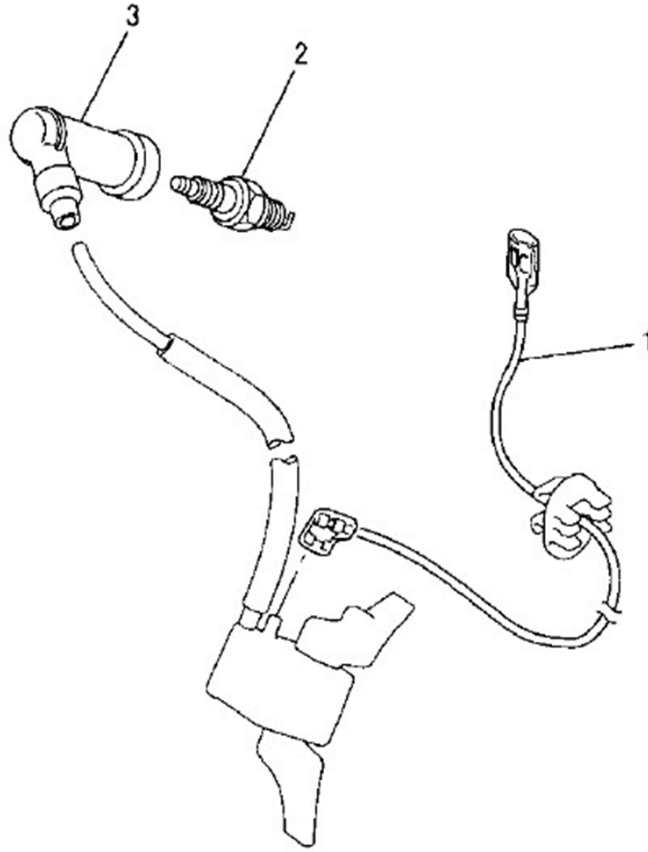
No.	Parts No.	Parts Name		No. Req'd	Inte Remarks	Assy No.	Price	
1	BR04015AA	COVER,FRONT	前罩	1				
2	B800A06X016	BOLT,FLANGE	法兰螺柱	1				
3	B800A06X030	BOLT,FLANGE	法兰螺柱	1				

1. BOLT, CLAMP, SPRING, COVER



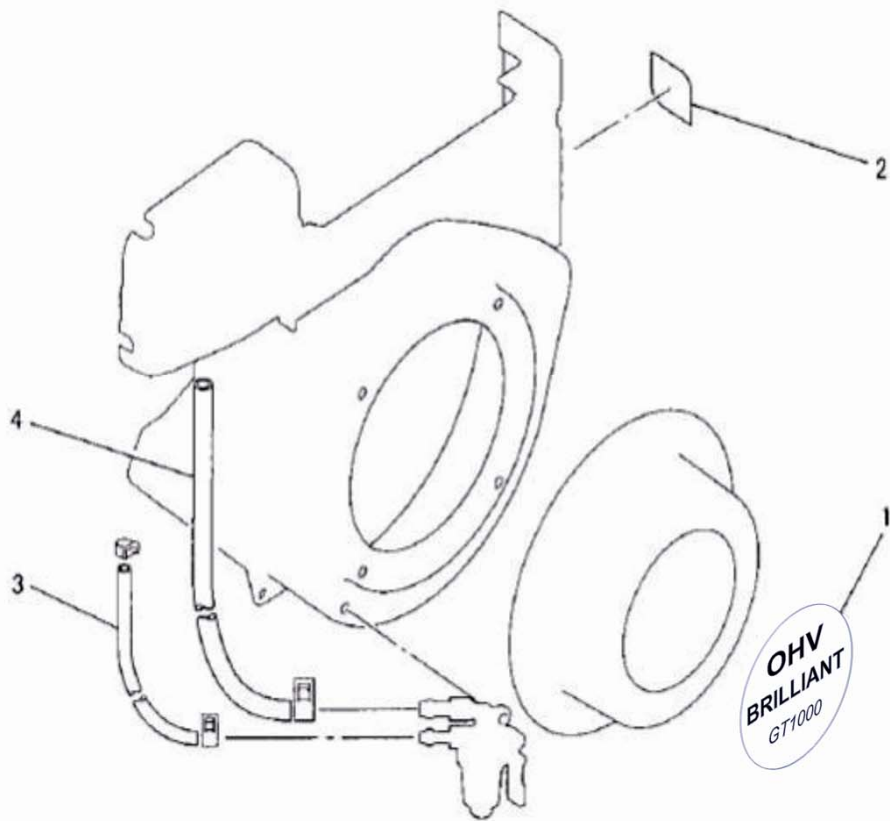
No.	Parts No.	Parts Name		No.Req'd	Inte Remarks	Assy No.	Price
1	B151B08X020	BOLT,STUD	法兰螺柱	2			
2	FR56780	CLAMP	夹子	1			
3	KG34054AA	SPRING,GOV	调速器弹簧	1			
4	KH40037AA	COVER,TOP	顶罩	1			

2. LEAD WIRE, PLUG, CAP



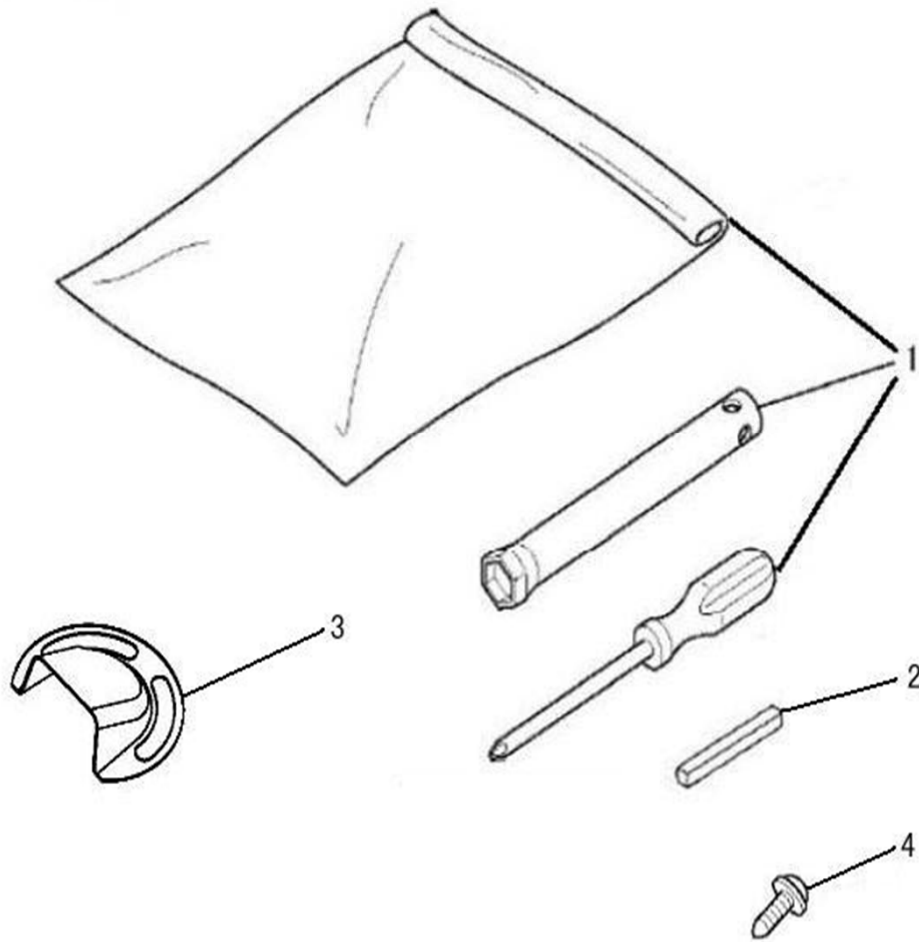
No.	Parts No.	Parts Name	No.Req'd	Inte Remarks	Assy No.	Price
1	KE90069AA	WIRE,LEAD 导线	1			
2	BE41005AB	PLUG,SPARK 火花塞	1			
3	BE42030AA	CAP,PLUG 火花塞帽	1			

3. LABEL, FUEL HOSE



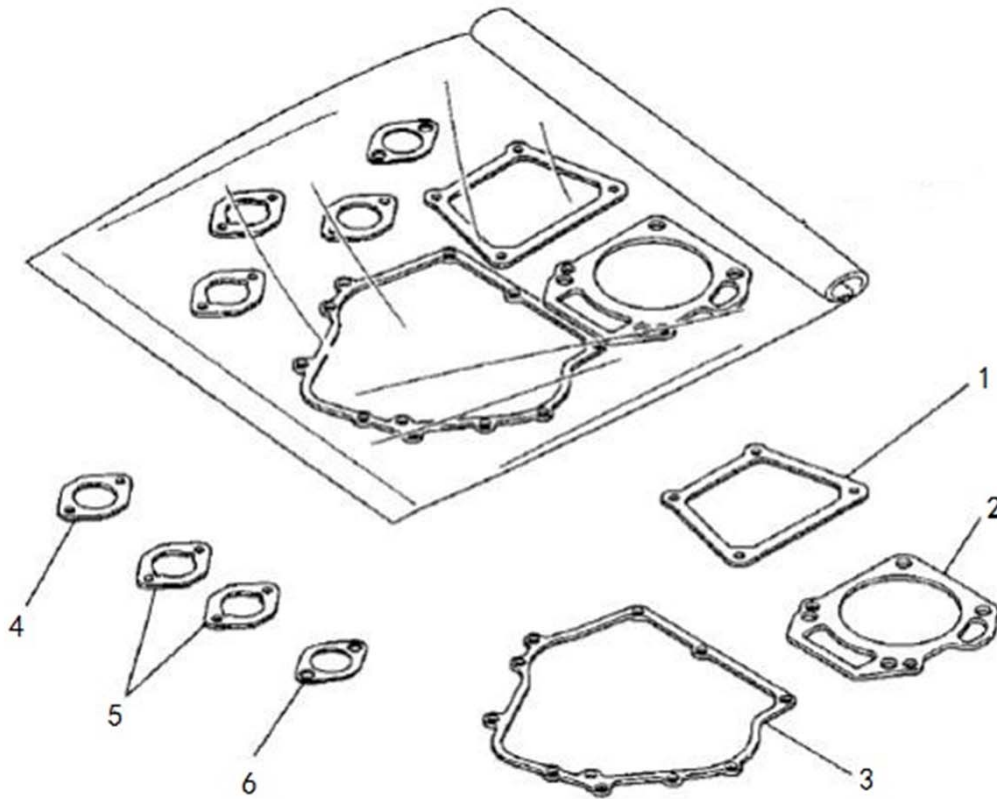
No.	Parts No.	Parts Name		No.Req'd	Inte Remarks	Assy No.	Price	
1	BW52378AA	LABEL,NAME	圆标贴	1				
2	BW56395DA	LABEL	排放标贴	1				
3	P051Y04X220	HOSE,FUEL	燃油管	1				
4	P051Y08X470	HOSE,FUEL	燃油管	1				

4. TOOL SET



No.	Parts No.	Parts Name		No.Req'd	Inte Remarks	Assy No.	Price	
1	KN01018CA	TOOL SET	工具组件	1				
2	KN20004HA	KEY,SUNK	平键	1				
3	FA28221	PIPE,TAIL	导风罩	1				
4	W006D04X006K	SCREW	自攻螺钉	2				

5. GASKET SET



No.	Parts No.	Parts Name	No.Req'd	Inte Remarks	Assy No.	Price
1	KW33002AA	GASKET,HEAD COVER 气门室盖垫	1			
2	KC66017AA	GASKET,HEAD 气缸盖垫	1			
3	KW31007AA	GASKET,CRANKCASE 曲轴箱垫	1			
4	KW34085AA	GASKET,CARBURETOR 化油器垫	1			
5	KW34005AA	GASKET,CARBURETOR 化油器垫	2			
6	KM70084AA	GASKET,MUFFLER 消音器垫	1			