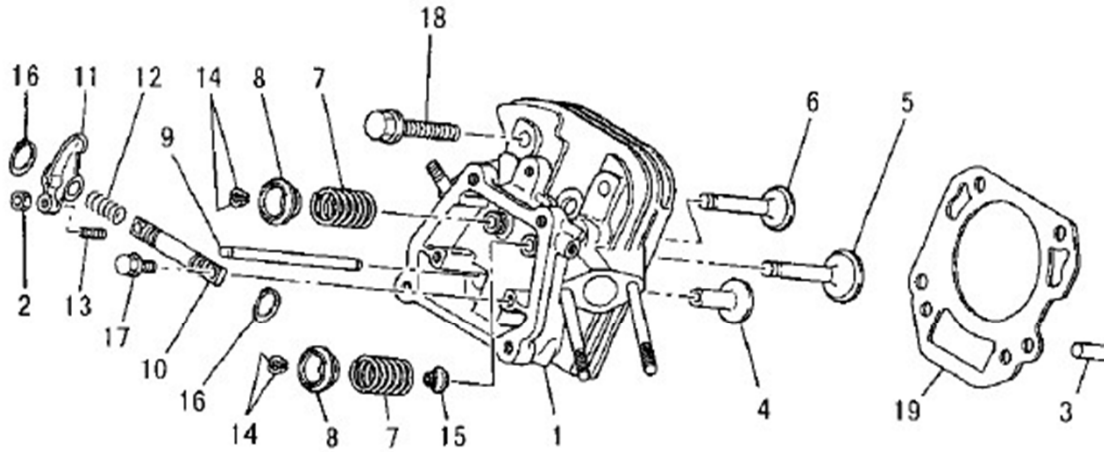


PARTS CATALOG 零件目录

**BRILLIANT AIR-COOLED
GASLINE ENGINE
博联风冷汽油发动机**

MODEL 型号: GT1300PN-CTZ

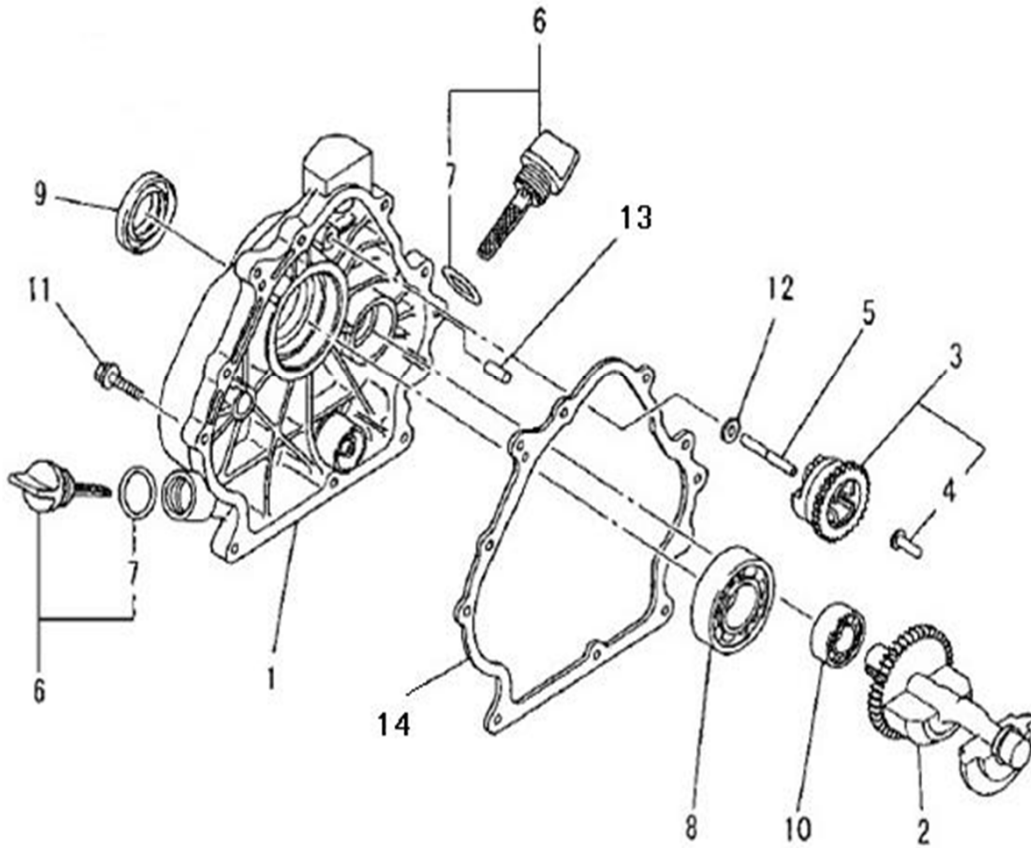
(B) CYLINDER HEAD GROUP



No.	Parts No.	Parts Name	No.Req'd	Inte Remarks	Assy No.	Price
1	KC02066AA	CYLINDER HEAD ASSY 气缸盖总成	1	MARK 1	LC02066AA	
2	FR46870	NUT 螺母	2			
3	KU44001AA	PIN,DOWEL 定位销	2			
4	KV25001AA	TAPPET 挺柱	2			
5	KV37004AA	VALVE,INTAKE 进气门	1			
6	KV45012AA	VALVE,EXHAUST 排气门	1			
7	KV56002AA	SPRING,VALVE 气门弹簧	2			
8	KV68003AA	RETAINER,VALVE SPG 气门弹簧座	2			
9	KV71007AA	ROD,PUSH 推杆	2			
10	KV72004AA	SHAFT,ROCKER ARM 摇臂轴	1	WITH 2/11/12/13/16	LV72004AA	
11	BV72018AA	ARM,ROCKER 摇臂	2			
12	KV72006AA	SPRING,ROCKER SHAFT 摇臂轴弹簧	1			

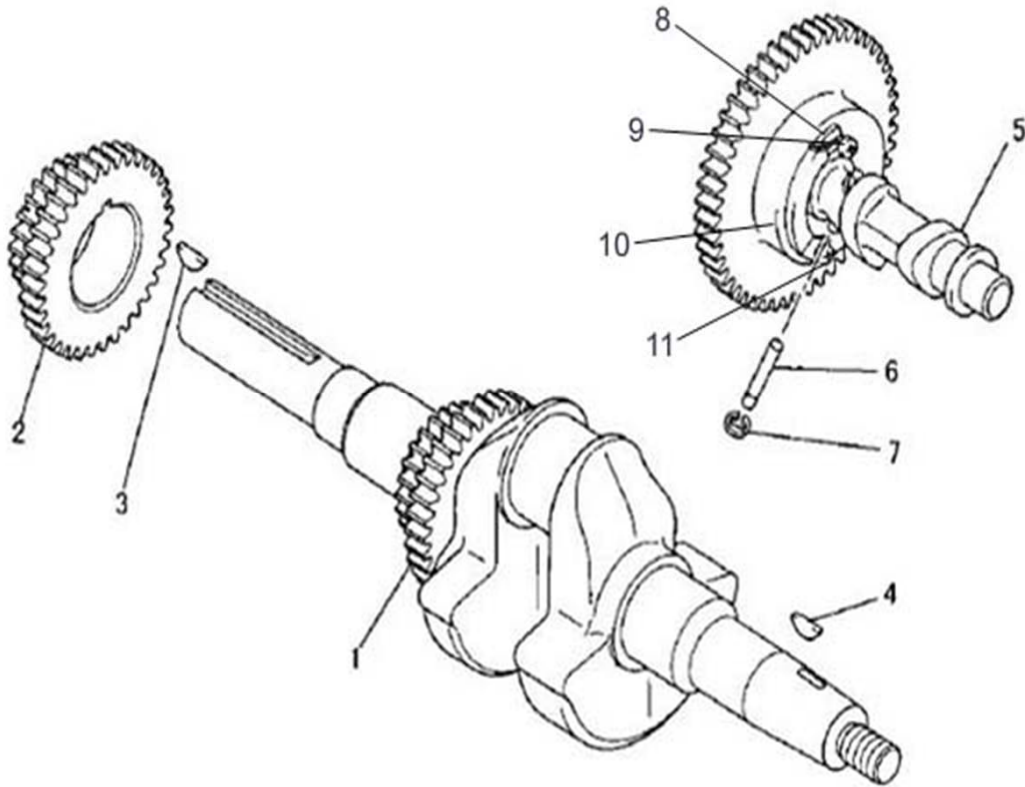
MARK 1: WITH B151B06X100/B151B08X020/5/6/7/8/14/15

(D) CASE COVER GROUP



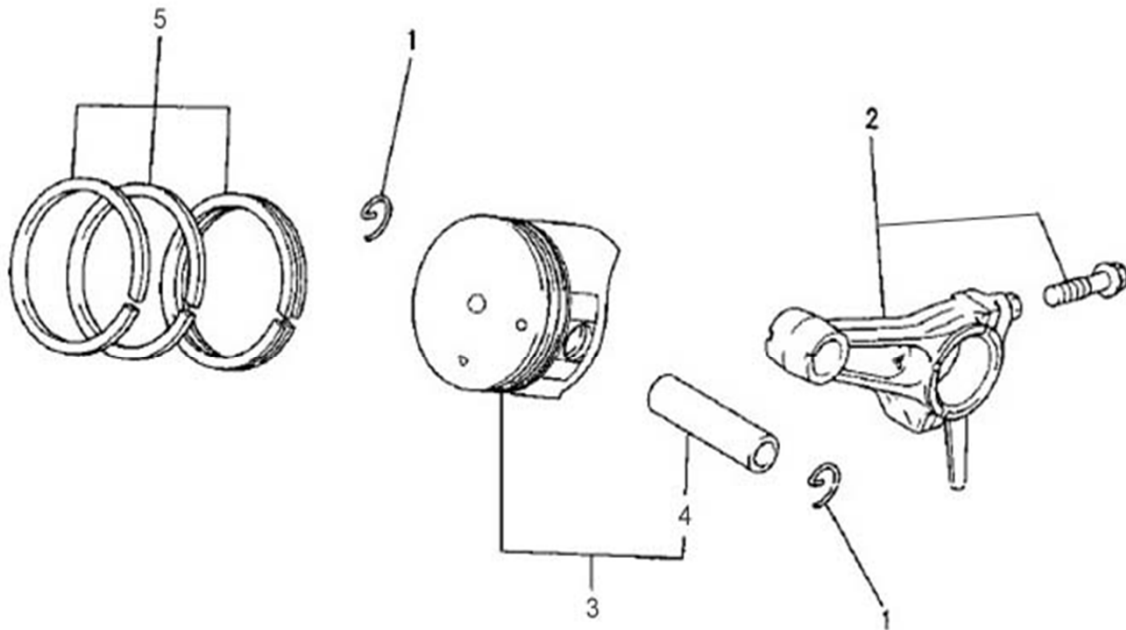
No.	Parts No.	Parts Name	No.Req'd	Inte Remarks	Assy No.	Price
1	KB67005EA	COVER,CRANKCASE 箱体侧盖	1	WITH 2/4/5/8/9/10/12	LB67005EA	
2	KD51005AA	SHAFT,BALANCER 平衡轴	1			
3	BG01003CA	GOVERNOR GEAR ASSY 调速器齿轮总成	1			
4	BG14005AA	SLIDER,GOV 滑套	1			
5	KG22022AA	SHAFT,GOV 调速轴	1			
6	KL21018AA001	GAUGE,OIL 机油标尺	2	WITH 7		
7	KW29006AA	O-RING O型圈	2			
8	S111X62X070	BEARING,BALL 轴承	1	#6207		
9	BW29002AA	OIL SEAL 油封	1			
10	S111X62X030	BEARING,BALL 轴承	1	#6203		

(E) CRANKSHAFT GROUP



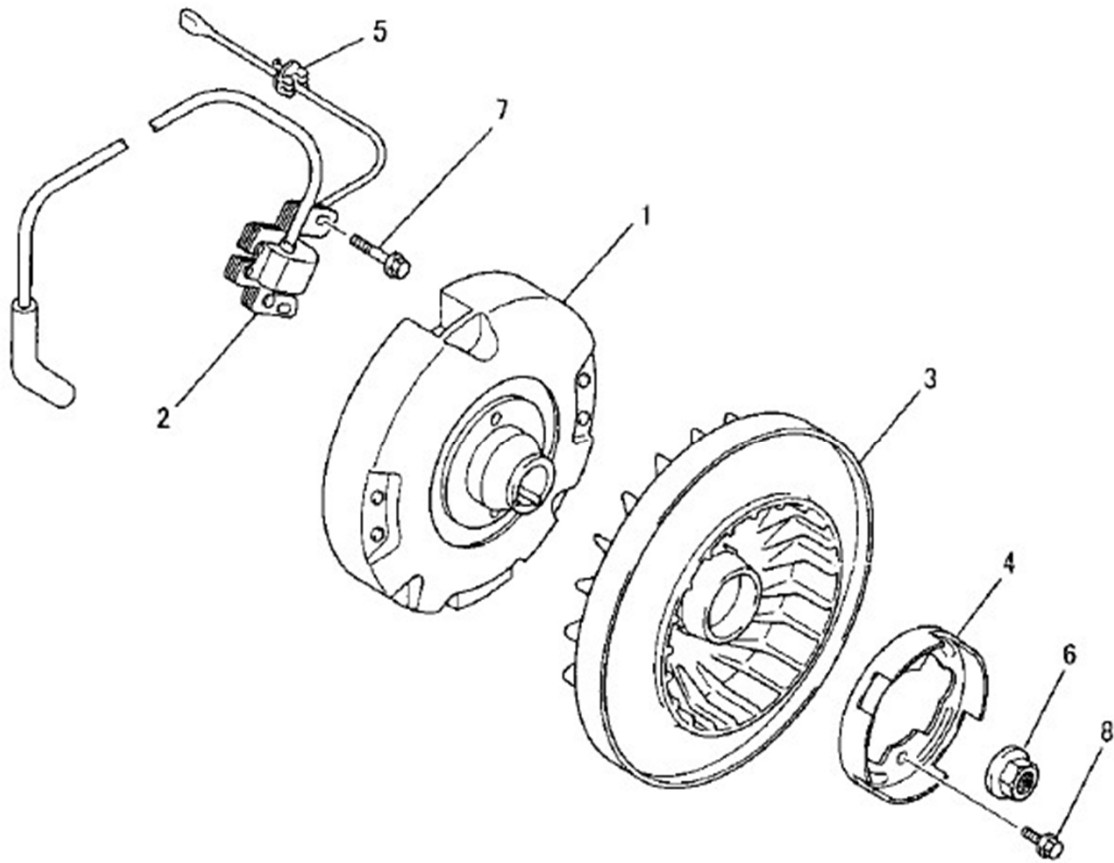
No.	Parts No.	Parts Name	No.Req'd	Inte Remarks	Assy No.	Price
1	KD28026AA	CRANKHAFT 曲轴	1	WITH 2/3	LD28026AA	
2	BD63063AA	GEAR,CRANKSHAFT 曲轴正时齿轮	1			
3	KD90012AA	KEY,WOODRUFF 半圆键	1			
4	W430B05X016	KEY,WOODRUFF 半圆键	1			
5	KV15011AA	CAMSHAFT 凸轮轴	1	WITH 6/7/8/9/10/11	LV15011AA	
6	KV83010FE	PIN 销	1			
7	S500P03	SNAP RING E型挡圈	1			
8	KV81005AA	SPRING 回位弹簧	1			
9	KV84008AA	RIVET 铆钉	1			
10	KV82011AA	FLYWEIGHT 减压飞快	1			
11	KV84010AA	RIVET 铆钉	1			

(F) PISTON & ROD GROUP



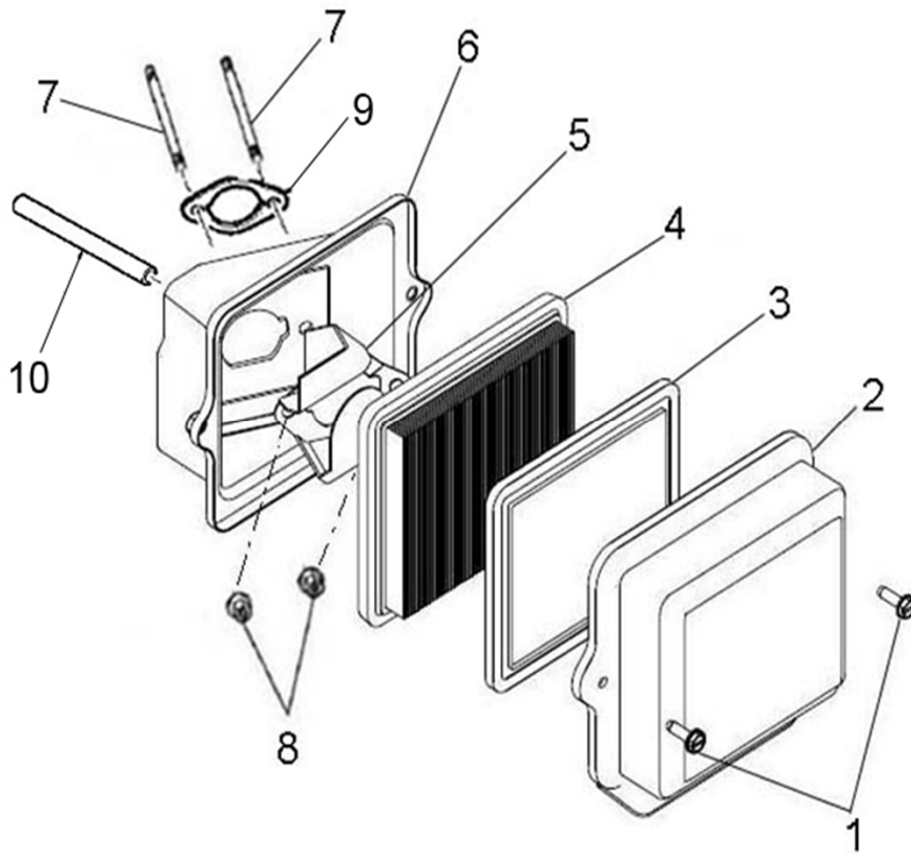
No.	Parts No.	Parts Name	No.Req'd	Inte Remarks	Assy No.	Price
1	KP90005AA	CLIP,PISTON PIN 活塞销卡环	2			
2	BD03033AA	CONNECTING ROD ASSY 连杆总成	1			
3	KP18005AA	PISTON 活塞	1			
4	KP58003AA	PIN,PISTON 活塞销	1			
5	KP28002AA	RING,TOP 顶环	1		LP28002AA	
	KP38002AA	RING,2ND 二环	1			
	KP48002AA	RING,OIL 油环	1			

(G) MAGNET GROUP



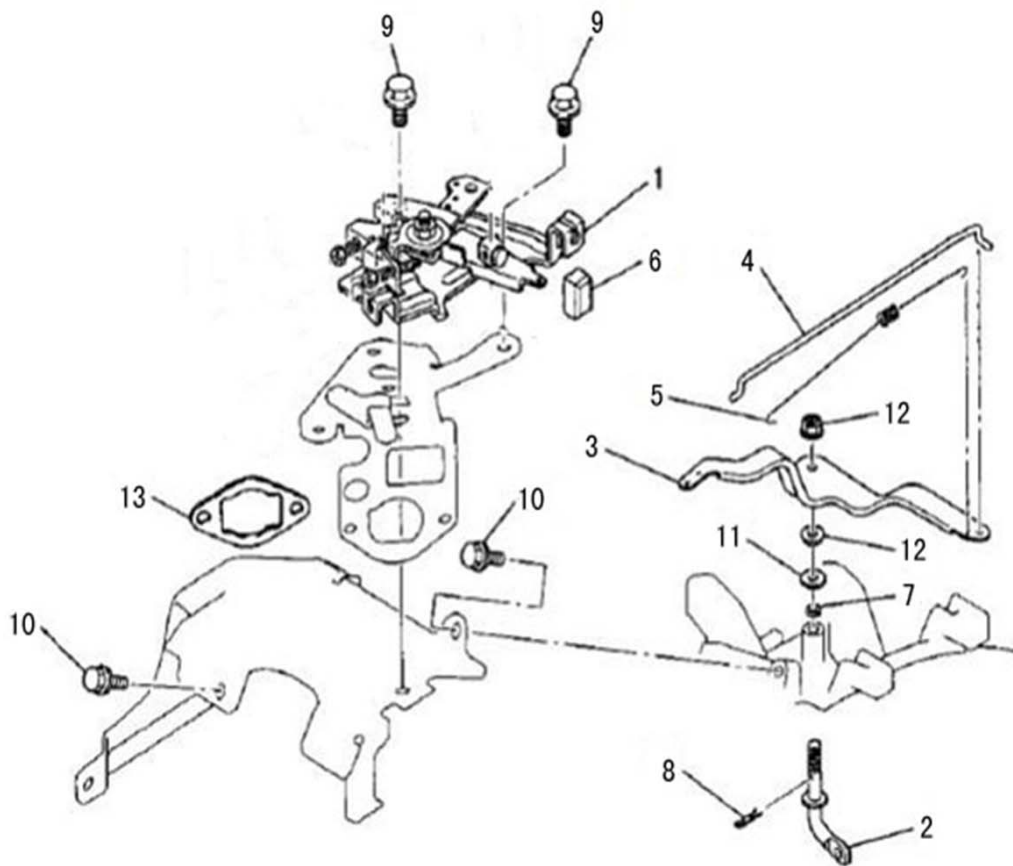
No.	Parts No.	Parts Name	No.Req'd	Inte Remarks	Assy No.	Price
1	KE12018AA	FLYWHEEL 飞轮	1			
2	KE24025AA	COIL,IGNITION 点火线圈	1			
3	KE90320AA	FAN 风扇	1			
4	KE90321AA	RETAINER 定位器	1			
5	KU70007AA	CLIP 夹子	1			
6	KU27002AA	NUT,FLANGE 法兰螺母	1			
7	KU12075AA	BOLT,FLANGE 法兰螺柱	2			
8	KU14036AA	BOLT,FLANGE 法兰螺柱	2			

(H) AIR CLEANER GROUP



No.	Parts No.	Parts Name	No.Req'd	Inte Remarks	Assy No.	Price
1	BU13019AA	BOLT,FLANGE 法兰螺柱	2			
2	BA20051AA	COVER,CLEANER 空滤器罩	1			
3	BA40068AA	ELEMENT,CLEANER 空滤器芯	1			
4	BA40086AA	ELEMENT,CLEANER 空滤器芯	1			
5	BA30029AA	GRID 滤芯挡板	1			
6	BA11044AB	CASE,CLEANER 空滤器体	1			
7	B151B06X100	BOLT,STUD 双头螺柱	2			
8	N801A06	NUT,FLANGE 法兰螺母	2			
9	KW34087AA	GASKET,CARBURETOR 化油器垫	1			
10	KL41005MA	TUBE,BREATHER 通气管	1			

(J) CONTROL PANEL GROUP



No.	Parts No.	Parts Name	No.Req'd	Inte Remarks	Assy No.	Price
1	KG03059BA	CONTROL PANEL ASSY 控制板总成	1			
2	BG22026AA	SHAFT,GOV 调速摇臂轴	1			
3	KG31032AA	LEVER,GOV 调节杆	1			
4	KG41032AA	ROD,GOV 调速器拉杆	1			
5	KG42039AA	SPRING,ROD 调速拉杆弹簧	1			
6	KG90014AA	CAP 帽	1			
7	KG90016AA	SEAL,DUST 防尘密封垫	1			
8	KU70006BA	CLIP 夹子	1			
9	B800A06X012	BOLT,FLANGE 法兰螺柱	3			
10	B800A06X012	BOLT,FLANGE 法兰螺柱	2			
11	KG90015AA	WASHER 垫圈	1			
12	KU24002AA	NUT 螺母	2			
13	KW34087AA	GAKET,CARBURETOR 化油器垫	1			

