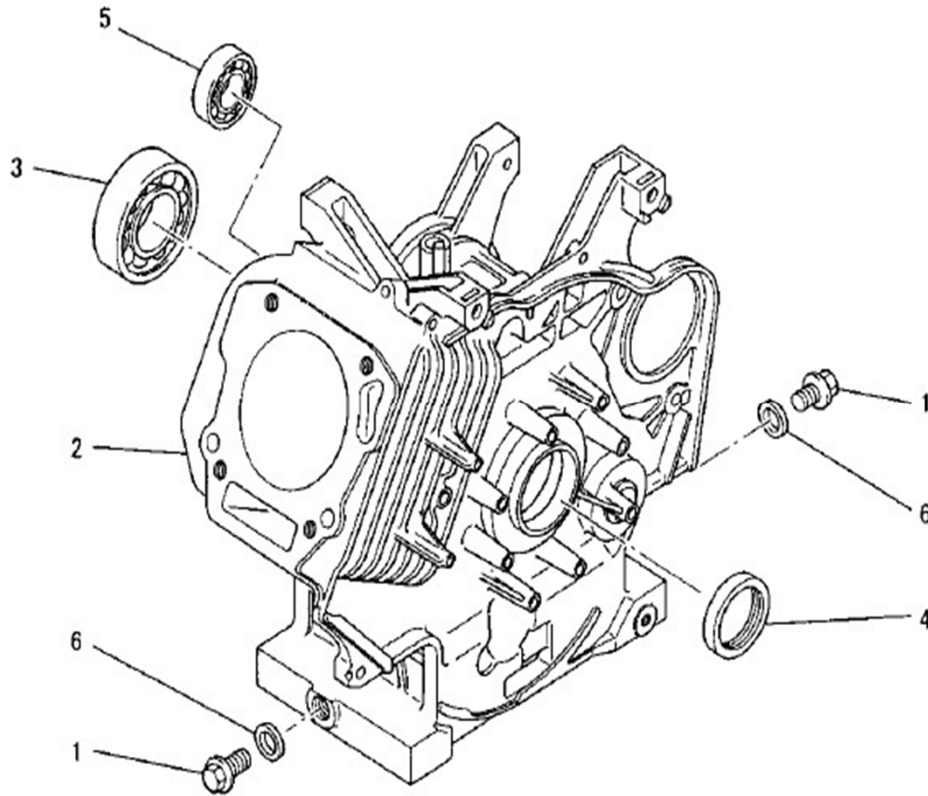


PARTS CATALOG 零件目录

**BRILLIANT AIR-COOLED
GASLINE ENGINE
博联风冷汽油发动机**

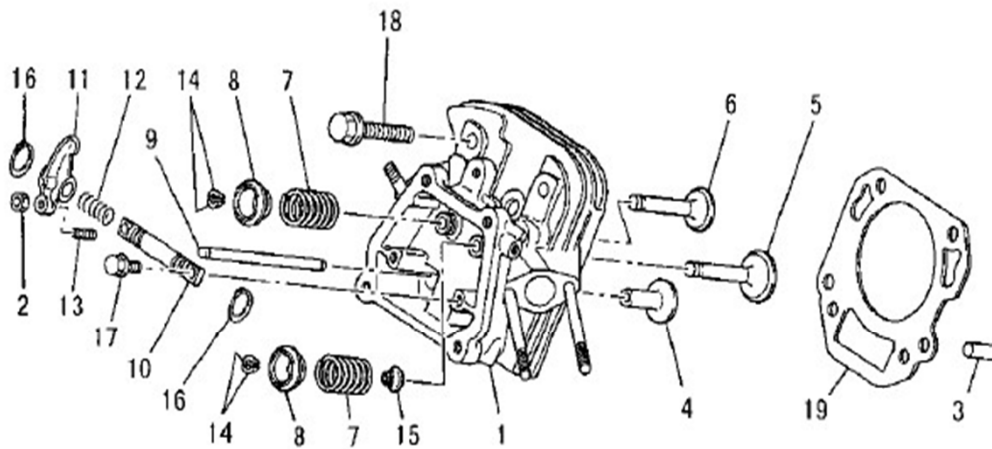
MODEL 型号: GT1300PN-RTW

(A) CYLINDER BLOCK GROUP



No.	Parts No.	Parts Name		No.Req'd	Inte Remarks	Assy No.	Price
1	KL22010AA	PLUG,DRAIN	放油螺塞	2			
2	KB47002CA	CYLINDER BLOCK	气缸箱体	1			
3	S111X62X070	BEARING,BALL	轴承	1	#6207		
4	BW29002AA	OIL SEAL	油封	1			
5	S111X62X030	BEARING,BALL	轴承	1	#6203		
6	ZZ70013A	GASKET	垫片	2			

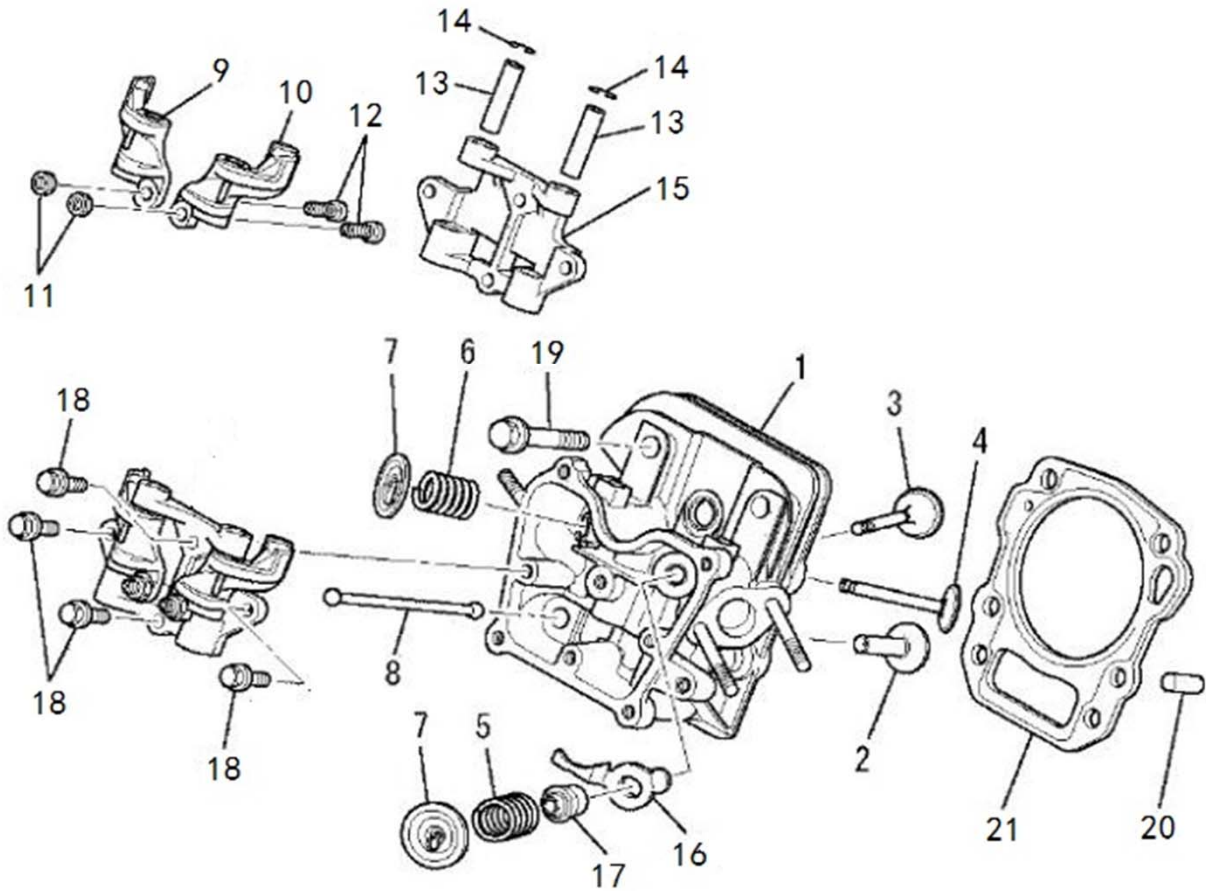
(B) CYLINDER HEAD GROUP



No.	Parts No.	Parts Name	No.Req'd	Inte Remarks	Assy No.	Price
1	KC02066AA	CYLINDER HEAD ASSY 气缸盖总成	1	MARK1	LC02066AA	
2	FR46870	NUT 螺母	2			
3	KU44001AA	PIN,DOWEL 定位销	2			
4	KV25001AA	TAPPET 挺柱	2			
5	KV37004AA	VALVE,INTAKE 进气门	1			
6	KV45012AA	VALVE,EXHAUST 排气门	1			
7	KV56002AA	SPRING,VALVE 气门弹簧	2			
8	KV68003AA	RETAINER,VALVE SPG 气门弹簧座	2			
9	KV71007AA	ROD,PUSH 推杆	2			
10	KV72004AA	SHAFT,ROCKER ARM 摇臂轴	1			
11	BV72018AA	ARM,ROCKER 摇臂	2			
12	KV72006AA	SPRING,ROCKER SHAFT 摇臂轴弹簧	1			

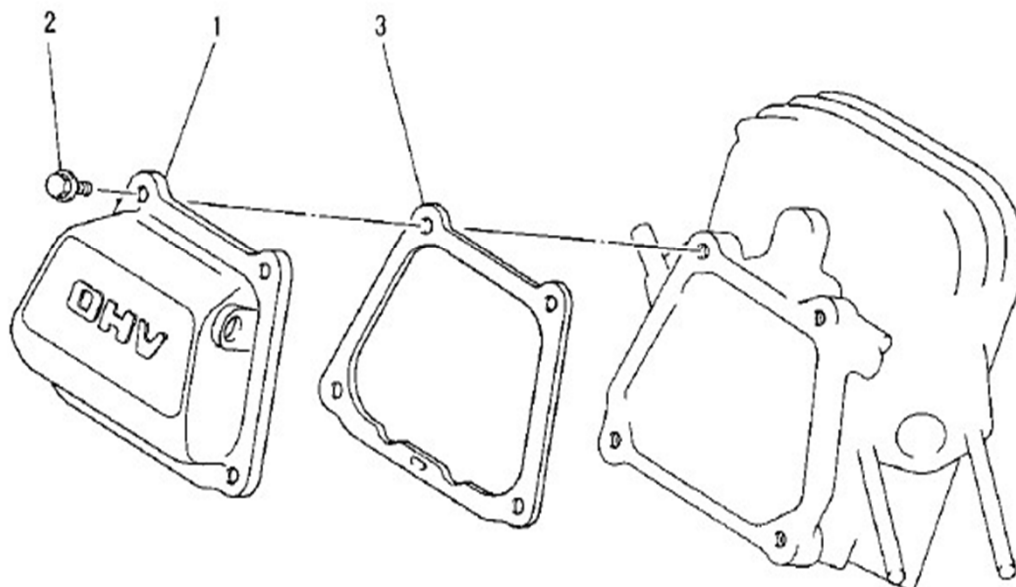
MARK1: WITH B151B06X075/B151B08X020/3/4/5/6/7/16/17

(B) CYLINDER HEAD GROUP



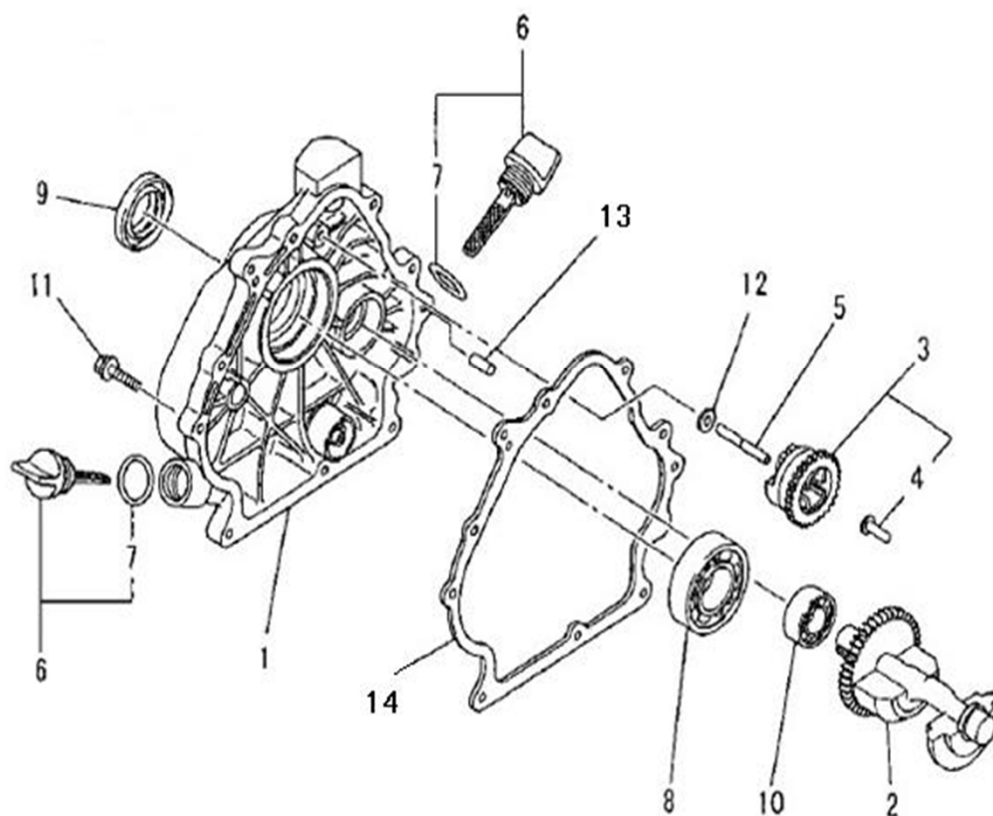
No.	Parts No.	Parts Name	No.Req'd	Inte Remarks	Assy No.	Price
13	KV73003AA	SCREW,ADJUST 调整螺钉	2			
14	KV75010AA	COTTER 锁片	4			
15	KW21024AA	SEAL,VALVE STEM 气门杆油封	1			
16	S510P12	SNAP RING E型挡圈	2			
17	B800B06X020	BOLT,FLANGE 法兰螺柱	2			
18	B800B10X065	BOLT,FLANGE 法兰螺柱	4			
19	KC68002AA	GASKET,HEAD 气缸盖垫	1			

(C) HEAD COVER GROUP



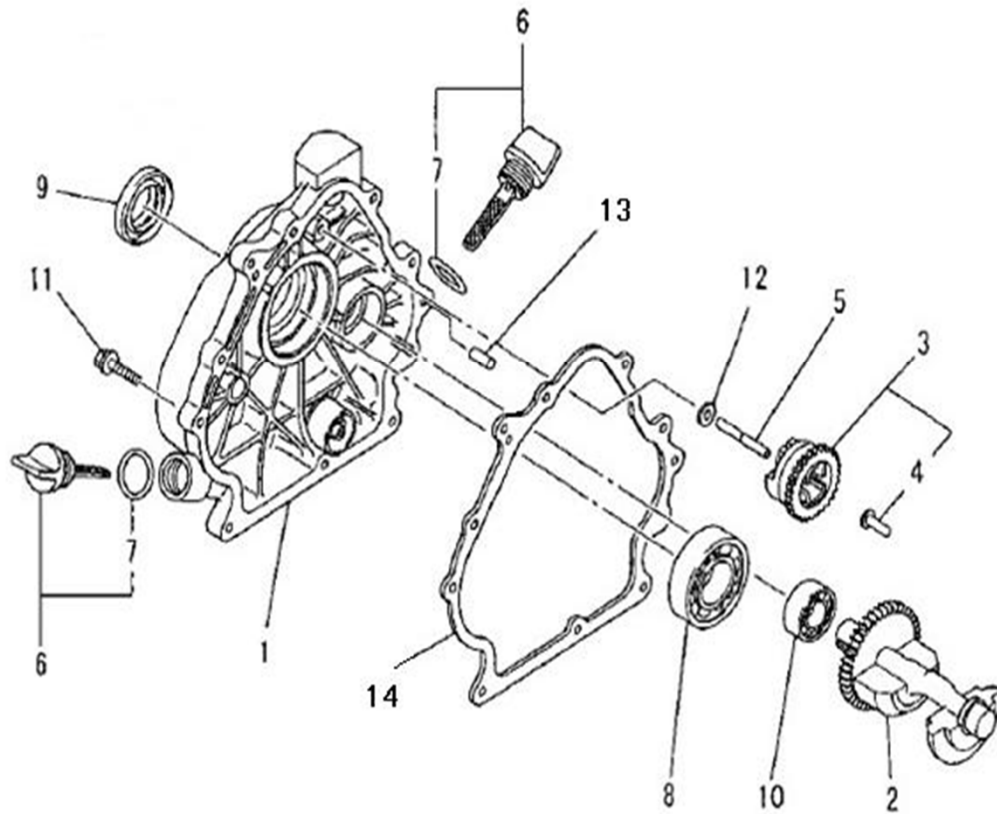
No.	Parts No.	Parts Name		No.Req'd	Inte Remarks	Assy No.		Price
1	KC09017AA	HEAD COVER ASSY	气缸罩总成	1				
2	B800B06X012	BOLT,FLANGE	法兰螺柱	4				
3	KW33003AA	GASKET,HEAD COVER	气门室盖垫	1				

(D) CASE COVER GROUP



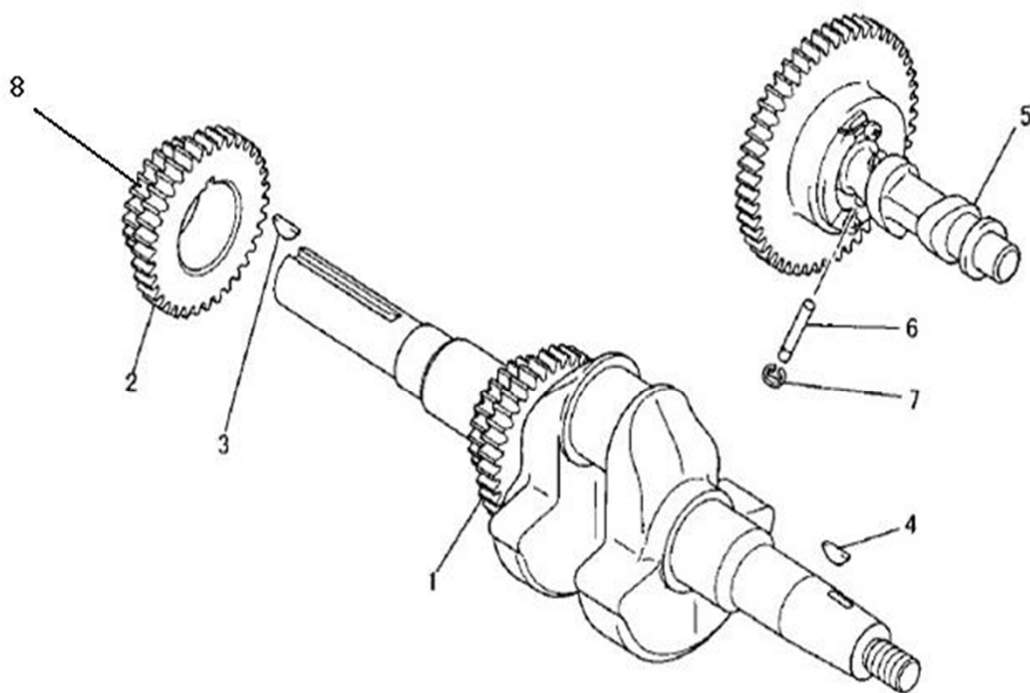
No.	Parts No.	Parts Name	No.Req'd	Inte Remarks	Assy No.	Price
1	KB67005EA	COVER,CRANKCASE 箱体侧盖	1		LB67005EA	
2	KD51005AA	SHAFT,BALANCER 平衡轴	1			
3	KG01003CA	GOVERNOR GEAR ASSY 调速齿轮总成	1			
4	KG14005AA	SLIDER,GOV 滑套	1			
5	KG22022AA	SHAFT,GOV 调速轴	1			
6	KL21018AA001	GAUGE,OIL 机油标尺	2		LL21018BA002	
7	KW29006AA	O-RING O型圈	2			
8	S111X62X070	BEARING,BALL 轴承	1	#6207		
9	BW29002AA	OIL SEAL 油封	1			
10	S111X62X030	BEARING,BALL 轴承	1	#6203		
11	B800B08X030	BOLT,FLANGE 法兰螺栓	9			
12	FA28247	SPACER 隔板	1			

(D) CASE COVER GROUP



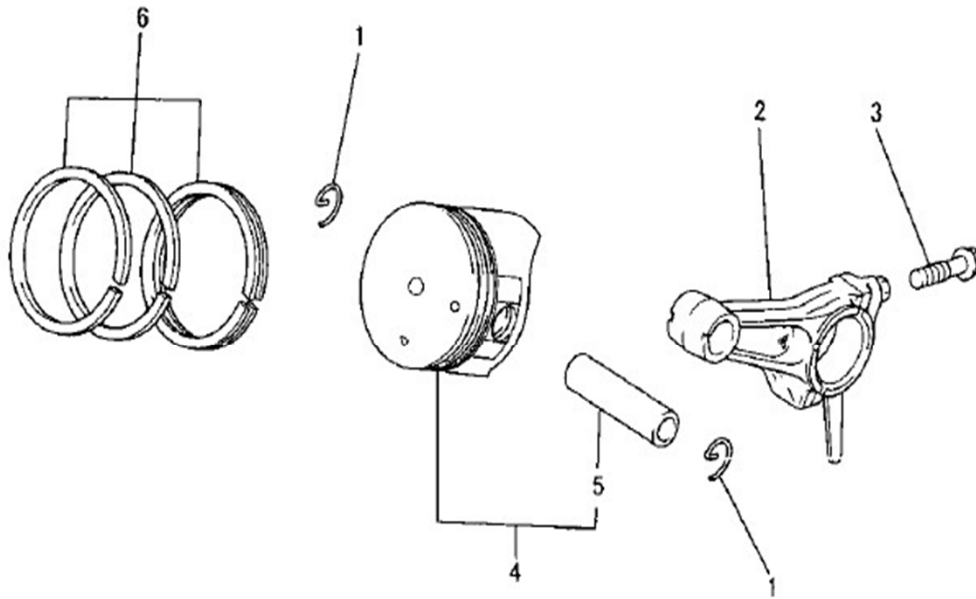
No.	Parts No.	Parts Name	No.Req'd	Inte Remarks	Assy No.	Price
13	KU44001AA	PIN,DOWEL	2	定位销		
14	KW31010AA	GASKET,CRANKCASE	1	曲轴箱垫		

(E) CRANKSHAFT GROUP



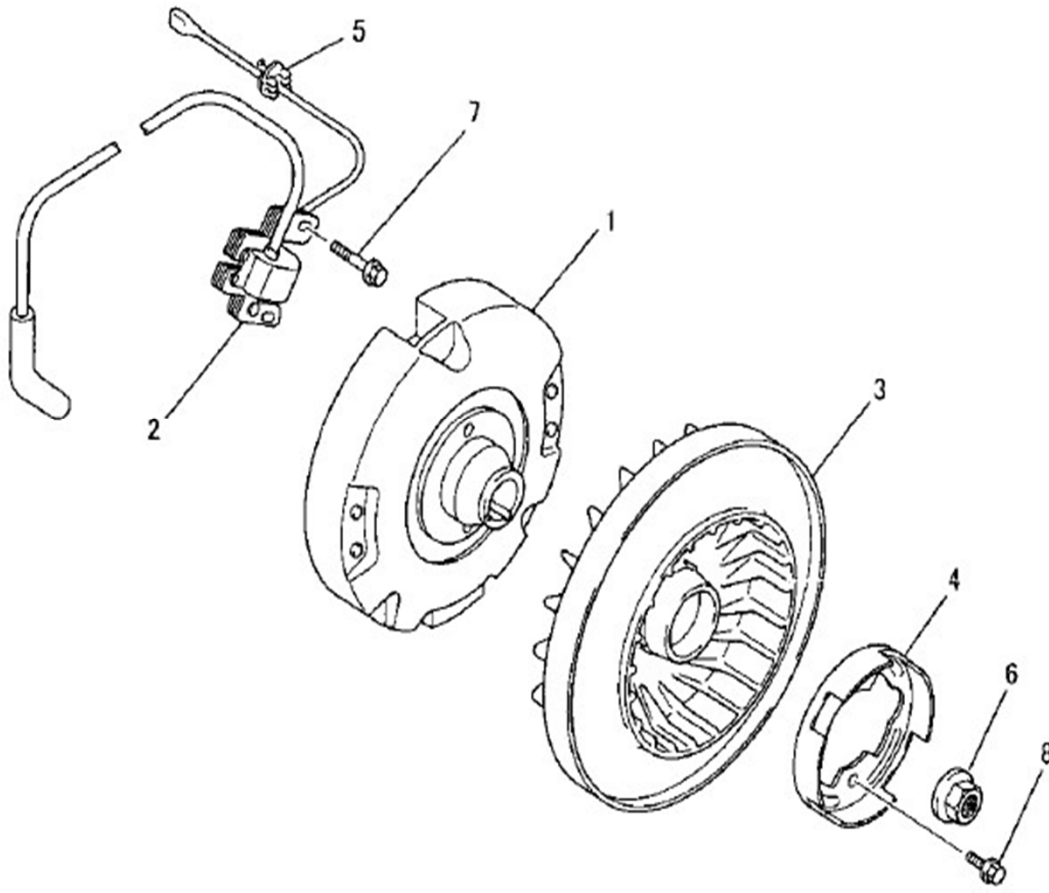
No.	Parts No.	Parts Name	No.Req'd	Inte Remarks	Assy No.	Price
1	KD28026AA	CRANKHAFT 曲轴	1			
2	KD63058BB	GEAR,BALANCER 平衡轴齿轮	1			
3	KD90012AA	KEY,WOODRUFF 半圆键	1			
4	W430B05X016	KEY,WOODRUFF 半圆键	1			
5	KV15011AA	CAMSHAFT 凸轮轴	1			
6	KV83010FE	PIN 销	1			
7	S500P03	SNAP RING E型挡圈	1			
8	KD63057BB	GEAR,CRANKSHAFT 曲轴正时齿轮	1			

(F) PISTON & ROD GROUP



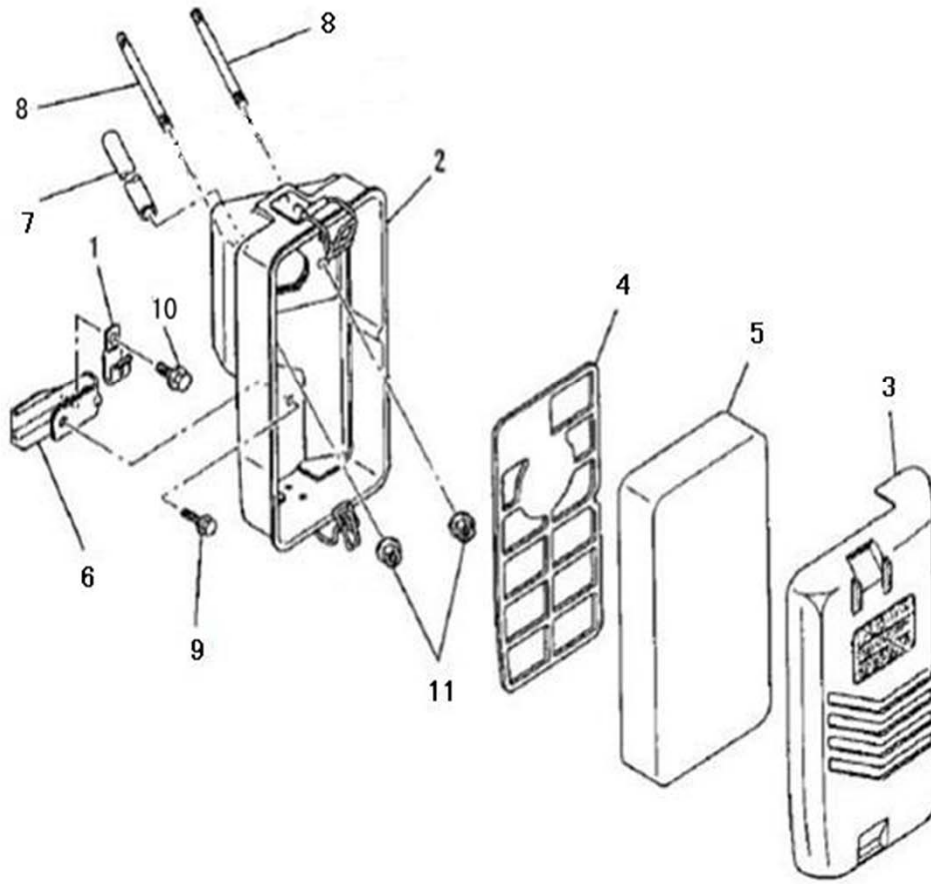
No.	Parts No.	Parts Name	No.Req'd	Inte Remarks	Assy No.	Price
1	KP90005AA	CLIP,PISTON PIN 活塞销卡环	2			
2	KD03033AA	CONNECTING ROD ASSY 连杆总成	1			
3	B800B06X030	BOLT,FLANGE 法兰螺柱	2			
4	KP18005AA	PISTON 活塞	1			
5	KP58003AA	PIN,PISTON 活塞销	1			
6	KP28002AA	RING, TOP 顶环	1			
	KP38002AA	RING, 2ND 二环	1			
	KP48002AA	RING, OIL 油环	1			

(G) MAGNET GROUP



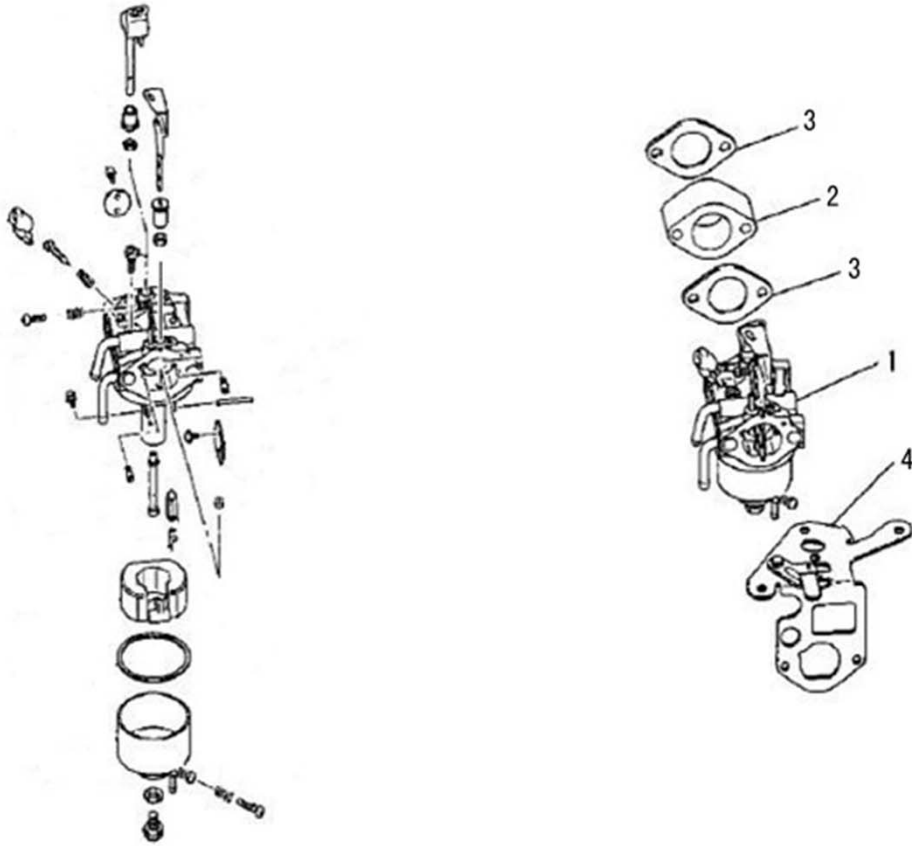
No.	Parts No.	Parts Name	No.Req'd	Inte Remarks	Assy No.	Price
1	KE12018AA	FLYWHEEL 飞轮	1			
2	KE24025AA	COIL,IGNITION 点火线圈	1			
3	KE90320AA	FAN 风扇	1			
4	KE90321AA	RETAINER 定位器	1			
5	KU70007AA	CLIP 夹子	1			
6	KU27002AA	NUT,FLANGE 法兰螺母	1			
7	KU12075AA	BOLT,FLANGE 法兰螺柱	2			
8	KU14036AA	BOLT,FLANGE 法兰螺柱	2			

(H) AIR CLEANER GROUP



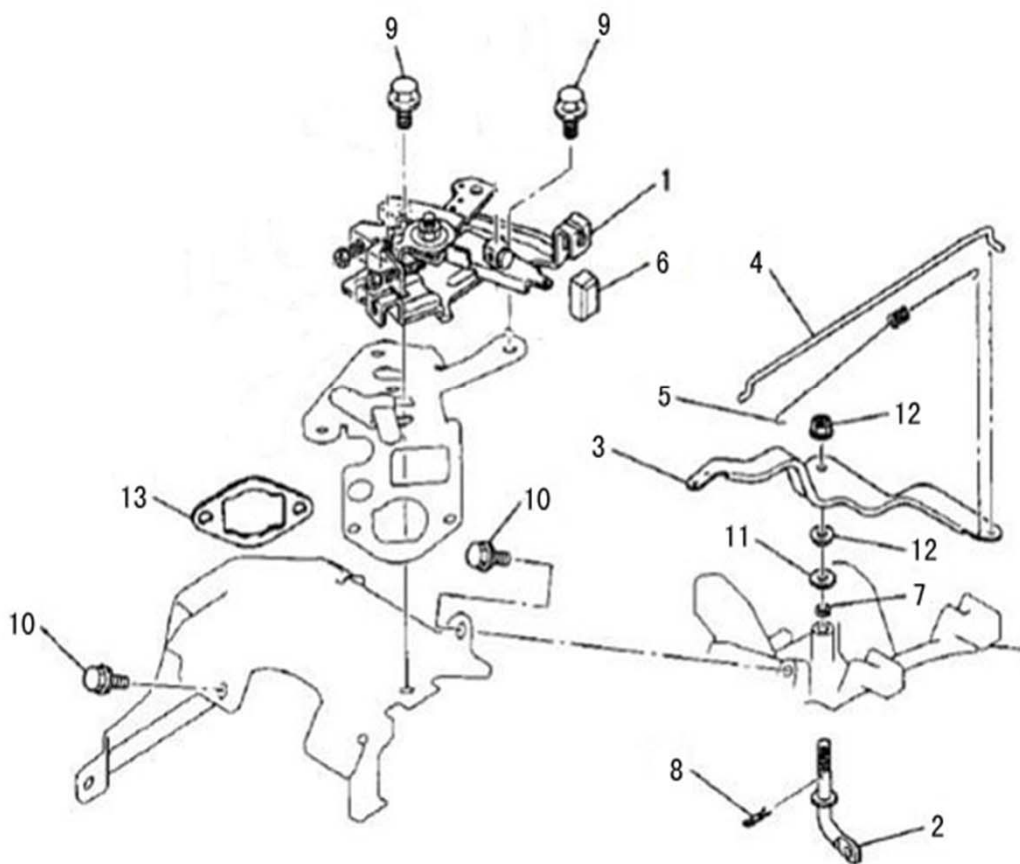
No.	Parts No.	Parts Name	No.Req'd	Inte Remarks	Assy No.	Price
1	FR64917A	CLAMP 夹子	1			
2	KA11042AA	CASE,CLEANER 空滤器体	1			
3	KA20045AA	COVER,CLEANER 空滤器罩	1			
4	KA30016AA	GRID 滤芯挡板	1			
5	KA40059AA	ELEMENT,CLEANER 空滤器芯	1			
6	KA90183AA	BRACKET 支架	1			
7	KL41005FA	TUBE,BREATHER 通气管	1			
8	B151B06X100	BOLT,STUD 双头螺柱	2			
9	B800A06X008	BOLT,FLANGE 法兰螺柱	1			
10	B800A06X016	BOLT,FLANGE 法兰螺柱	1			
11	N801A06	NUT,FLANGE 法兰螺母	2			

(I) CARBURETOR GROUP



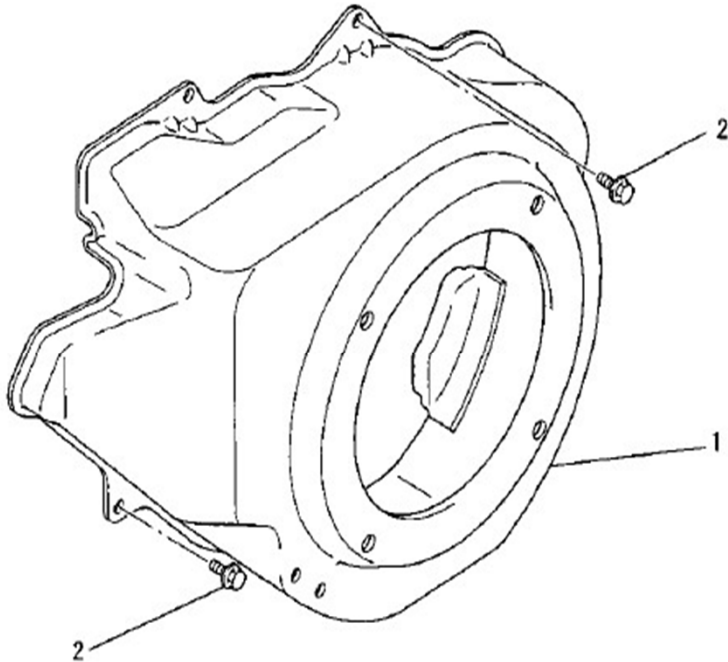
No.	Parts No.	Parts Name		No.Req'd	Inte Remarks	Assy No.	Price
1	KK16034BA	CARBURETOR(F)	化油器	1			
2	KK34002AA	INSULATOR	化油器绝热垫	1			
3	KW34086AA	GASKET,CARBURETOR	化油器垫	2			
4	KK09015AA	CHOKE LEVER ASSY	阻风门杆总成	1			

(J) CONTROL PANEL GROUP



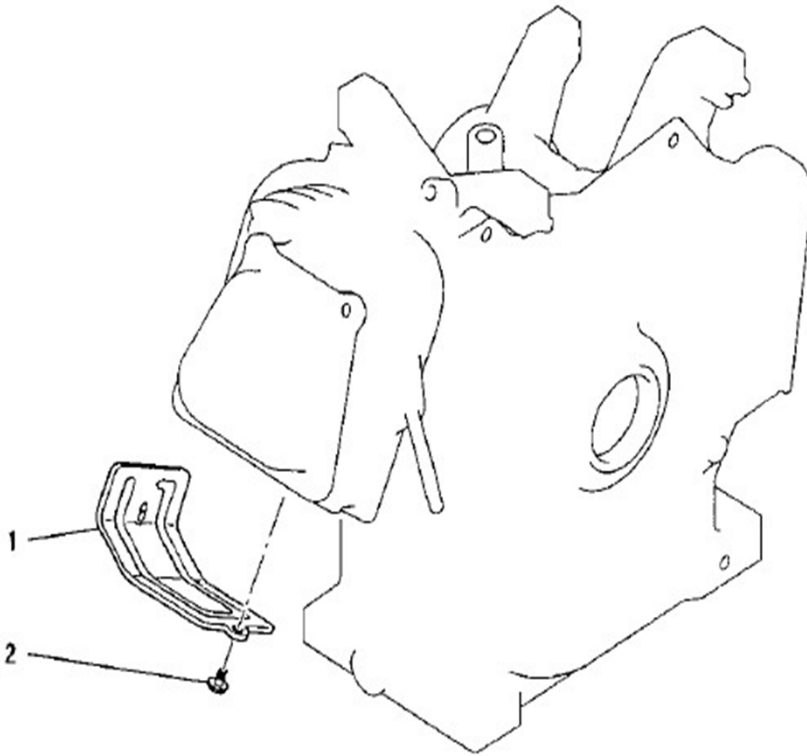
No.	Parts No.	Parts Name	No.Req'd	Inte Remarks	Assy No.	Price
1	KG03059BA	CONTROL PANEL ASSY 控制板总成	1			
2	KG22026AA	SHAFT,GOV 调速摇臂轴	1			
3	KG31032AA	LEVER,GOV 调节杆	1			
4	KG41032AA	ROD,GOV 调速器拉杆	1			
5	KG42039AA	SPRING,ROD 调速拉杆弹簧	1			
6	KG90014AA	CAP 帽	1			
7	KG90016AA	SEAL,DUST 防尘密封垫	1			
8	KU70006BA	CLIP 夹子	1			
9	B800A06X012	BOLT,FLANGE 法兰螺柱	3			
10	B800A06X012	BOLT,FLANGE 法兰螺柱	2			
11	KG90015AA	WASHER 垫圈	1			
12	KU24002AA	NUT 螺母	2			
13	KW34087AA	GAKET,CARBURETOR 化油器垫	1			

(K) FAN COVER GROUP



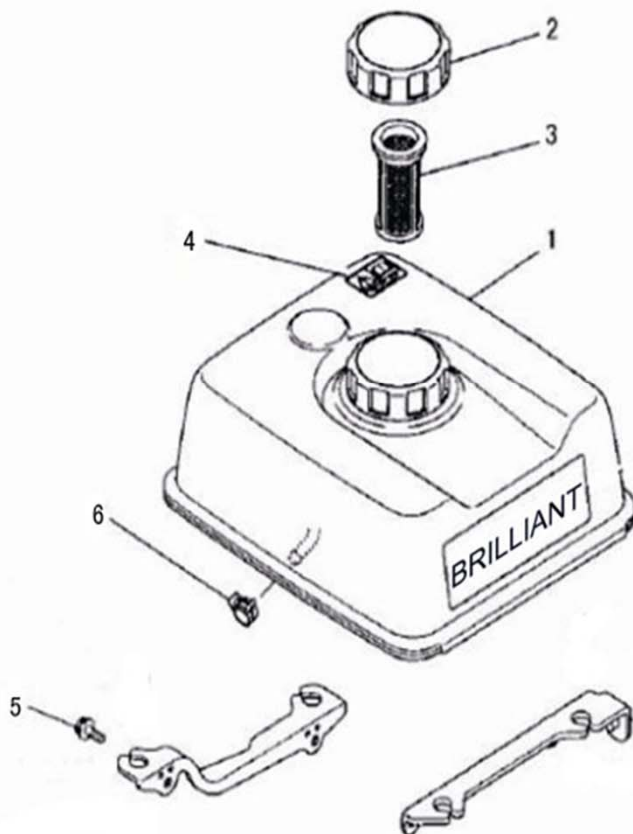
No.	Parts No.	Parts Name		No.Req'd	Inte Remarks	Assy No.	Price	
1	KH28026AA	COVER,FAN	风扇罩	1				
2	B800A06X012	BOLT,FLANGE	法兰螺柱	3				
3	B800A06X016	BOLT,FLANGE	法兰螺柱	1				

(L) CYLINDER COVER GROUP



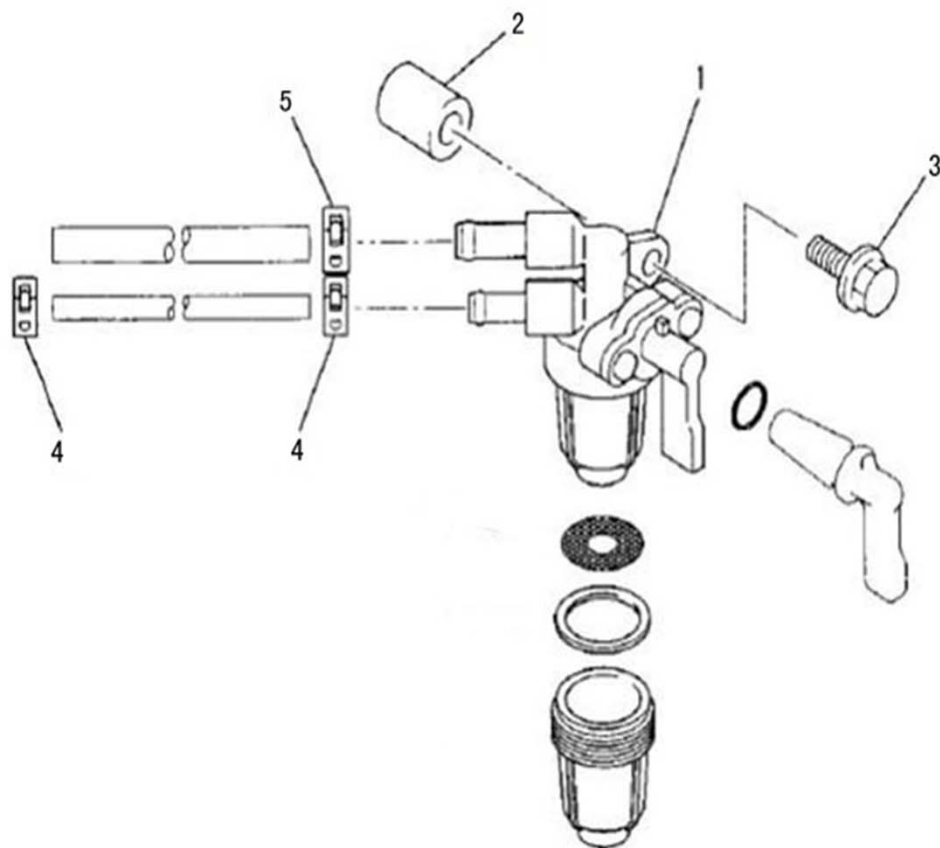
No.	Parts No.	Parts Name	No.Req'd	Inte Remarks	Assy No.	Price
1	KH40020AA	COVER,CYLINDER 气缸罩	1			
2	B800A06X012	BOLT,FLANGE 法兰螺柱	2			

(M) TANK GROUP



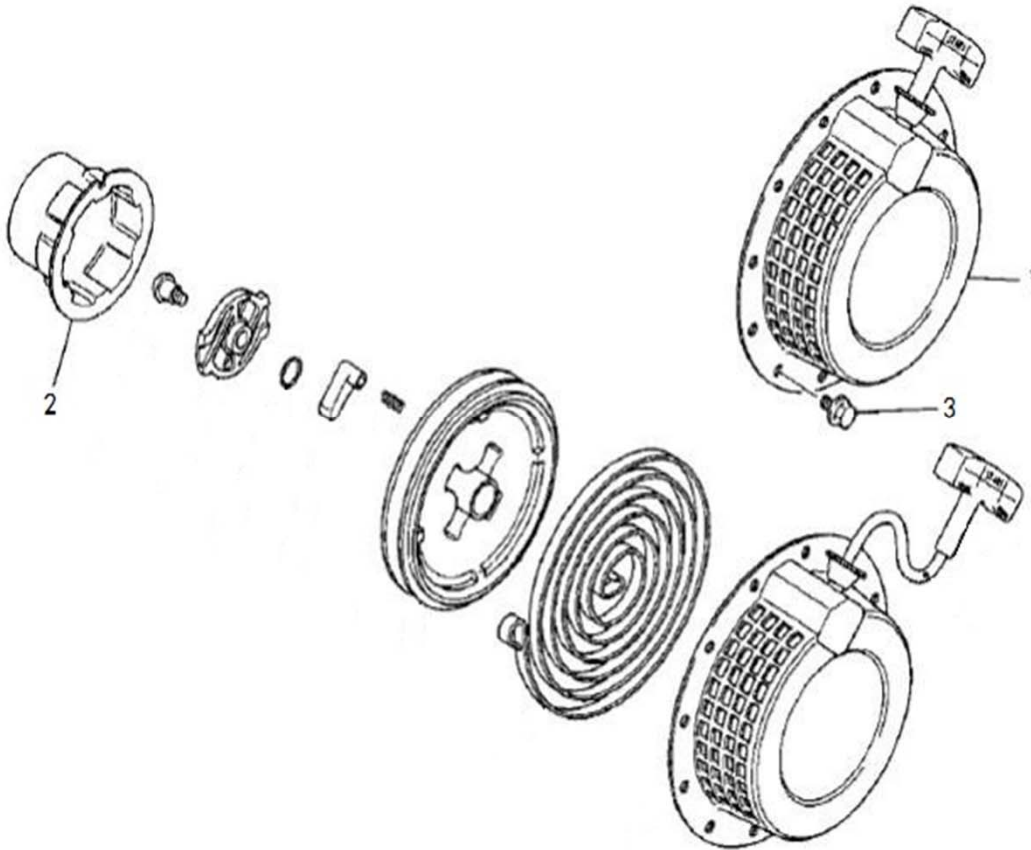
No.	Parts No.	Parts Name	No.Req'd	Inte Remarks	Assy No.	Price
1	KF04147AA	FUEL TANK ASSY 油箱总成	1			
2	KF22003AA	CAP,FUEL TANK 油箱盖	1			
3	KF40016AA	FILTER,FUEL 燃油过滤杯	1			
4	KW55042AA	LABEL,CAUTION 警示标贴	1			
5	B800A06X016	BOLT,FLANGE 法兰螺柱	4			
6	KU70021AA	CLIP 夹子	1			

(N) COCK GROUP



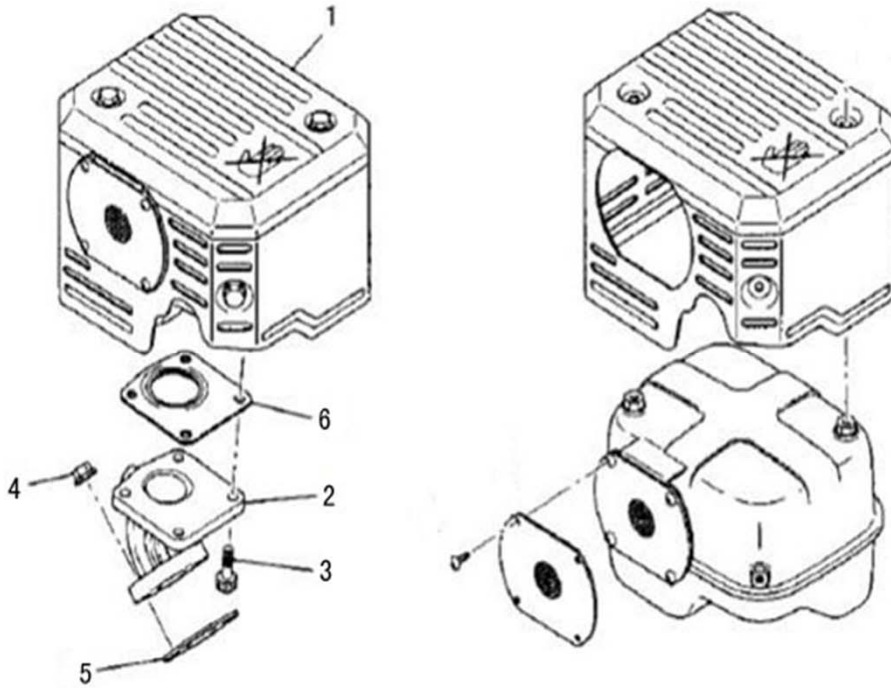
No.	Parts No.	Parts Name		No.Req'd	Inte Remarks	Assy No.	Price	
1	KF31036BA	COCK,FUEL	燃油开关	1				
2	KF90105AA	SPACER	隔板	1				
3	B800A06X025	BOLT,FLANGE	法兰螺柱	1				
4	KU70020AA	CLIP	夹子	2				
5	KU70021AA	CLIP	夹子	1				

(R) RECOIL STARTER GROUP



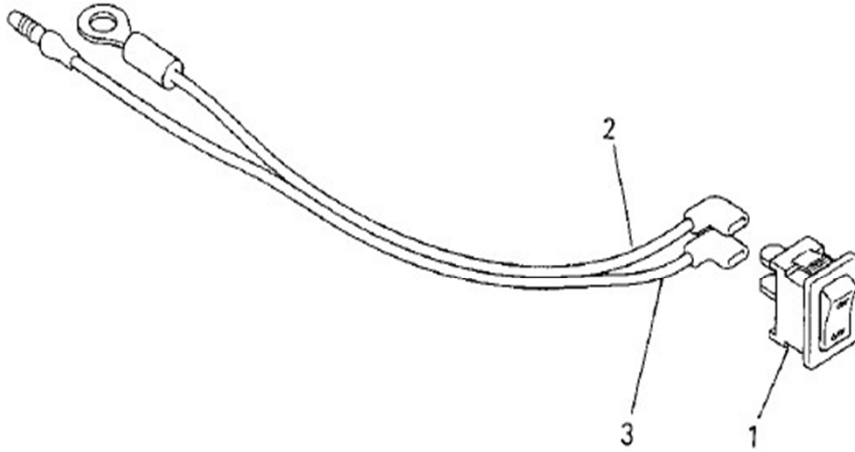
No.	Parts No.	Parts Name	No.Req'd	Inte Remarks	Assy No.	Price
1	KS20173AD	RECOIL STARTER 启动拉盘	1			
2	KS30068AA	PULLEY,STARTER 启动杯	1			
3	B800A06X008	BOLT,FLANGE 法兰螺柱	4			

(S) MUFFLER GROUP



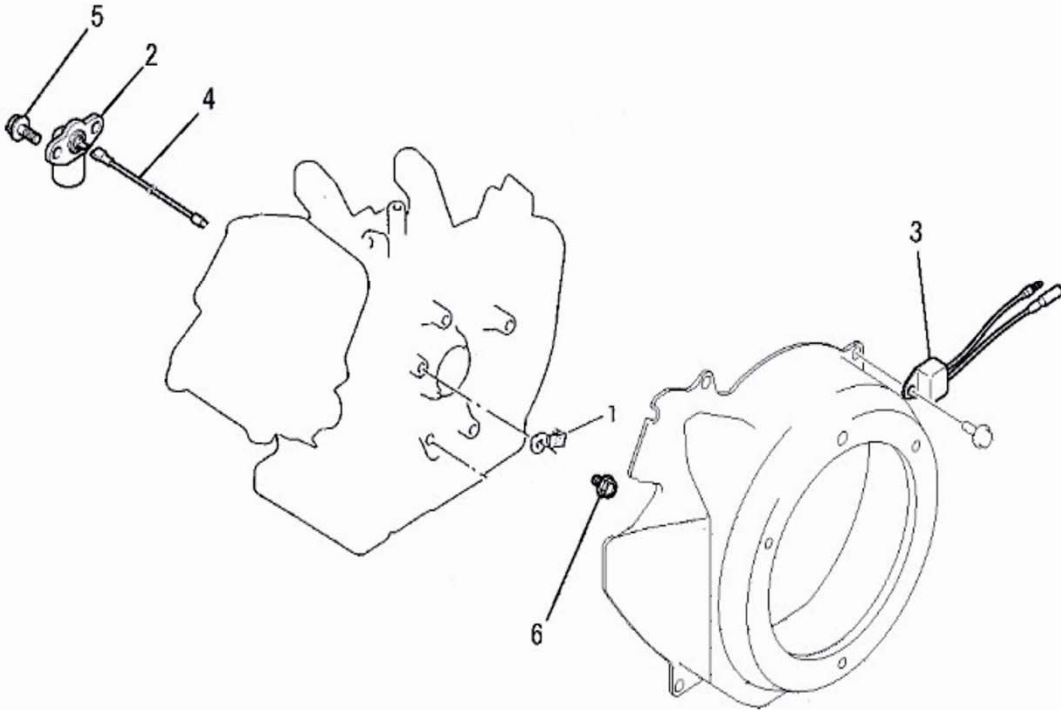
No.	Parts No.	Parts Name		No.Req'd	Inte Remarks	Assy No.	Price
1	KM02167AA	MUFFLER ASSY	消音器总成	1			
2	KM30019AA	PIPE,EXHAUST	排气管	1			
3	B121C06X016	BOLT,SCH	螺栓	4			
4	ZZ70028C	NUT,CONICAL SPG	圆锥面螺母	2			
5	KM70056AA	GASKET,MUFFLER	消音器垫	1			
6	KM70057AA	GASKET,MUFFLER	排气管垫	1			

(U) SWITCH GROUP



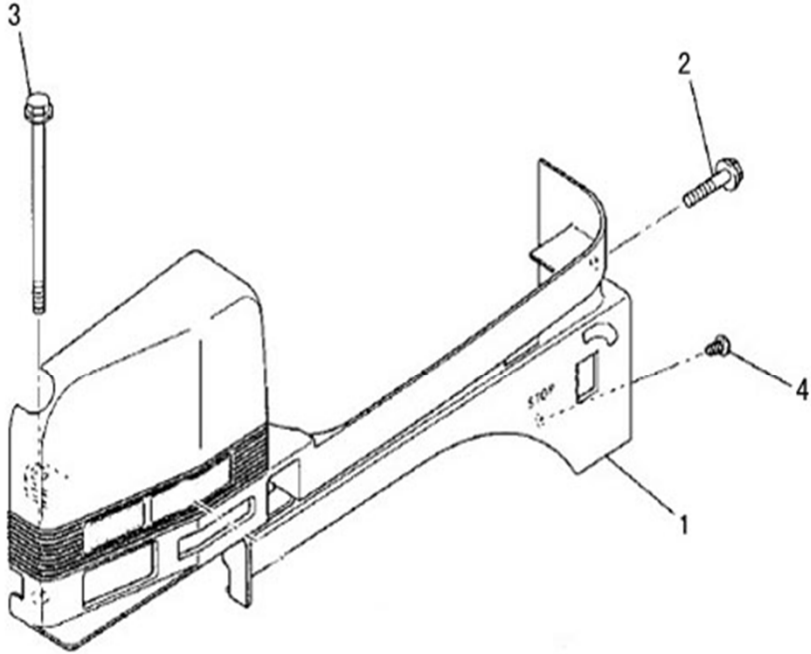
No.	Parts No.	Parts Name	No.Req'd	Inte Remarks	Assy No.	Price
1	KE80033BA	SWITCH,STOP 停机开关	1			
2	KE90190AA	WIRE,LEAD 导线 (黑)	1			
3	KE90191AA	WIRE,LEAD 导线 (红)	1			

(W) OIL SENSOR GROUP



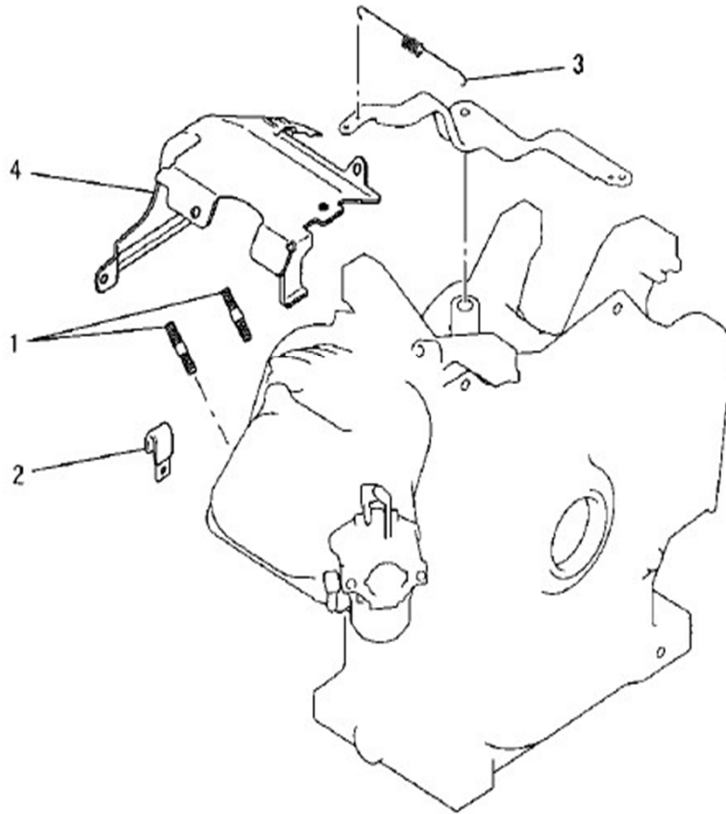
No.	Parts No.	Parts Name	No.Req'd	Inte Remarks	Assy No.	Price
1	BA41303	CLAMP 夹子	1			
2	KE09043AA	SENSOR,OIL 传感器	1			
3	KE34011AA	UNIT 报警器	1			
4	KE90069AA	WIRE,LEAD 导线	1			
5	B800A06X012	BOLT,FLANGE 法兰螺栓	2			
6	B800A06X008	BOLT,FLANGE 法兰螺栓	1			

(X) COVER GROUP



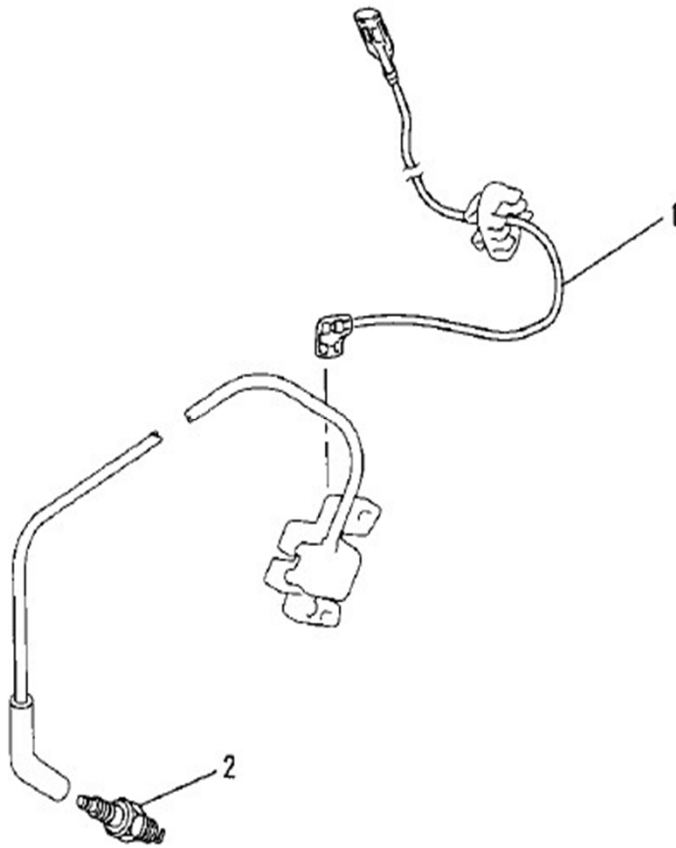
No.	Parts No.	Parts Name		No.Req'd	Inte Remarks	Assy No.	Price	
1	BR04016AA	COVER,FRONT	前罩	1				
2	B800A06X030	BOLT,FLANGE	法兰螺柱	1				
3	B800A06X090	BOLT,FLANGE	法兰螺柱	1				
4	KU12025AA	TAP-SCREW	自攻螺钉	1				

1. BOLT, CLAMP, SPRING, COVER



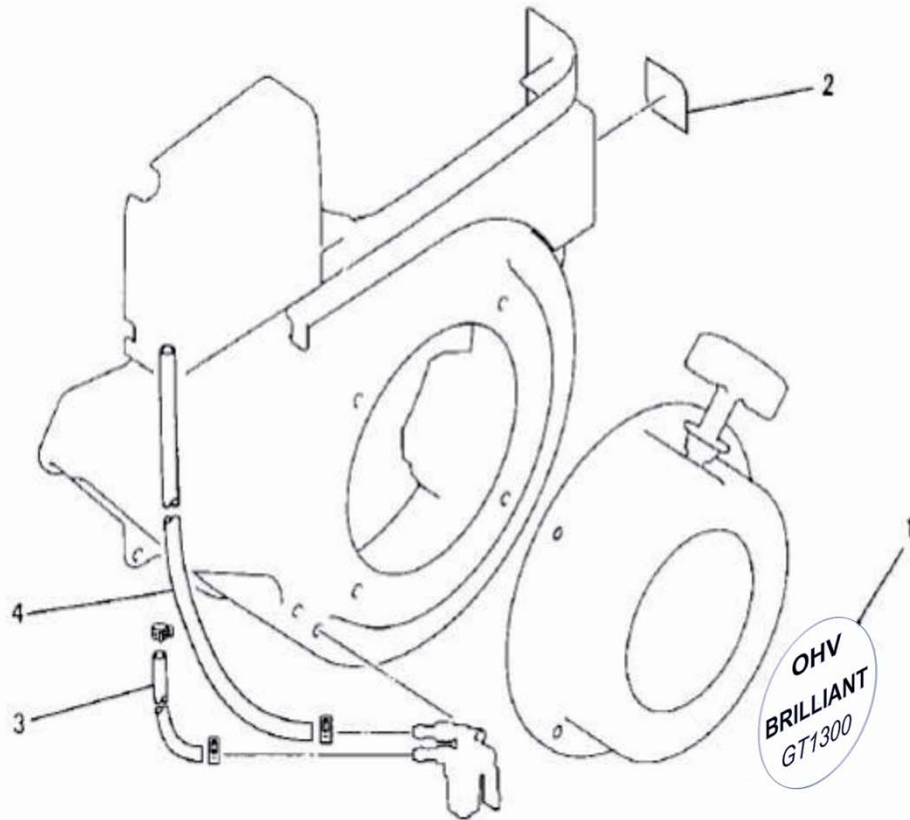
No.	Parts No.	Parts Name	No.Req'd	Inte Remarks	Assy No.	Price
1	B151B08X020	BOLT,STUD 双头螺柱	2			
2	FR56780	CLAMP 夹子	1			
3	KG34055AA	SPRING,GOV 调速器弹簧	1			
4	KH60025AA	BAFFLE,CYLINDER 箱体挡板	1			

2. LEAD WIRE, PLUG



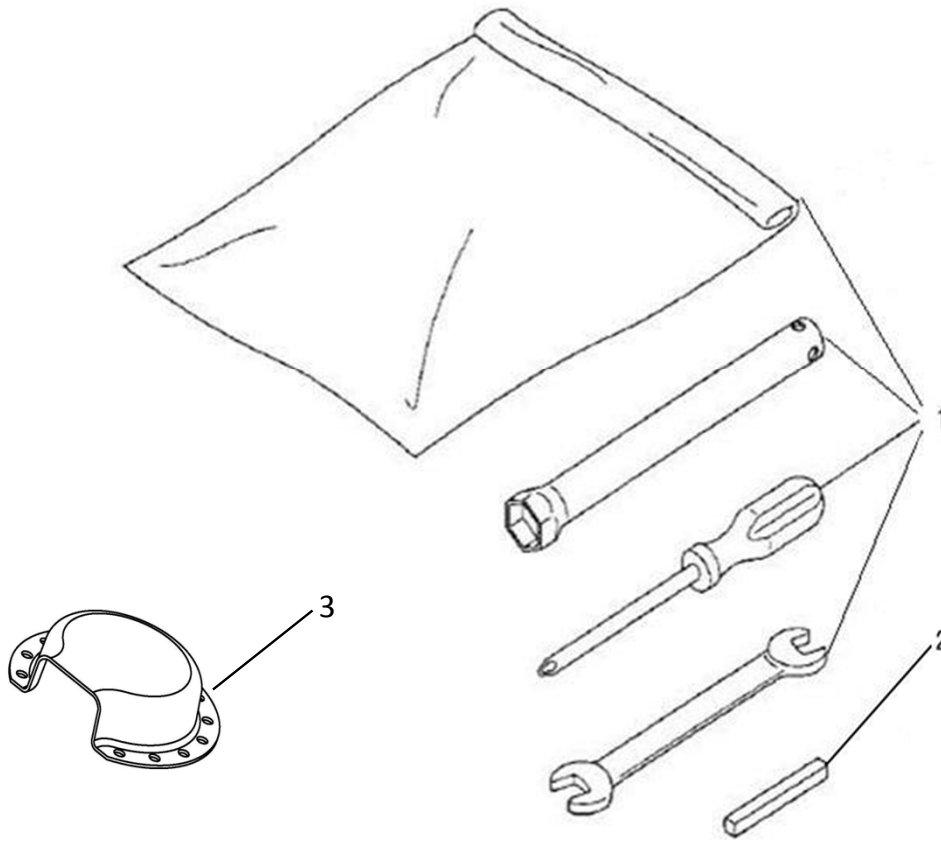
No.	Parts No.	Parts Name	No.Req'd	Inte Remarks	Assy No.	Price
1	KE90069AA	WIRE,LEAD 导线	1			
2	KE41005AB	PLUG,SPARK 火花塞	1			
3	BE42030AA	CAP,PLUG 火花塞帽	1			

3. LABEL, FUEL HOSE



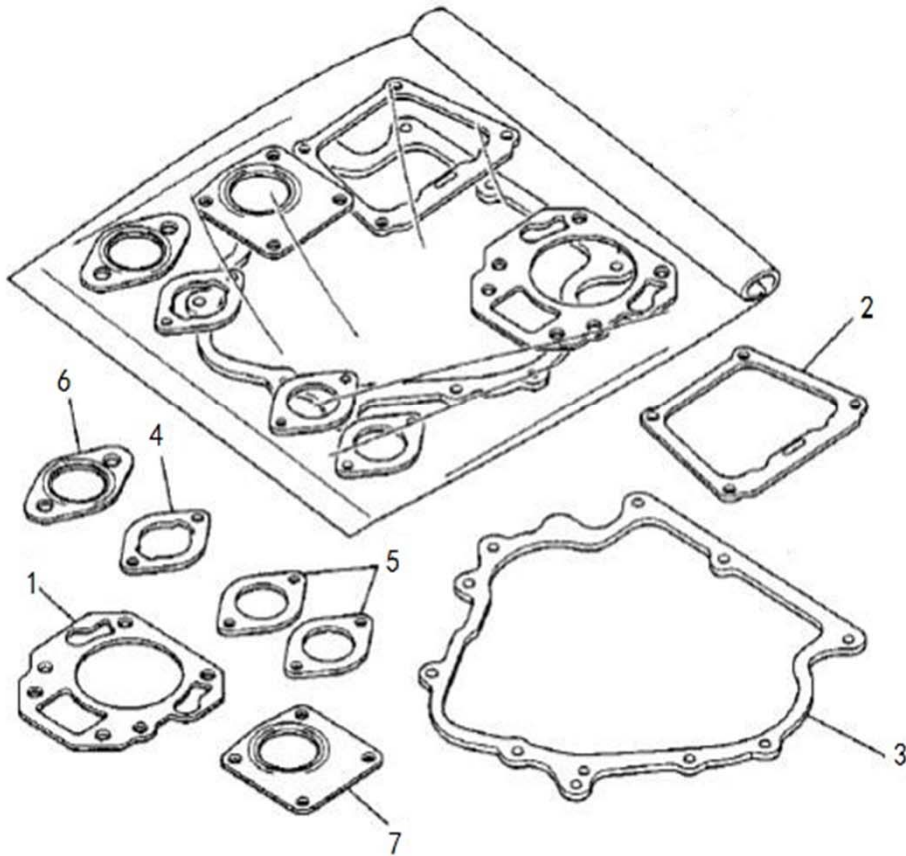
No.	Parts No.	Parts Name		No.Req'd	Inte Remarks	Assy No.	Price	
1	BW52375BA	LABEL,NAME	圆标贴	1				
2	BW56254EA	EMISSION,LABEL	认证标贴	1				
3	P051Y06X220	HOSE,FUEL	燃油管	1				
4	P051Y08X500	HOSE,FUEL	燃油管	1				

4. TOOL SET



No.	Parts No.	Parts Name		No.Req'd	Inte Remarks	Assy No.	Price	
1	KN01018CA	TOO; SET	工具组件	1				
2	KN20004HA	KEY,SUNK	键	1				
3	BM50041AA	PIPE,TAIL	导风罩	1				

5. GASKET SET



No.	Parts No.	Parts Name	No.Req'd	Inte Remarks	Assy No.	Price
1	KC68002AA	GASKET,HEAD 气缸盖垫	1			
2	KW33003AA	GASKET,HEAD COVER 气门室盖垫	1			
3	KW31010AA	GASKET,CRANKCASE 曲轴箱垫	1			
4	KW34087AA	GASKET,CARBURETOR 化油器垫	1			
5	KW34086AA	GASKET,CARBURETOR 化油器垫	2			
6	KM70056AA	GASKET,MUFFLER 消音器垫	1			
7	KM70057AA	GASKET,MUFFLER 排气关垫	1			