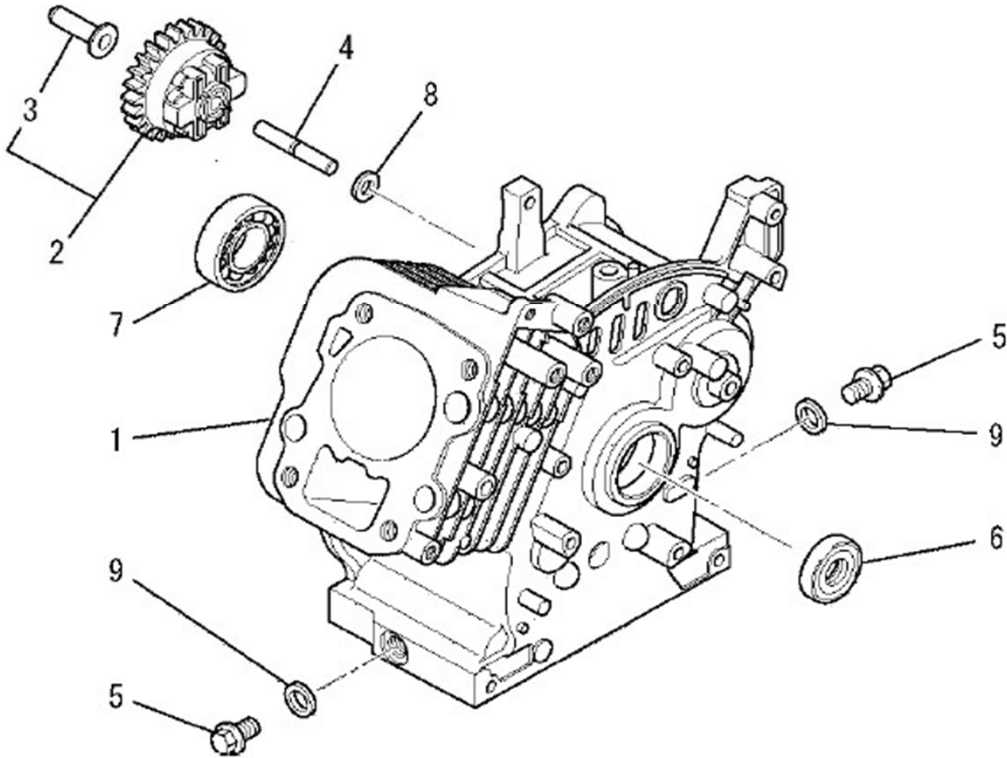


PARTS CATALOG 零件目录

**BRILLIANT AIR-COOLED
GASLINE ENGINE
博联风冷汽油发动机**

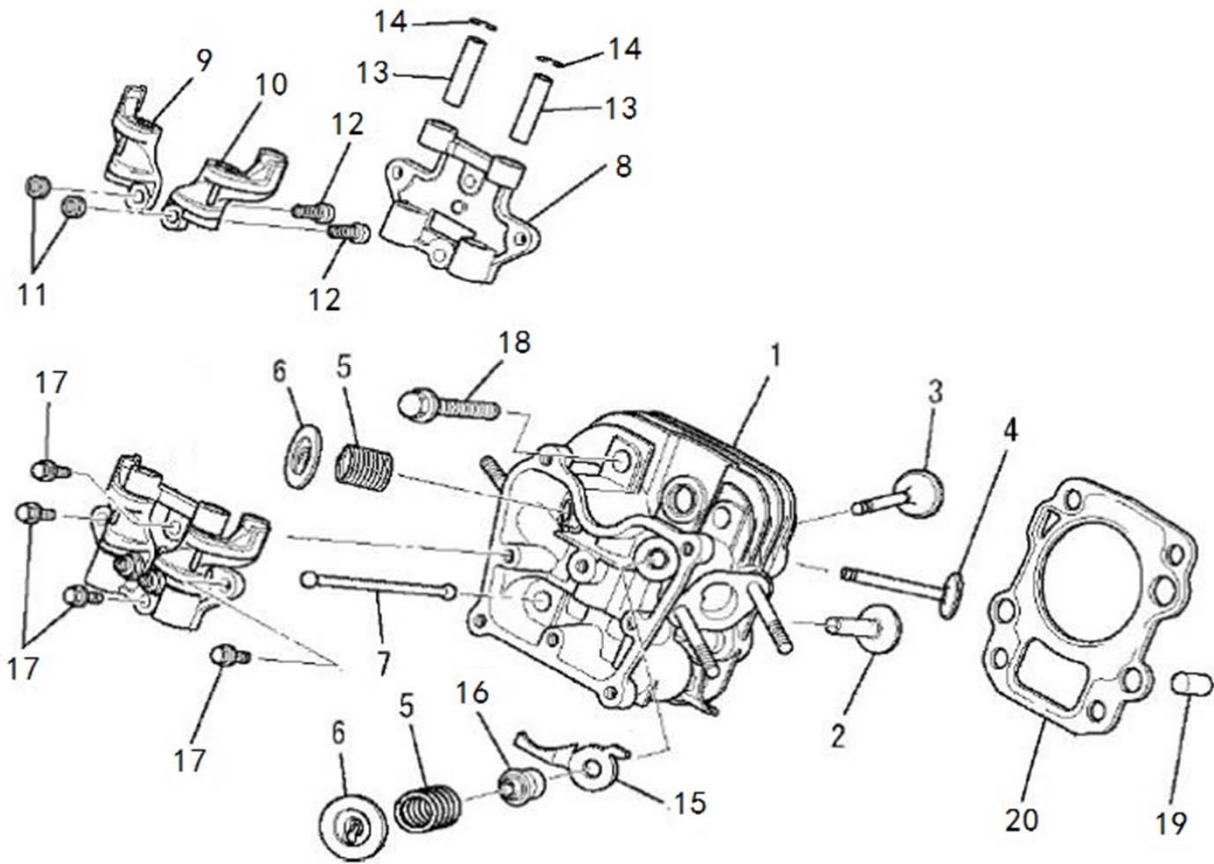
MODEL 型号: GT241PN-RTW

(A) CYLINDER BLOCK GROUP



No.	Parts No.	Parts Name		No.Req'd	Inte Remarks	Assy No.	Price	
1	KB41005CB	CYLINDER BLOCK	气缸箱体	1	WITH 2/3/4/5/6/7/8/9	LB41005CB		
2	BG01003BA	GOVERNOR GEAR ASSY	调速齿轮总成	1				
3	BG14005AA	SLIDER,GOV	滑套	1				
4	KG22022AA	SHAFT,GOV	调速轴	1				
5	KL22003AA	PLUG,DRAIN	放油螺塞	2				
6	KW22004AA	OIL SEAL	油封	1				
7	S111X62X030	BEARING,BALL	轴承	1	#6203			
8	W200H06	WASHER	垫圈	1				
9	KW39070AA	GASKET	垫片	2				

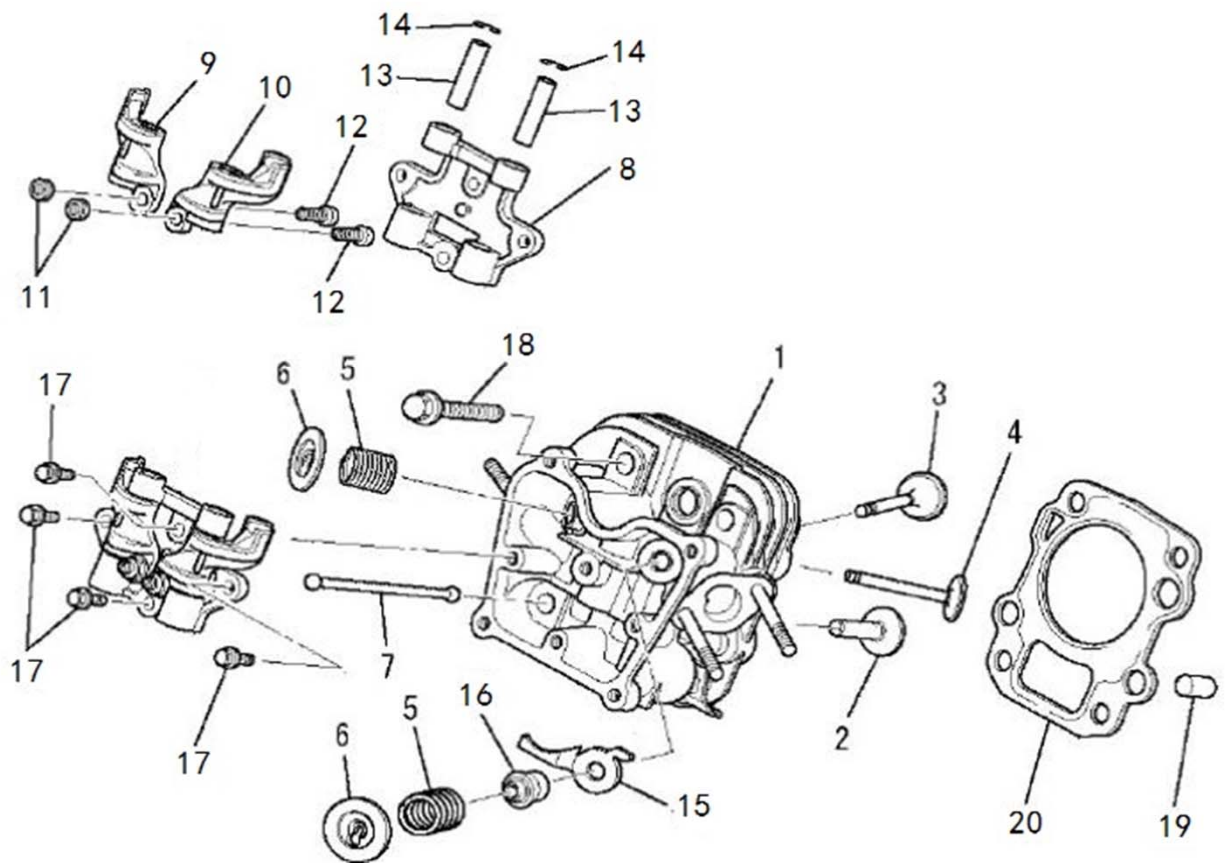
(B) CYLINDER HEAD GROUP



No.	Parts No.	Parts Name	No.Req'd	Inte Remarks	Assy No.	Price
1	KC02049AA	CYLINDER HEAD ASSY 气缸盖总成	1	MARK 1	LC02049AA	
2	KV24011AA	TAPPET 挺柱	2			
3	KV32004AA	VALVE,INTAKE 进气门	1			
4	KV43008AA	VALVE,EXHAUST 排气门	1			
5	KV54002AA	SPRING,VALVE 气门弹簧	2			
6	KV64004AA	RETAINER,VALVE SPG 气门弹簧座	2			
7	KV71009AA	ROD,PUSH 推杆	2			
8	KV74006AA	PLATE 气门摇臂座	1	WITH 9/10/11/12/13/14	LV74006AA	
9	KV72016AA	ARM,ROCKER 摇臂	1			
10	KV72017AA	ARM,ROCKER 摇臂	1			
11	KU23013AA	NUT 螺母	2			
12	KV73005AA	SCREW,ADJUST 调整螺钉	2			

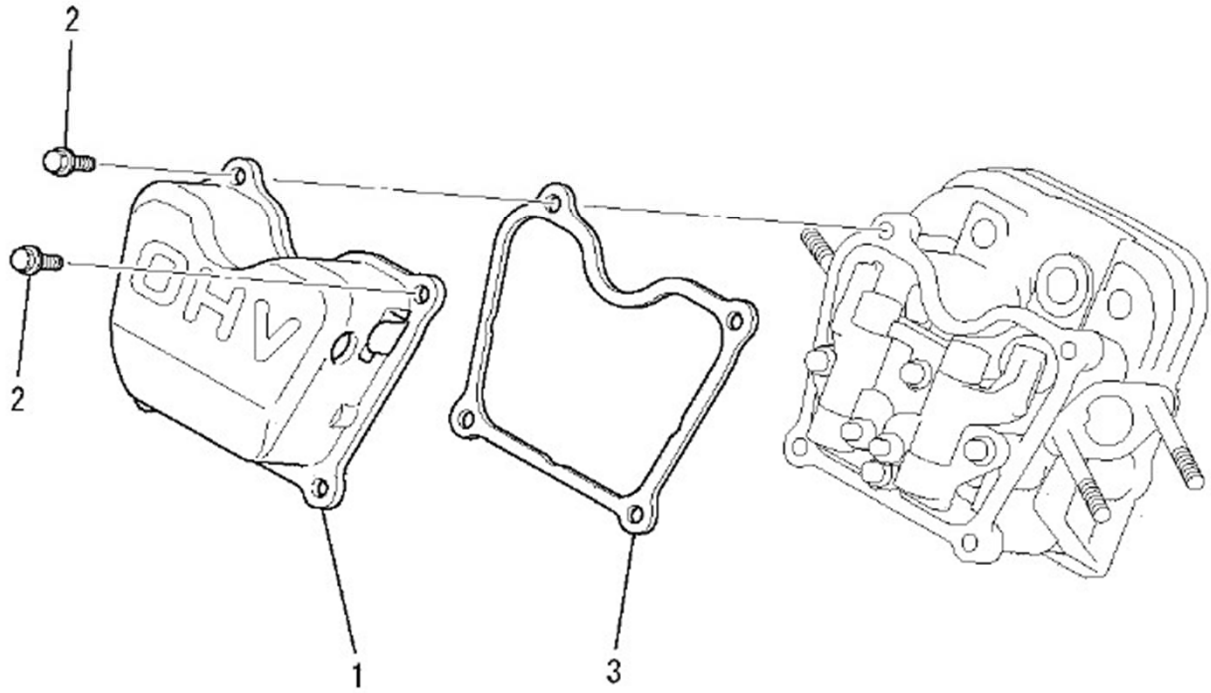
MARK 1: WITH B151B06X075/B151B08X020/3/4/5/6/15/16

(B) CYLINDER HEAD GROUP



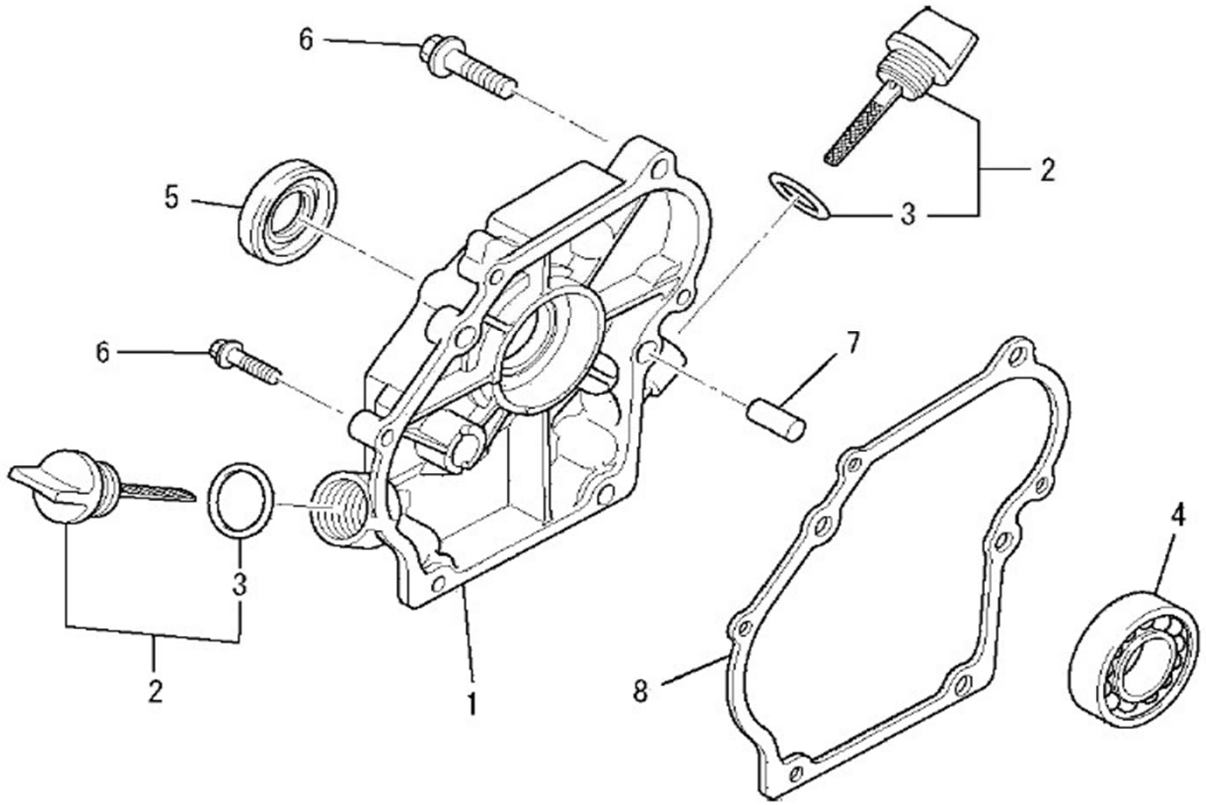
No.	Parts No.	Parts Name	No.Req'd	Inte Remarks	Assy No.	Price
13	KV75009BA	SHAFT,ROCKER ARM 摇臂轴	2			
14	FR34111	CLIP,PISTON PIN 摇臂轴挡圈	2			
15	KV90013AA	PLATE 板	1			
16	KW21023AA	SEAL,VALVE STEM 气门杆油封	1			
17	B800A06X016	BOLT,FLANGE 法兰螺柱	4			
18	B800B08X055	BOLT,FLANGE 法兰螺柱	4			
19	KU44001AA	PIN,DOWEL 定位销	2			
20	KC65002AA	GASKET,HEAD 气缸盖垫	1			

(C) HEAD COVER GROUP



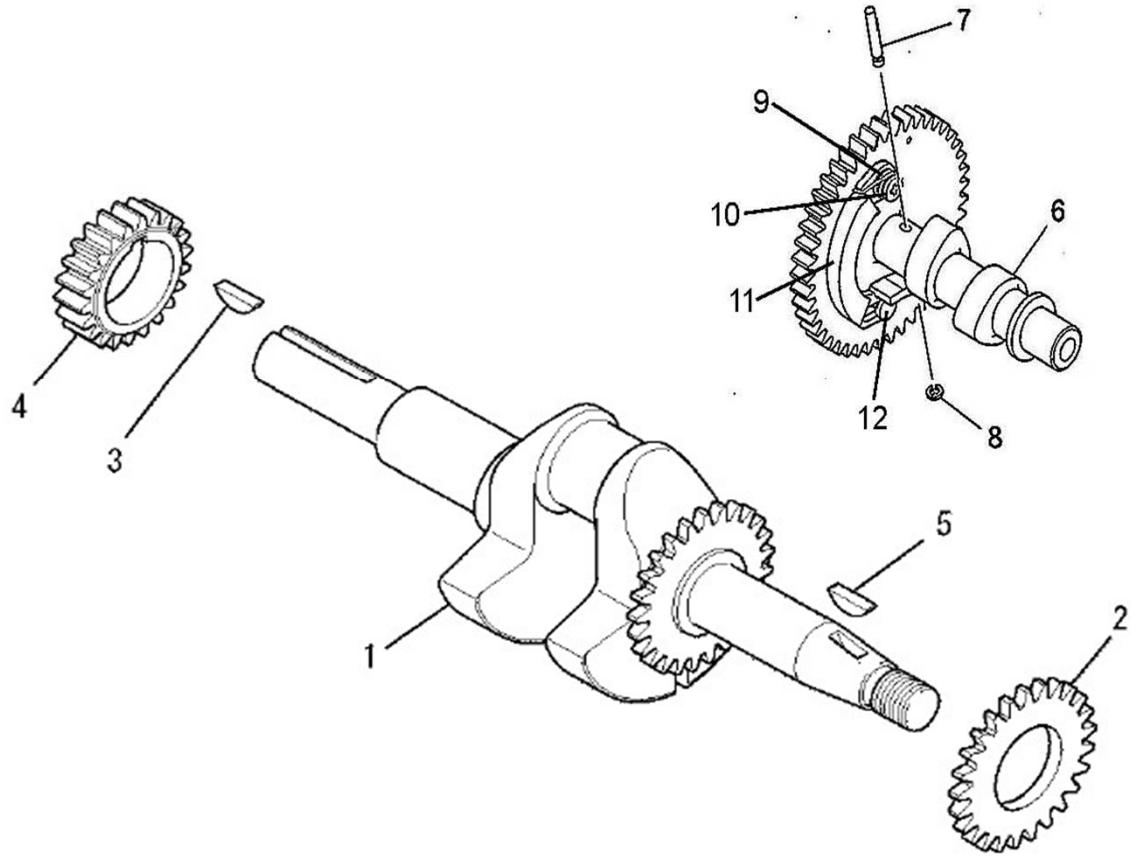
No.	Parts No.	Parts Name	No.Req'd	Inte Remarks	Assy No.	Price
1	KC09013AA	COVER,HEAD 气缸盖罩	1			
2	B800A06X012	BOLT,FLANGE 法兰螺柱	4			
3	KW33006AA	GASKET,HEAD COVER 气门室盖垫	1			

(D) CASE COVER GROUP



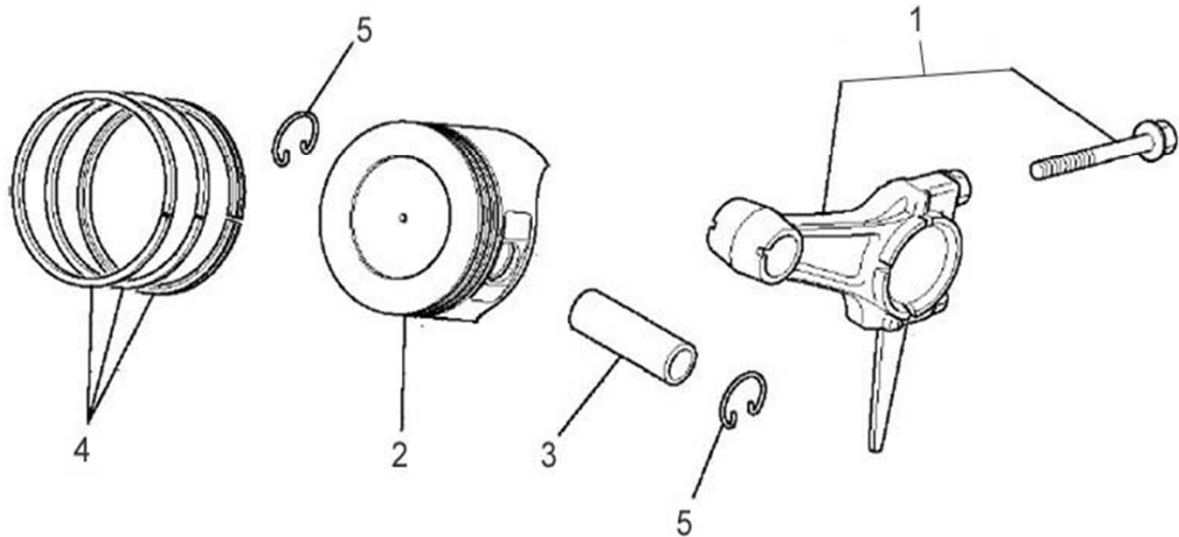
No.	Parts No.	Parts Name	No.Req'd	Inte Remarks	Assy No.	Price
1	KB61007AA	COVER,CRANKCASE 箱体侧盖	1	WITH 4/5/6	LB61007AA	
2	KL21016BA002	GAUGE,OIL 机油标尺	2	WITH 3	LL21016BA002	
3	KW23003AA	O-RING O型圈	2			
4	KW11011AA	BEARING,BALL 轴承	1	#6303		
5	KW22004AA	OIL SEAL 油封	1			
6	B800B06X025	BOLT,FLANGE 法兰螺柱	6			
7	KU44001AA	PIN,DOWEL 定位销	2			
8	KW31013AA	GASKET,CRANKCASE 曲轴箱垫	1			

(E) CRANKSHAFT GROUP



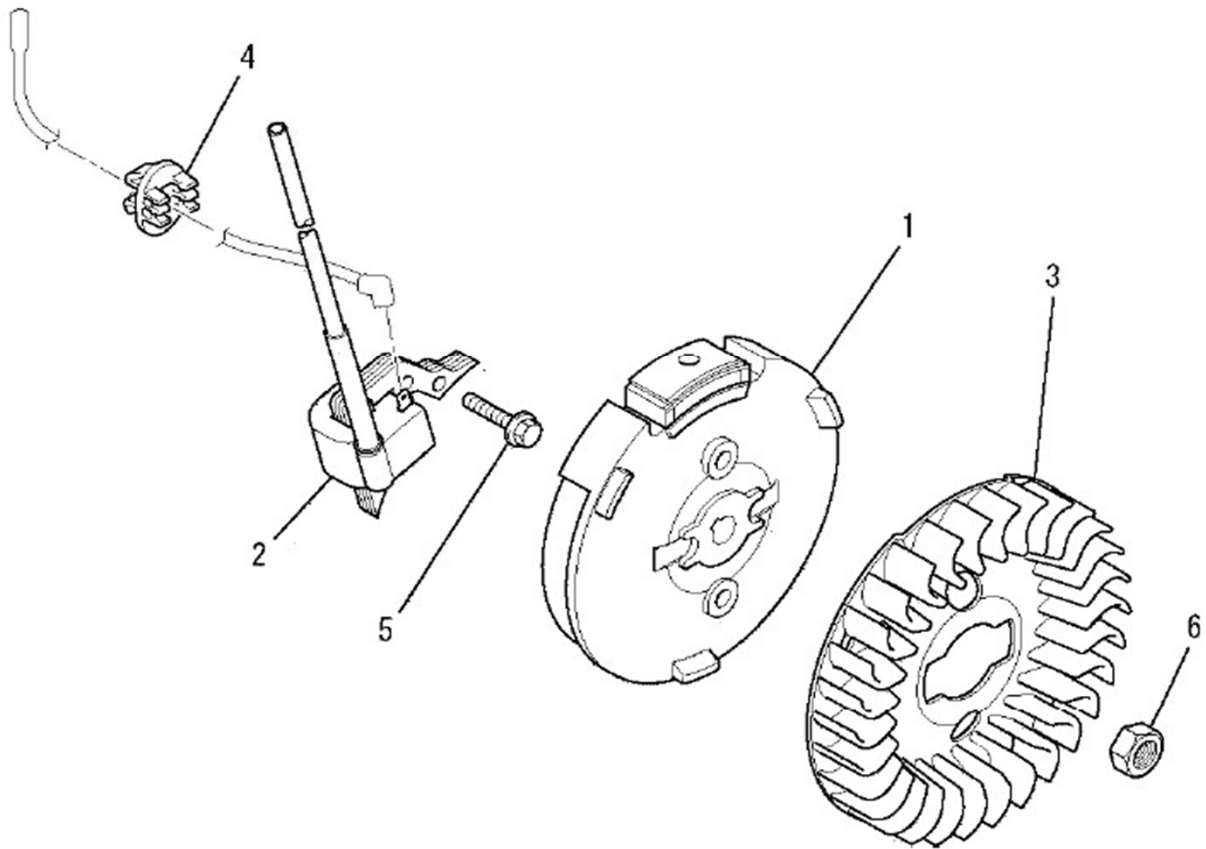
No.	Parts No.	Parts Name		No.Req'd	Inte Remarks	Assy No.	Price	
1	KD24003AA	CRANKHAFT	曲轴	1	WITH 2	LD24003AA		
2	KD63047AA	GEAR	齿轮	1				
3	W430B05X016	KEY,WOODRUFF	半圆键	1				
4	KD62019AA	GEAR,CRANKSHAFT	曲轴正时齿轮	1				
5	W430B05X016	KEY,WOODRUFF	半圆键	1				
6	KV13016AA	CAMSHAFT GEAR ASSY	凸轮轴	1	WITH 7/8/9/10/11/12	LV13016AA		
7	KV83010AH	PIN	销	1				
8	S500P03	SNAP RING	E型挡圈	1				
9	KV81005BA	SPRING	回位弹簧	1				
10	KV84008BA	RIVET	铆钉	1				
11	KV82011AA	FLYWEIGHT	减压飞块	1				
12	KV84010BA	RIVET	铆钉	1				

(F) PISTON & ROD GROUP



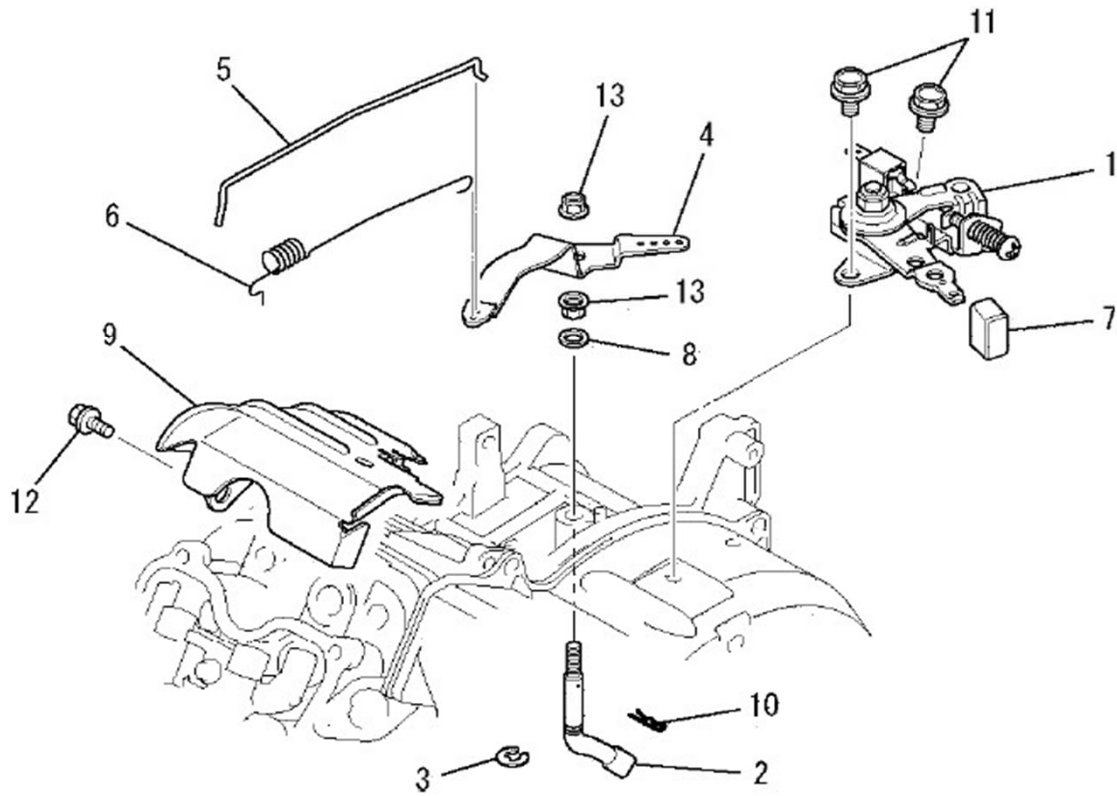
No.	Parts No.	Parts Name	No.Req'd	Inte Remarks	Assy No.	Price
1	KD03029AA	CONNECTING ROD ASSY 连杆总成	1			
2	KP15007AA	PISTON 活塞	1			
3	KP55003AA	PIN,PISTON 活塞销	1			
4	KP25005AA	RING,TOP 顶环	1		LP25005AA	
	KP35003AA	RING,2ND 二环	1			
	KP45003AA	RING,OIL 油环	1			
5	KP90002AA	CLIP,PISTON PIN 活塞销卡环	2			

(G) MAGNETO GROUP



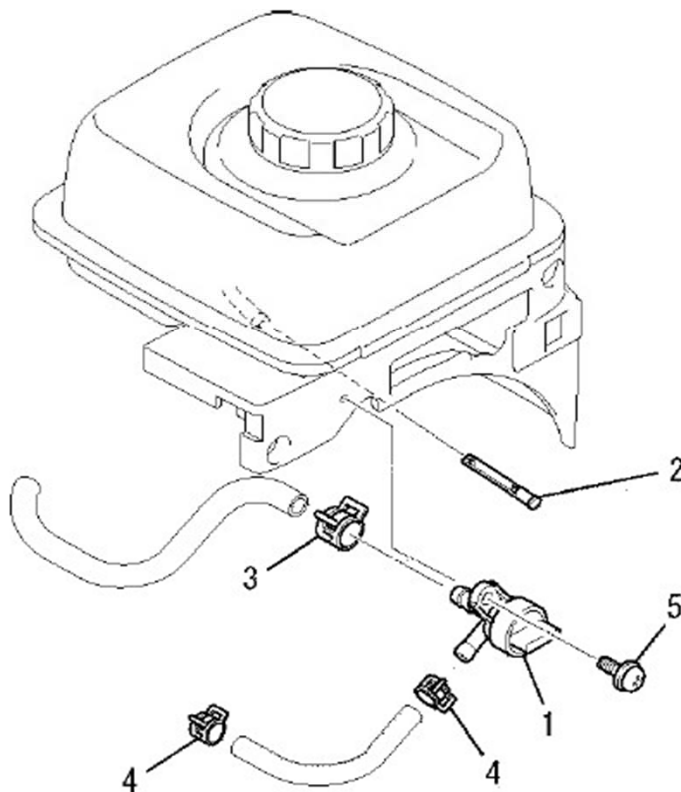
No.	Parts No.	Parts Name		No.Req'd	Inte Remarks	Assy No.	Price	
1	KE12036AA	FLYWHEEL	飞轮	1				
2	KE24019AA	COIL,IGNITION	点火线圈	1				
3	KE90200AA	FAN	风扇	1				
4	KU70007AA	CLIP	夹子	1				
5	B800A06X020	BOLT,FLANGE	法兰螺柱	2				
6	N030A12	NUT	螺母	1				

(J) CONTROL PANEL GROUP



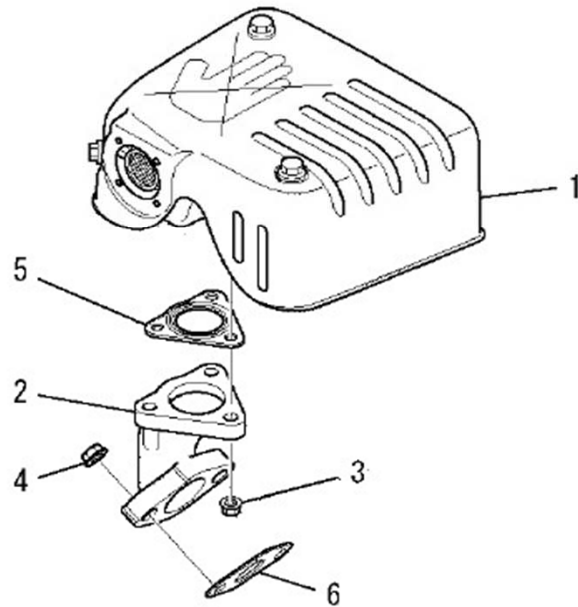
No.	Parts No.	Parts Name	No.Req'd	Inte Remarks	Assy No.	Price
1	KG03024BA	CONTROL PANEL ASSY 控制板总成	1			
2	KG22017AA	SHAFT,GOV 调速摇臂轴	1			
3	S500P07	SNAP RING E型挡圈	1			
4	KG31028AA	LEVER,GOV 调节杆	1			
5	KG41035AA	ROD,GOV 调速器拉杆	1			
6	KG42021AA	SPRING,ROD 调速拉杆弹簧	1			
7	KG90014AA	CAP 帽	1			
8	KG90023AA	WASHER 垫圈	1			
9	KH40056AB	COVER,TOP 顶罩	1			
10	KU70006AA	CLIP 夹子	1			
11	B800A06X008K	BOLT,FLANGE 法兰螺柱	2			
12	B800A06X012	BOLT,FLANGE 法兰螺柱	1			
13	FR42734	NUT,FLANGE 法兰螺母	2			

(N) COCK GROUP



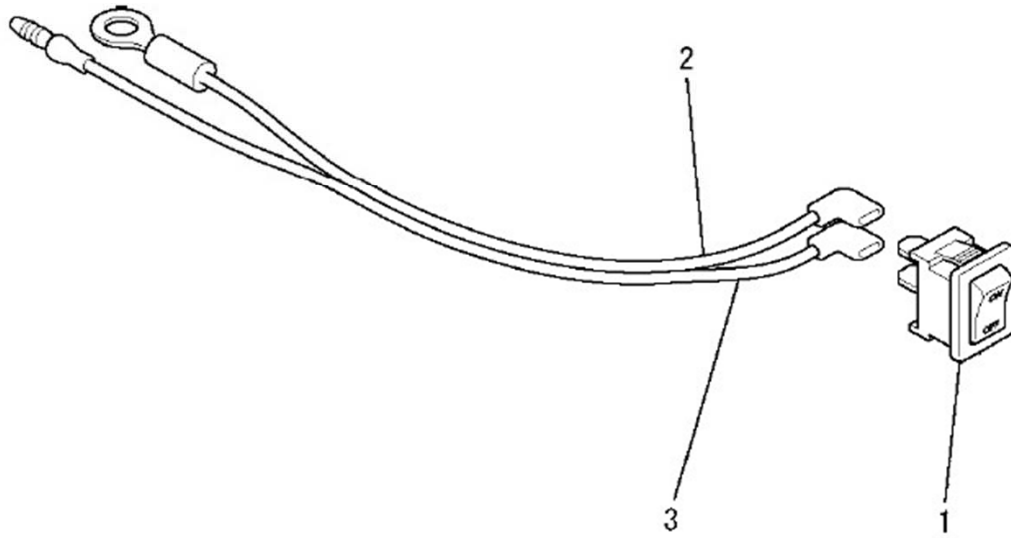
No.	Parts No.	Parts Name	No.Req'd	Inte Remarks	Assy No.	Price
1	KF31034AA	COCK,FUEL 燃油开关	1			
2	KF40012AA	FILTER,FUEL 燃油过滤杯	1			
3	KU70020AA	CLIP 夹子	1			
4	KU70021BA	CLIP 夹子	2			
5	KU12026AA	TAP-SCREW 自攻螺钉	1			

(S) MUFFLER GROUP



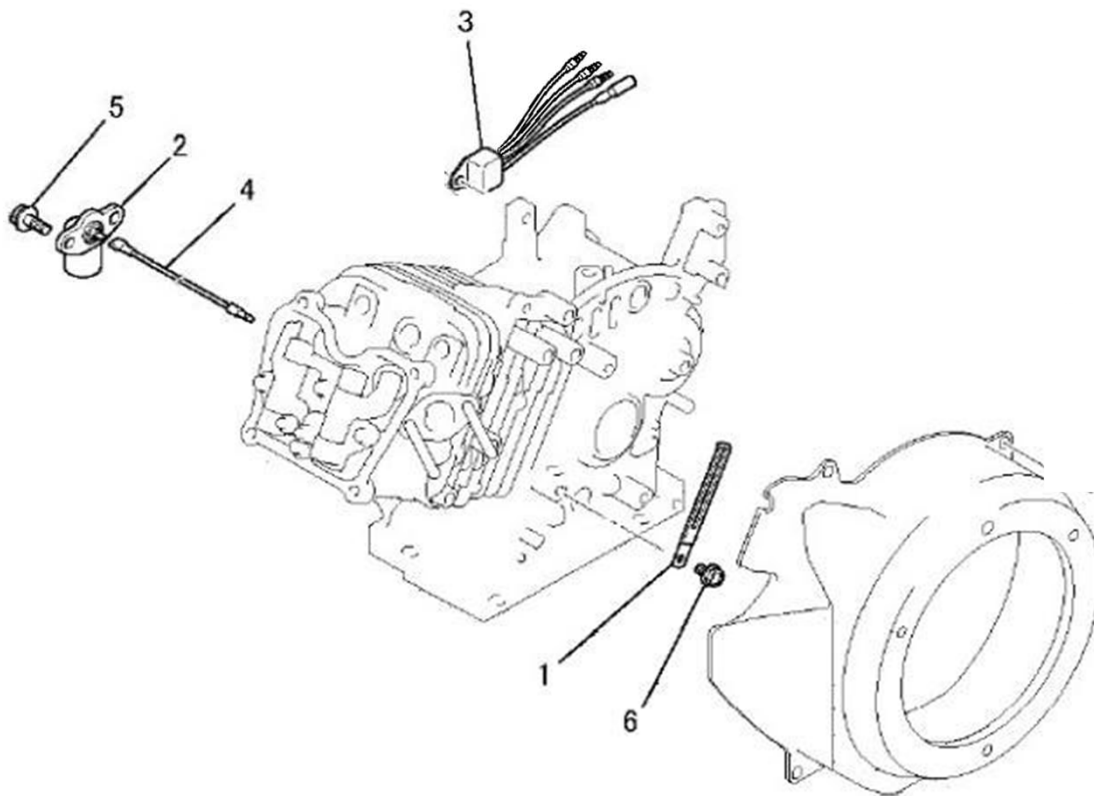
No.	Parts No.	Parts Name	No.Req'd	Inte Remarks	Assy No.	Price
1	KM02138AA	MUFFLER ASSY 消音器总成	1			
2	KM30021AA	PIPE,EXHAUST 排气管	1			
3	N801A06	NUT,FLANGE 法兰螺母	3			
4	ZZ70028C	NUT,CONICAL SPG 圆锥面螺母	2			
5	KM70043AA	GASKET,MUFFLER 排气管垫	1			
6	KM70040AA	GASKET,MUFFLER 消音器垫	1			

(U) SWITCH GROUP



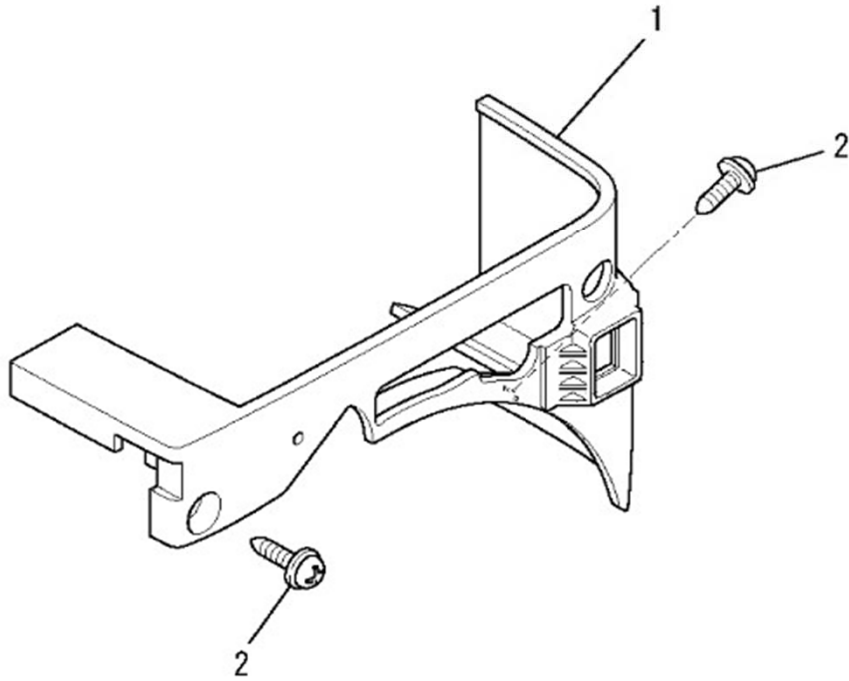
No.	Parts No.	Parts Name	No.Req'd	Inte Remarks	Assy No.	Price
1	KE80033BA	SWITCH, STOP 停机开关	1			
2	KE90190AA	WIRE,LEAD 导线	1			
3	KE90191AA	WIRE,LEAD 导线	1			

(W) OIL SENSOR GROUP



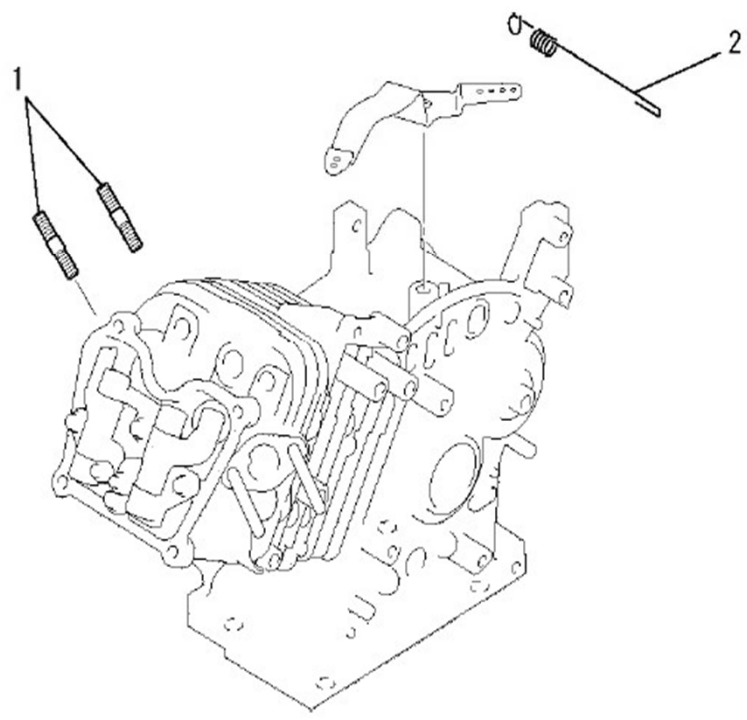
No.	Parts No.	Parts Name	No.Req'd	Inte Remarks	Assy No.	Price
1	FR64917	CLAMP 夹子	1			
2	KE09041AA	SENSOR,OIL 传感器	1			
3	KE34011AA	UNIT 报警器	1			
4	KE90013BA	WIRE,LEAD 导线	1			
5	B800A06X012	BOLT,FLANGE 法兰螺柱	2			
6	KU12051AA	BOLT,FLANGE 法兰螺柱	1			

(X) COVER GROUP



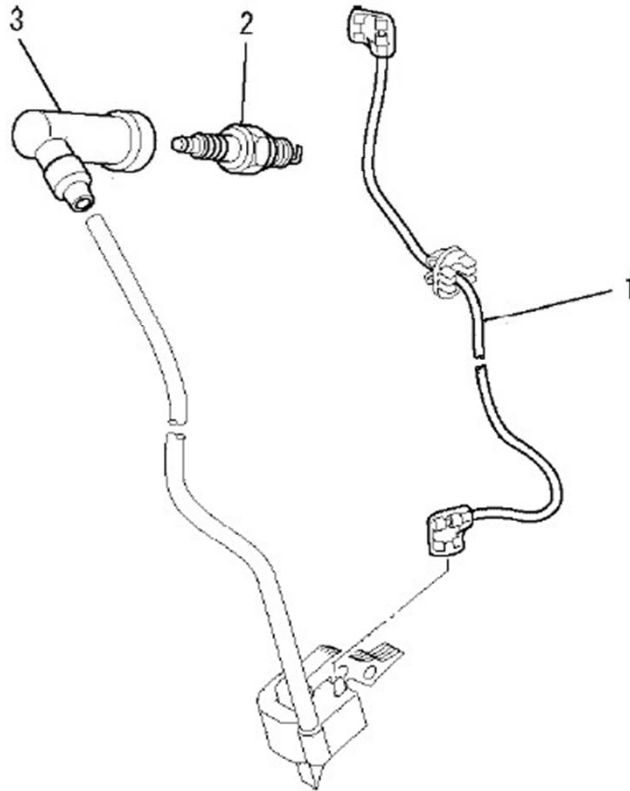
No.	Parts No.	Parts Name	No.Req'd	Inte Remarks	Assy No.	Price
1	KR40029DA	COVER,FRONT 前罩	1			
2	KU12025AA	TAP-SCREW 自攻螺钉	2			

1. BOLT, SPRING, COVER



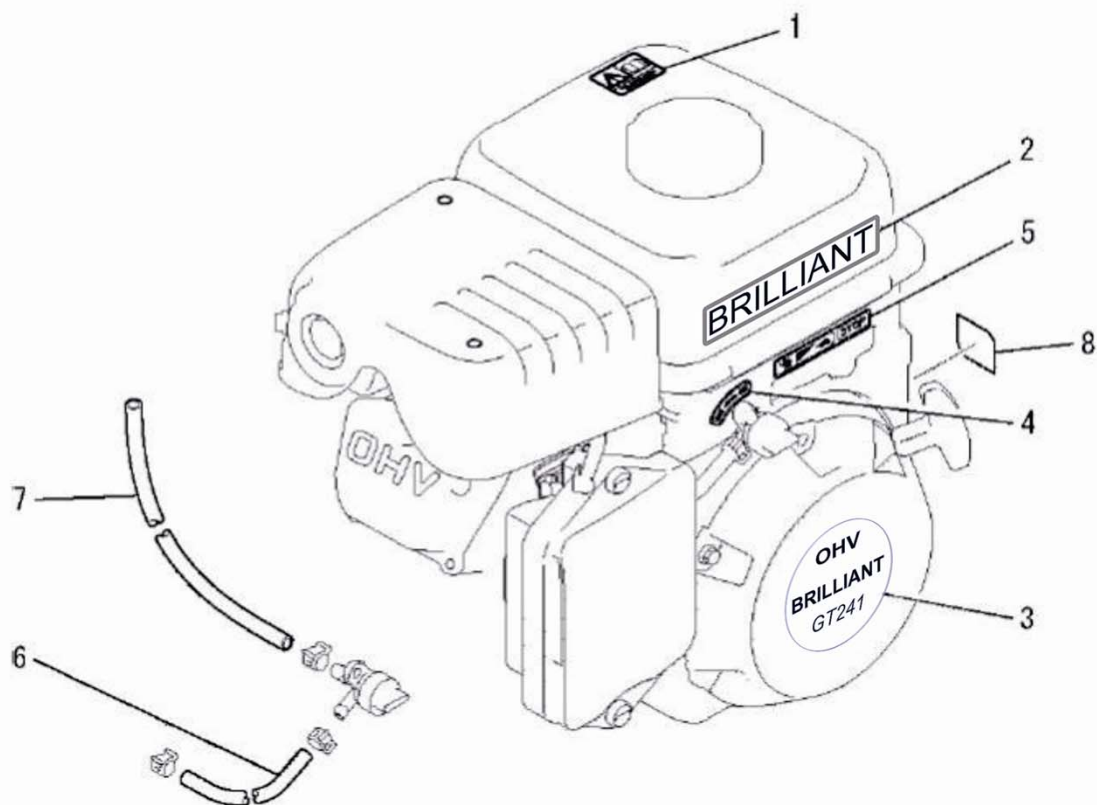
No.	Parts No.	Parts Name		No.Req'd	Inte Remarks	Assy No.	Price
1	B151B08X020	BOLT,STUD	双头螺柱	2			
2	KG34031BA	SPRING,GOV	调速器弹簧	1			

2. LEAD WIRE, PLUG, CAP



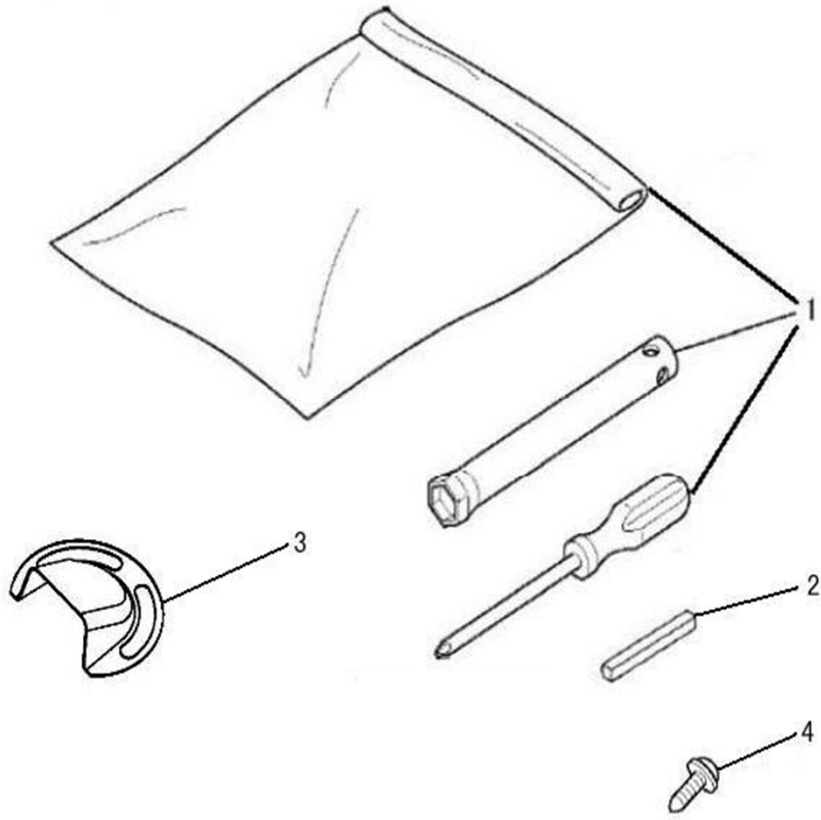
No.	Parts No.	Parts Name		No.Req'd	Inte Remarks	Assy No.	Price
1	KE90069AA	WIRE,LEAD	导线	1			
2	BE41009AB	PLUG,SPARK	火花塞	1			
3	BE42030AA	CAP,PLUG	火花塞帽	1			

3. LABEL, FUEL HOSE



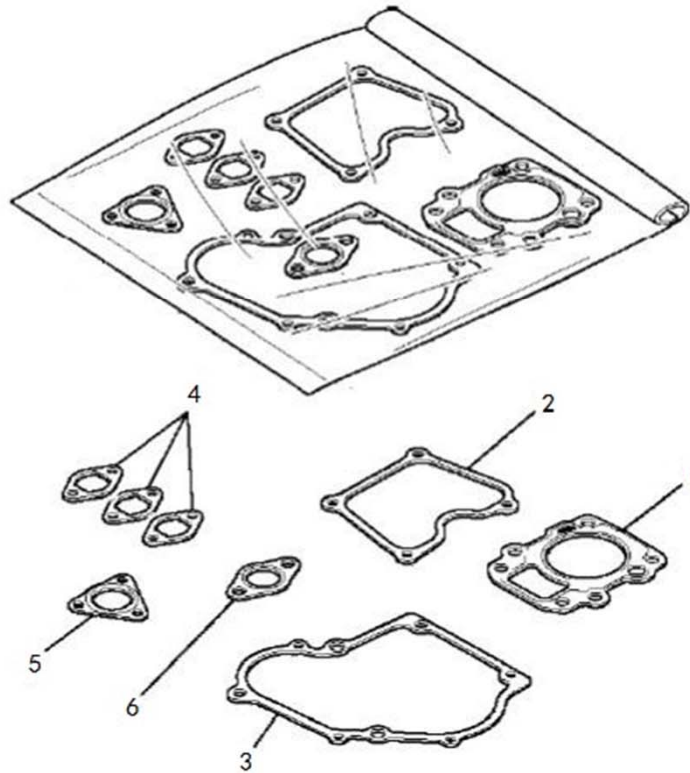
No.	Parts No.	Parts Name	No.Req'd	Inte Remarks	Assy No.	Price
1	KW55042AA	LABEL 警示标贴	1			
2	BW55113AA	LABEL 长标贴	1			
3	BW52374AA	LABEL,NAME 圆标贴	1			
4	KW56316AA	LABEL 燃油开关标贴	1			
5	KW56112AA	LABEL 龟兔标贴	1			
6	KF90139AA100	HOSE,FUEL 燃油管	1			
7	KF90140AA090	HOSE,FUEL 燃油管	1			
8	BW56254AA	EMISSION,LABEL 排放标贴	1			

4. TOOL SET



No.	Parts No.	Parts Name		No.Req'd	Inte Remarks	Assy No.	Price
1	KN01018AA	TOOL,SET	工具组件	1			
2	W405B05X35	KEY,SUNK	平键	1			
3	FA28221	PIPE,TAIL	导风罩	1			
4	W006D04X006K	SCREW	螺钉	2			

5. GASKET SET



No.	Parts No.	Parts Name	No.Req'd	Inte Remarks	Assy No.	Price
1	KC65002AA	GASKET,HEAD 气缸盖垫	1			
2	KW33006AA	GASKET,HEAD COVER 气门室盖垫	1			
3	KW31013AA	GASKET,CRANKCASE 曲轴箱垫	1			
4	KW34058AA	GASKET,CARBURETOR 化油器垫	3			
5	KM70043AA	GASKET,MUFFLER 排气管垫	1			
6	KM70040AA	GASKET,MUFFLER 消音器垫	1			