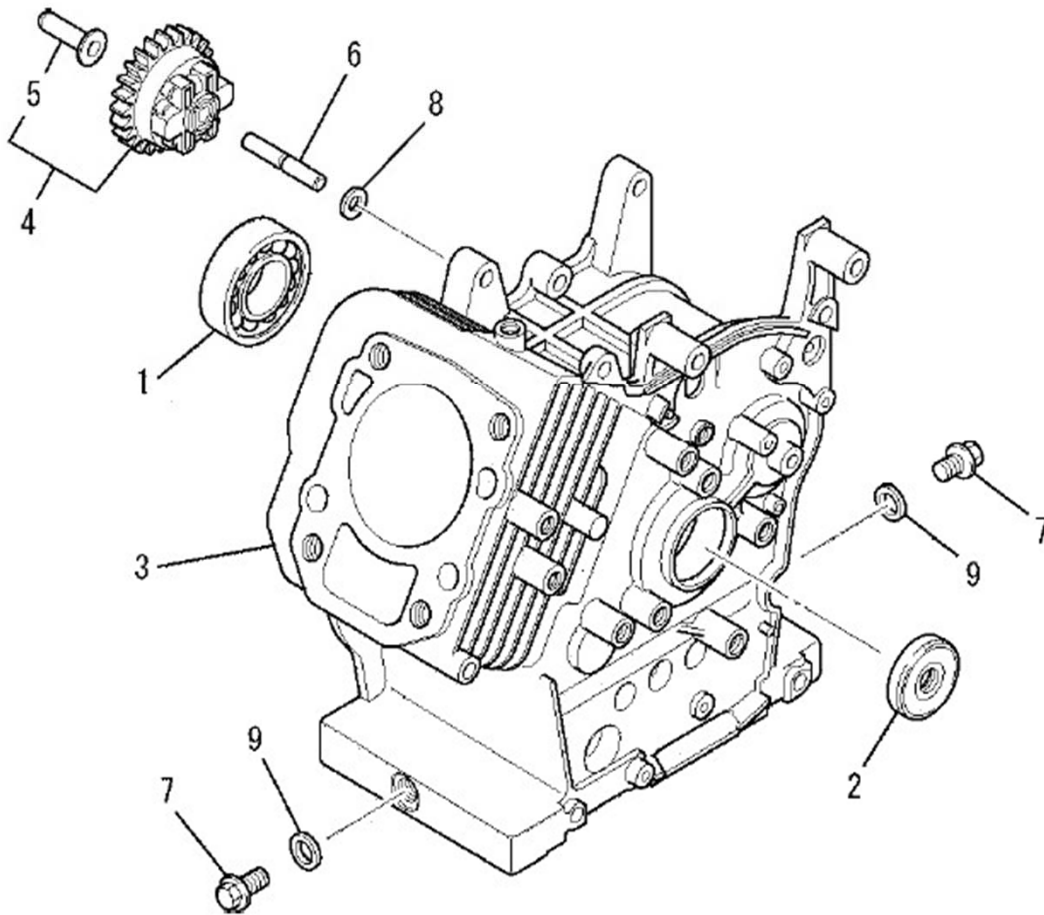


PARTS CATALOG 零件目录

**BRILLIANT AIR-COOLED  
GASLINE ENGINE  
博联风冷汽油发动机**

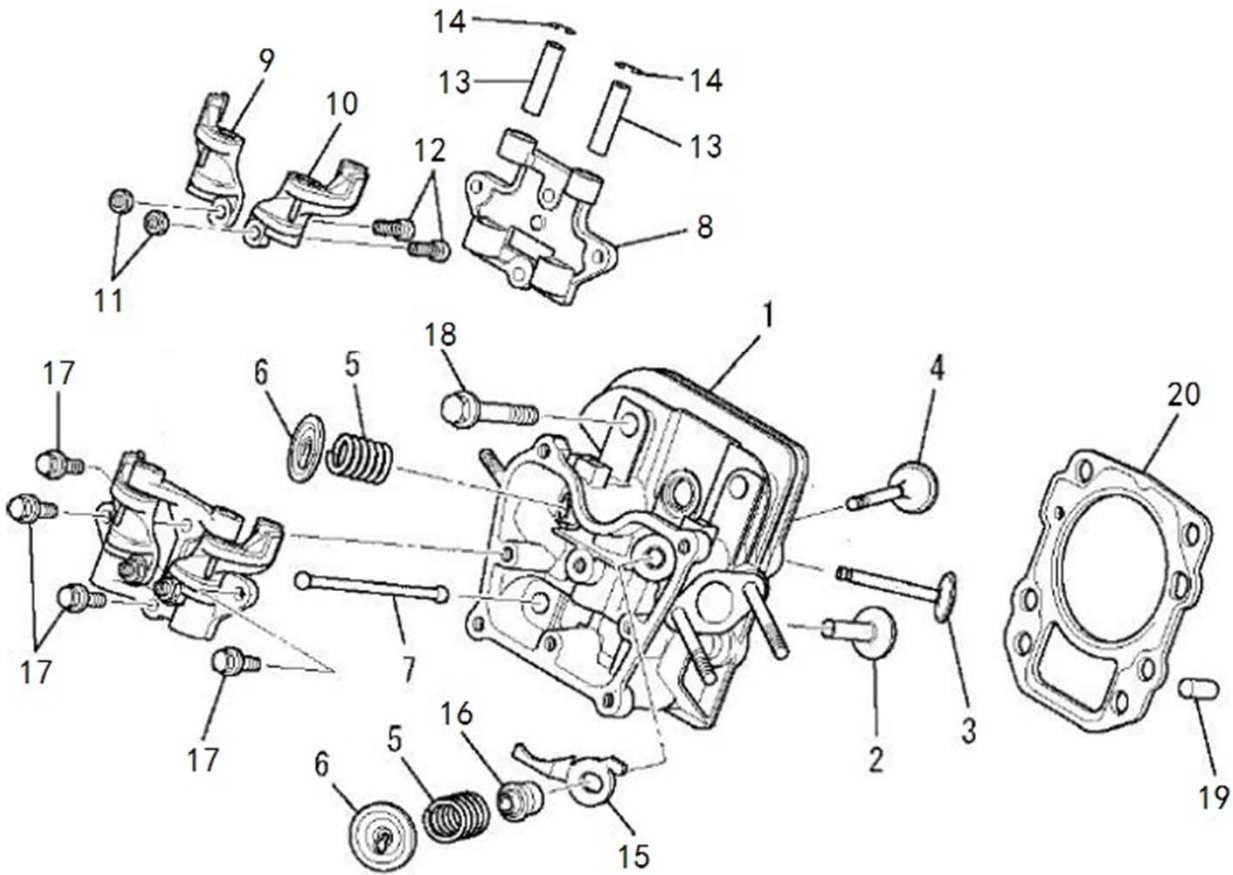
**MODEL 型号: GT400PN-PTT**

## (A) CYLINDER BLOCK GROUP



No.	Parts No.	Parts Name	No.Req'd	Inte Remarks	Assy No.	Price
1	KW11025AA	BEARING,BALL 轴承	1	#6204		
2	KW23008AA	OIL SEAL 油封	1			
3	KB43011CA	CYLINDER BLOCK 气缸箱体	1	WITH 1/2/4/5/6/7/8/9	LB43011CA	
4	BG01003BA	GOVERNOR GEAR ASSY 调速齿轮总成	1			
5	BG14005AA	SLIDER,GOV 滑套	1			
6	KG22022AA	SHAFT,GOV 调速轴	1			
7	KL22003AA	PLUG,DRAIN 放油螺塞	2			
8	W200H06	WASHER 垫圈	1			
9	KW39070AA	GASKET 垫片	2			

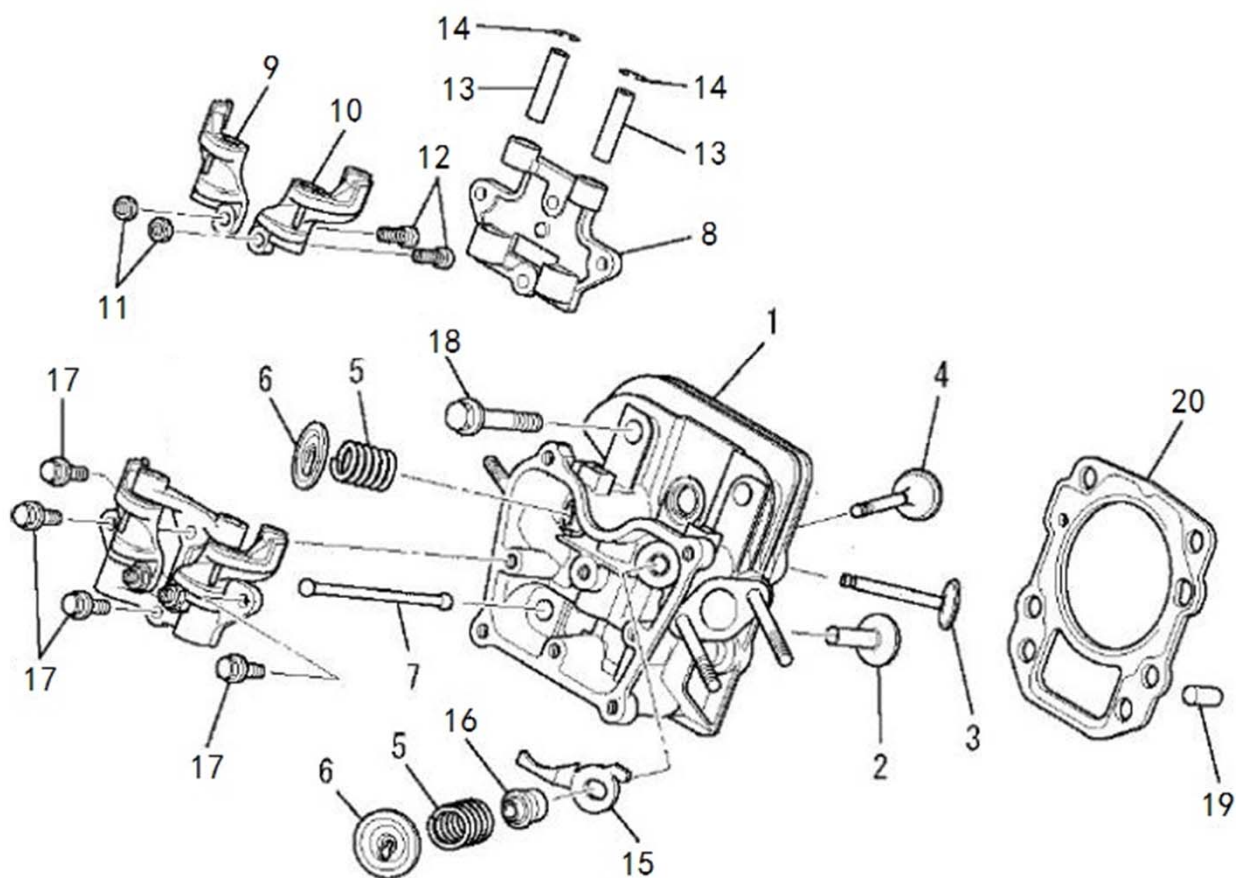
# (B) CYLINDER HEAD GROUP



No.	Parts No.	Parts Name	No.Req'd	Inte Remarks	Assy No.	Price
1	KC02050AA	CYLINDER HEAD ASSY 气缸盖总成	1	MARK 1	LC02050AA	
2	KV24011AA	TAPPET 挺柱	2			
3	KV43008AA	VALVE,EXHAUST 排气门	1			
4	KV33004AA	VALVE,INTAKE 进气门	1			
5	KV54002AA	SPRING,VALVE 气门弹簧	2			
6	KV64004AA	RETAINER,VALVE SPG 气门弹簧座	2			
7	KV71009AA	ROD,PUSH 推杆	2			
8	KV74006AA	PLATE 气门摇臂座	1	WITH 9/10/11/12/13/14	LV74006AA	
9	KV72016AA	ARM,ROCKER 摇臂	1			
10	KV72017AA	ARM,ROCKER 摇臂	1			
11	KU23013AA	NUT 螺母	2			
12	KV73005AA	SCREW,ADJUST 调整螺钉	2			

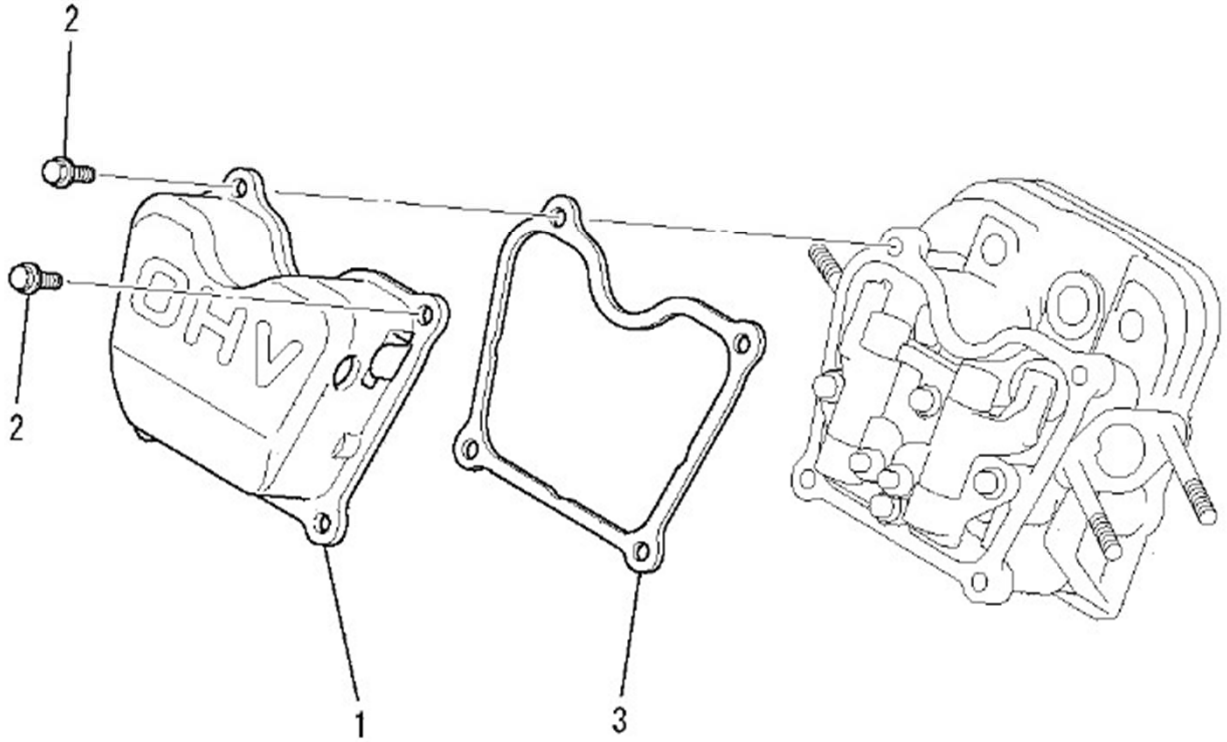
MARK 1: WITH B151B06X075/B151B08X020/3/4/5/6/15/16

# (B) CYLINDER HEAD GROUP



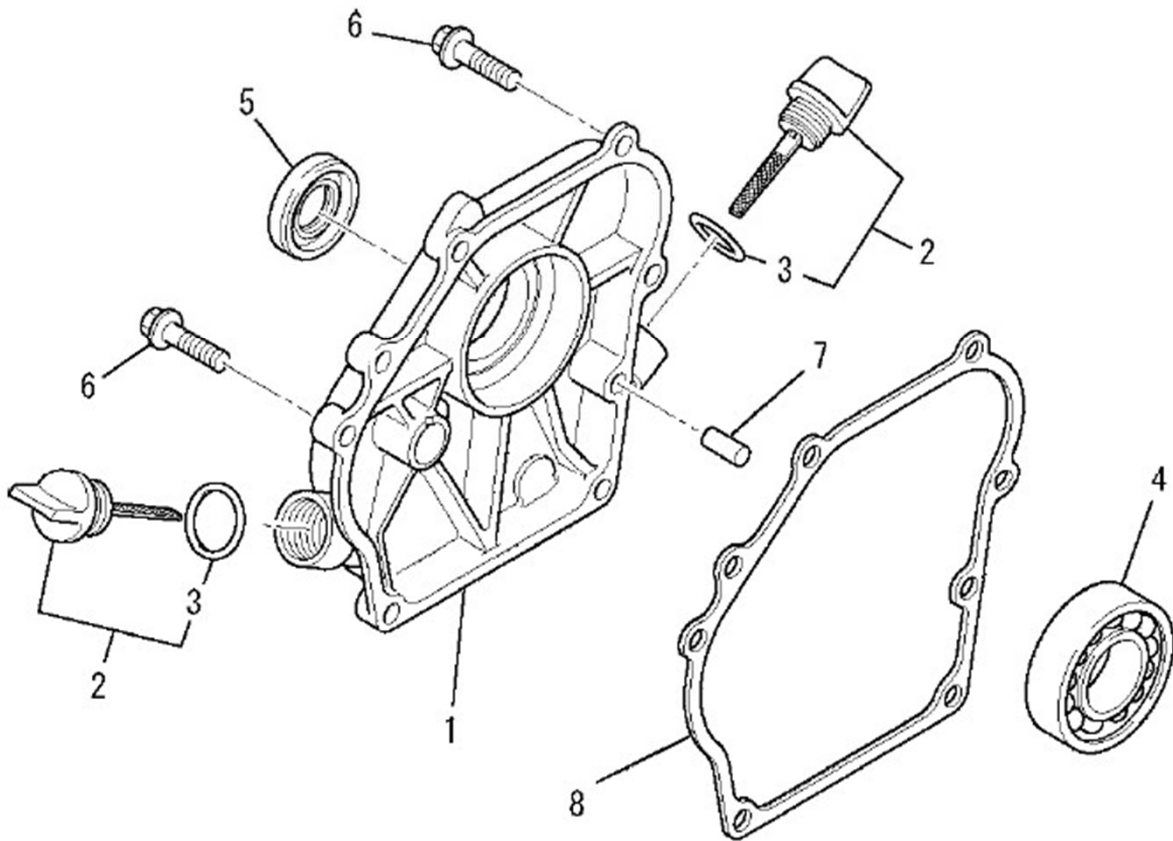
No.	Parts No.	Parts Name	No.Req'd	Inte Remarks	Assy No.	Price
13	KV75009BA	SHAFT, ROCKER ARM 摇臂轴	2			
14	FR34111	CLIP,PISTON PIN 摇臂轴挡圈	2			
15	KV90029AA	PLATE 板	1			
16	KW21023AA	SEAL,VALVE STEM 气门杆油封	1			
17	B800A06X016	BOLT,FLANGE 法兰螺柱	4			
18	B800B08X055	BOLT,FLANGE 法兰螺柱	4			
19	KU44001AA	PIN,DOWEL 定位销	2			
20	KC66014AA	GASKET,HEAD 气缸盖垫	1			

# (C) HEAD COVER GROUP



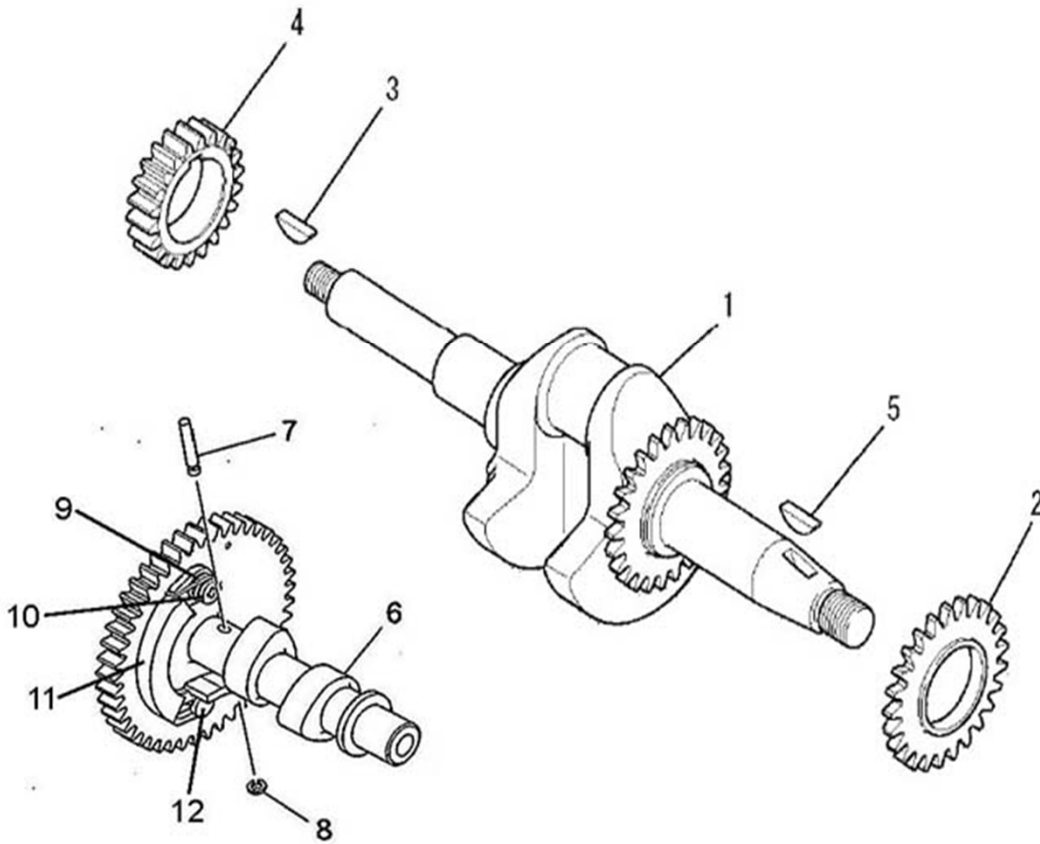
No.	Parts No.	Parts Name		No.Req'd	Inte Remarks	Assy No.	Price
1	KC09013AA	COVER,HEAD	气缸盖罩	1			
2	B800A06X012	BOLT,FLANGE	法兰螺柱	4			
3	KW33006AA	GASKET,HEAD COVER	气门室盖垫	1			

# (D) CASE COVER GROUP



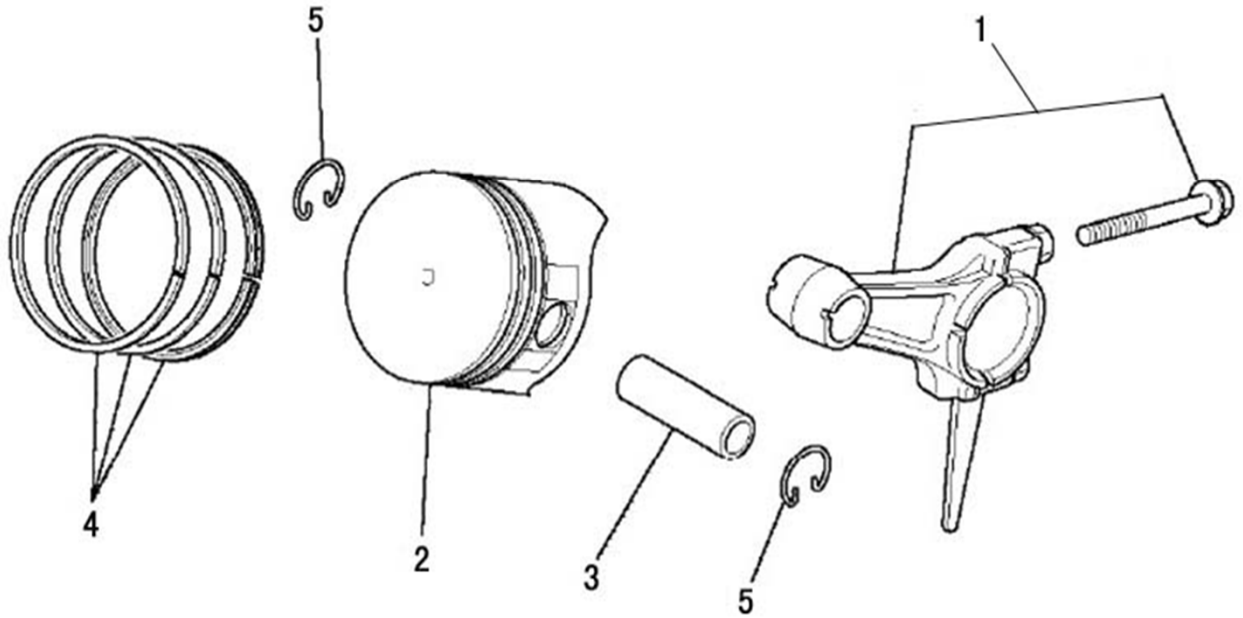
No.	Parts No.	Parts Name	No.Req'd	Inte Remarks	Assy No.	Price
1	KB63004AA	COVER,CRANKCASE 箱体侧盖	1	WITH 4/5	LB63004AA	
2	KL21016BA002	GAUGE,OIL 机油标尺	2	WITH 3	LL21016BA002	
3	KW23003AA	O-RING O型圈	2			
4	KW11019AA	BEARING,BALL 轴承	1	#6305		
5	KW23009AA	OIL SEAL 油封	1			
6	B800B08X030	BOLT,FLANGE 法兰螺柱	6			
7	KU44001AA	PIN,DOWEL 定位销	2			
8	KW31014AA	GASKET,CRANKCASE 曲轴箱垫	1			

# (E) CRANKSHAFT GROUP



No.	Parts No.	Parts Name		No.Req'd	Inte Remarks	Assy No.	Price	
1	KD25008CA	CRANKSHAFT	曲轴	1	WITH 2	LD25008CA		
2	KD63048AA	GEAR	齿轮	1				
3	W430B05X016	KEY,WOODRUFF	半圆键	1				
4	KD62020AA	GEAR,CRANKSHAFT	曲轴正时齿轮	1				
5	W430B05X016	KEY,WOODRUFF	半圆键	1				
6	KV13017AA	CAMSHAFT	凸轮轴	1	WITH 7/8/9/10/11/12	LV13017AA		
7	KV83010AB	PIN	销	1				
8	S500P03	SNAP RING	E型挡圈	1				
9	KV81005BA	SPRING	回位弹簧	1				
10	KV84008BA	RIVET	铆钉	1				
11	KV82011AA	FLYWEIGHT	减压飞块	1				
12	KV84010BA	RIVET	铆钉	1				

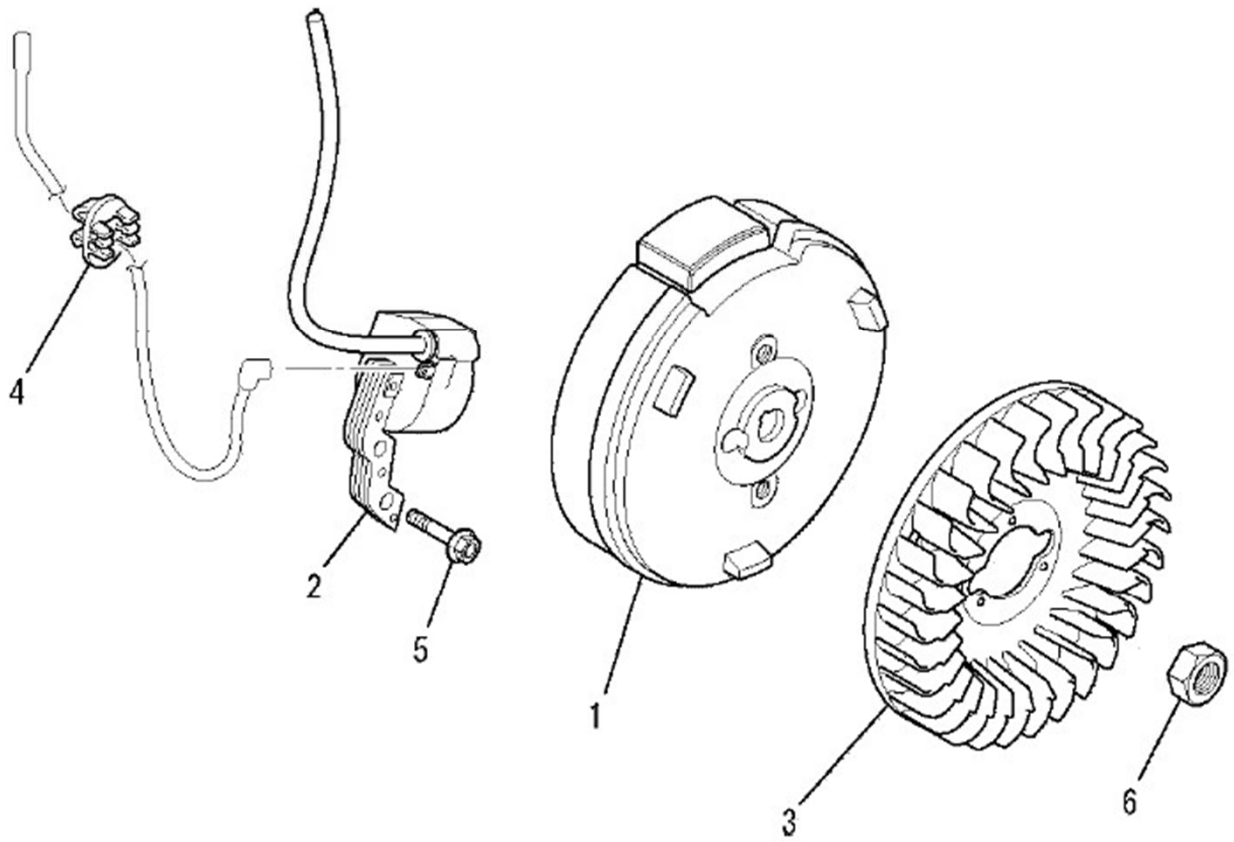
# (F) PISTON & ROD GROUP



No.	Parts No.	Parts Name	No.Req'd	Inte Remarks	Assy No.	Price
1	KD03030AA	CONNECTING ROD ASSY 连杆总成	1			
2	KP16011AA	PISTON 活塞	1			
3	KP55003BA	PIN,PISTON 活塞销	1			
4	KP26010AA	RING,TOP 顶环	1		LP26010AA	
	KP36009AA	RING,2ND 二环	1			
	KP46007AA	RING,OIL 油环	1			
5	KP90002AA	CLIP,PISTON PIN 活塞销卡环	2			

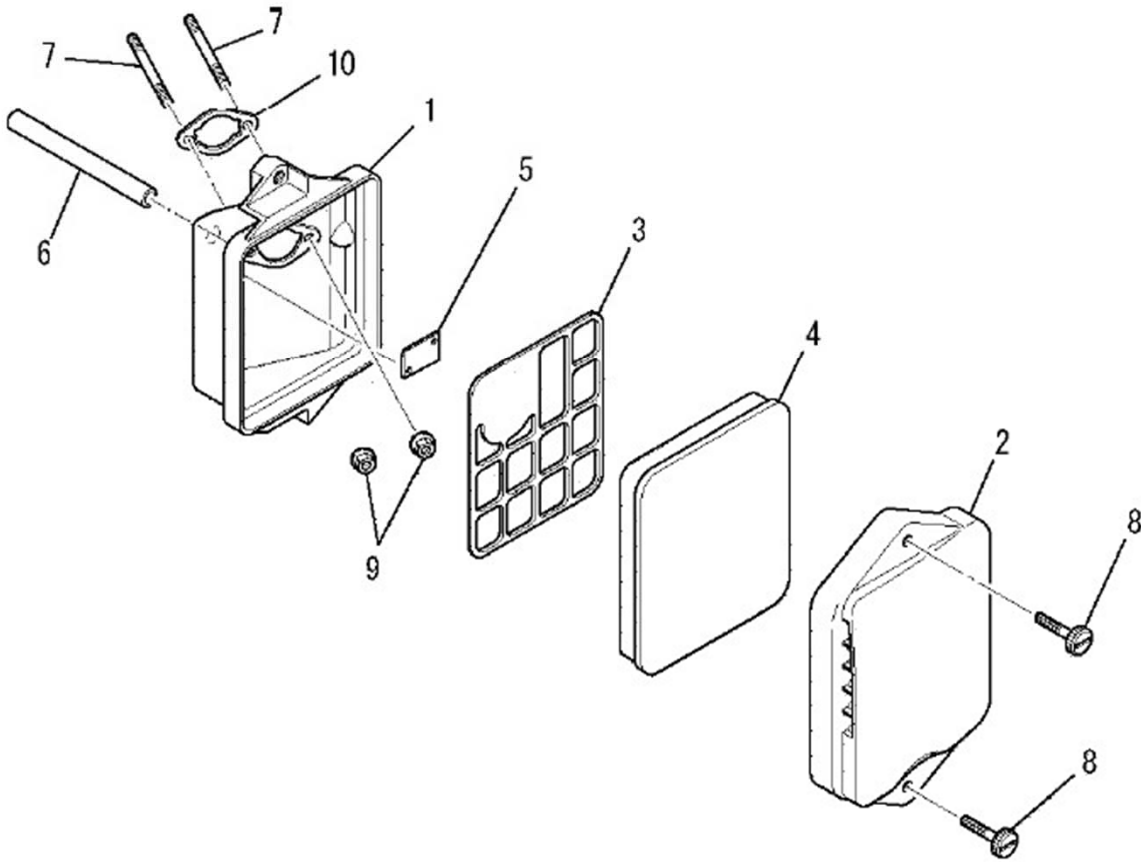


# (G) MAGNETO GROUP



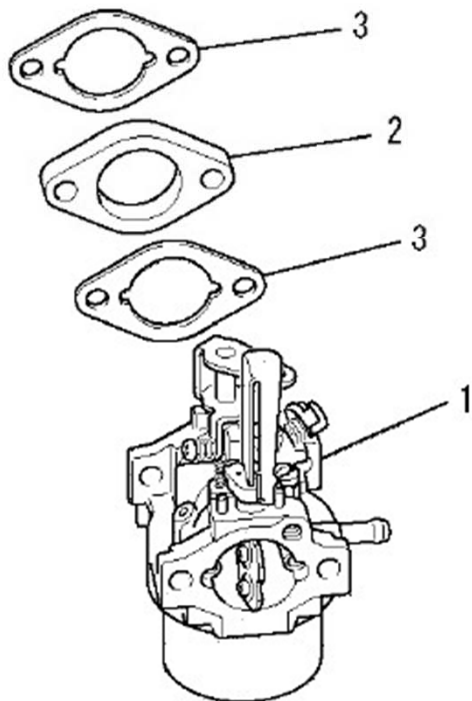
No.	Parts No.	Parts Name	No.Req'd	Inte Remarks	Assy No.	Price
1	KE12040AA	FLYWHEEL 飞轮	1			
2	KE24020AA	COIL,IGNITION 点火线圈	1			
3	KE90201AA	FAN 风扇	1			
4	KU70007AA	CLIP 夹子	1			
5	B800A06X020	BOLT,FLANGE 法兰螺柱	2			
6	FR41231	NUT 螺母	1			

# (H) AIR CLEANER GROUP



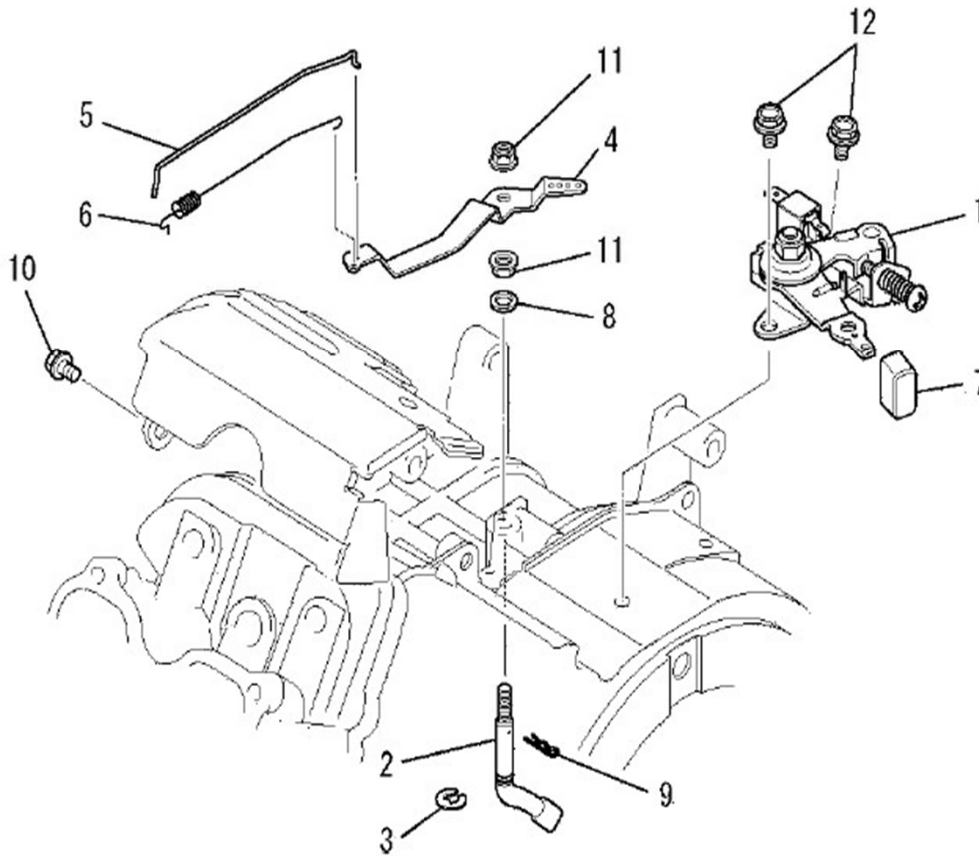
No.	Parts No.	Parts Name	No.Req'd	Inte Remarks	Assy No.	Price
1	BA11022AA	CASE,CLEANER 空滤器体	1			
2	BA20070AA	COVER,CLEANER 空滤器罩	1			
3	KA30024BA	GRID 滤芯挡板	1			
4	KA40074AA	ELEMENT,CLEANER 空滤器芯	1			
5	KA90122AA	PLATE 板	1			
6	KL41005BA	TUBE,BREATHER 通气管	1			
7	B151B06X075	BOLT,STUD 双头螺柱	2			
8	KA90124AA	BOLT 螺栓	2			
9	N801A06	NUT,FLANGE 法兰螺母	2			
10	KW34054AA	GASKET,CARBURETOR 化油器垫	1			

# (I) CARBURETOR GROUP



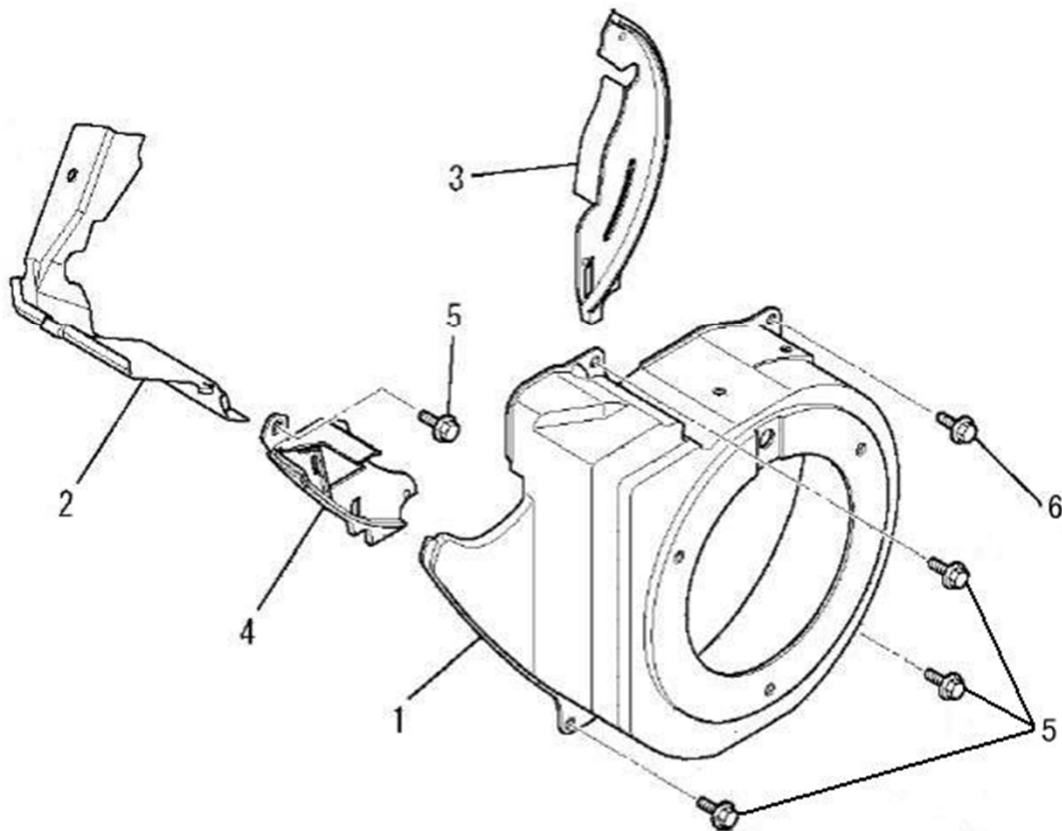
No.	Parts No.	Parts Name		No.Req'd	Inte Remarks	Assy No.	Price	
1	KK12049EB	CARBURETOR(F)	化油器	1				
2	KK33005AA	INSULATOR	化油器绝热垫	1				
3	KW34029AA	GASKET,CARBURETOR	化油器垫	2				

# (J) CONTROL PANEL GROUP



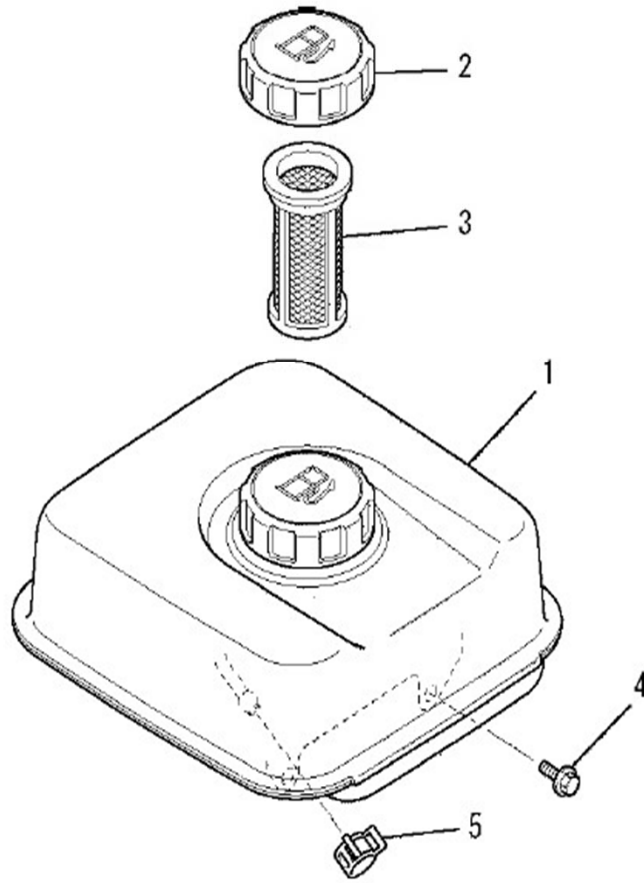
No.	Parts No.	Parts Name	No.Req'd	Inte Remarks	Assy No.	Price
1	KG03025BA	CONTROL PANEL ASSY 控制板总成	1			
2	KG22017AA	SHAFT,GOV 调速摇臂轴	1			
3	S500P07	SNAP RING E型挡圈	1			
4	KG31029AA	LEVER,GOV 调节杆	1			
5	KG41021AA	ROD,GOV 调速拉杆	1			
6	KG42017AA	SPRING,ROD 调速拉杆弹簧	1			
7	KG90014AA	CAP 帽	1			
8	KG90023AA	WASHER 垫圈	1			
9	KU70006AA	CLIP 夹子	1			
10	B800A06X012	BOLT,FLANGE 法兰螺柱	1			
11	FR42734	NUT,FLANGE 法兰螺母	2			
12	B800A06X008K	BOLT,FLANGE 法兰螺柱	2			

# (K) FAN COVER GROUP



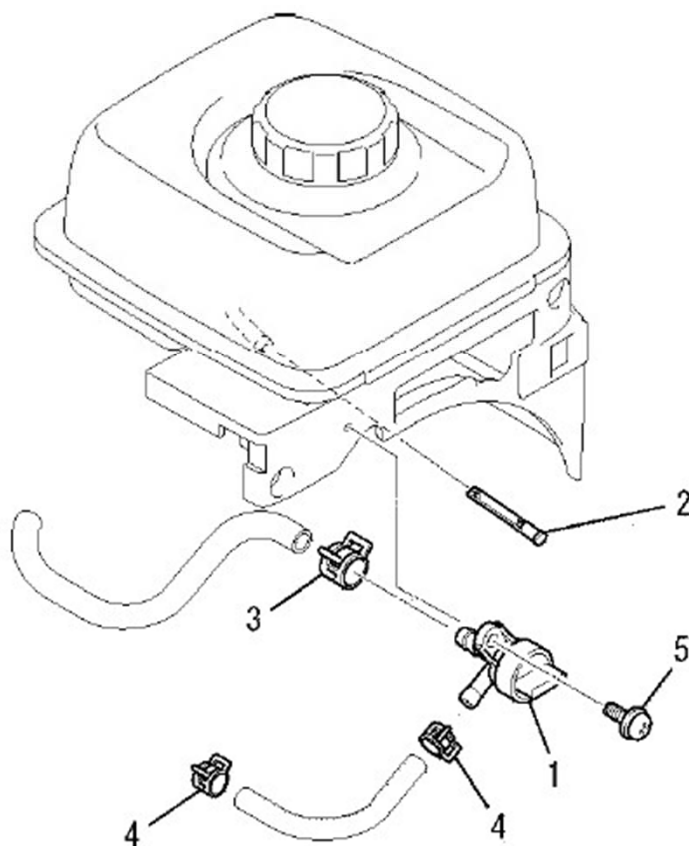
No.	Parts No.	Parts Name		No.Req'd	Inte Remarks	Assy No.	Price
1	KH25012AA	COVER,FAN	风扇罩	1			
2	KH40066CA	COVER,CYLINDER	气缸罩	1			
3	BH90052AA	COVER	罩	1			
4	BH90053BA	COVER	罩	1			
5	B800A06X012	BOLT,FLANGE	法兰螺柱	4			
6	B800A06X016	BOLT,FLANGE	法兰螺柱	1			

# (M) TANK GROUP



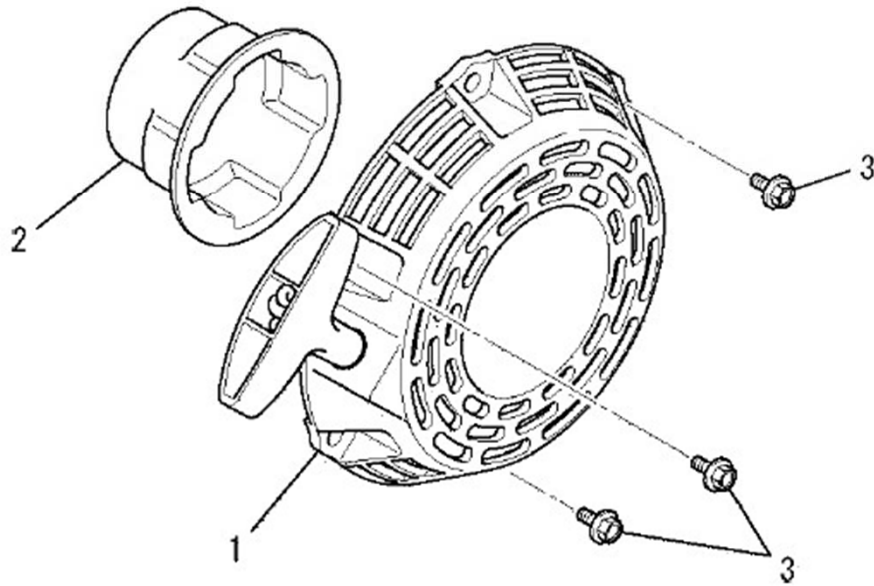
No.	Parts No.	Parts Name	No.Req'd	Inte Remarks	Assy No.	Price
1	BF12088AA	TANK FUEL 燃油箱	1			
2	KF22003AA	CAP,FUEL TANK 油箱盖	1			
3	KF40014AA	FILTER,FUEL 燃油过滤杯	1			
4	B800A06X016	BOLT,FLANGE 法兰螺柱	4			
5	KU70021AA	CLIP 夹子	1			

# (N) COCK GROUP



No.	Parts No.	Parts Name	No.Req'd	Inte Remarks	Assy No.	Price
1	KF31034AA	COCK,FUEL 燃油开关	1			
2	KF40012AA	FILTER,FUEL 燃油过滤杯	1			
3	KU70020AA	CLIP 夹子	1			
4	KU70021BA	CLIP 夹子	2			
5	KU12026AA	TAP-SCREW 自攻螺钉	1			

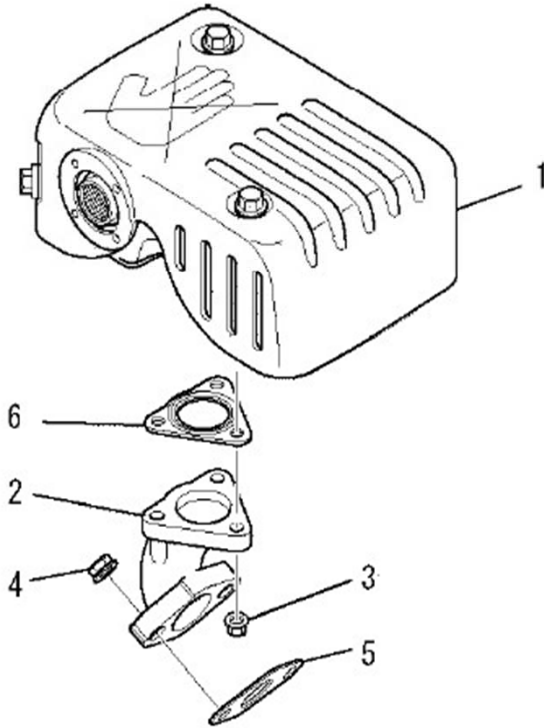
# (R) RECOIL STARTER GROUP



No.	Parts No.	Parts Name	No.Req'd	Inte Remarks	Assy No.	Price
1	KS20123AA	RECOIL STARTER ASSY 启动拉盘	1			
2	KS30040CA	PULLEY,STARTER 启动杯	1			
3	B800A06X010K	BOLT,FLANGE 法兰螺柱	3			

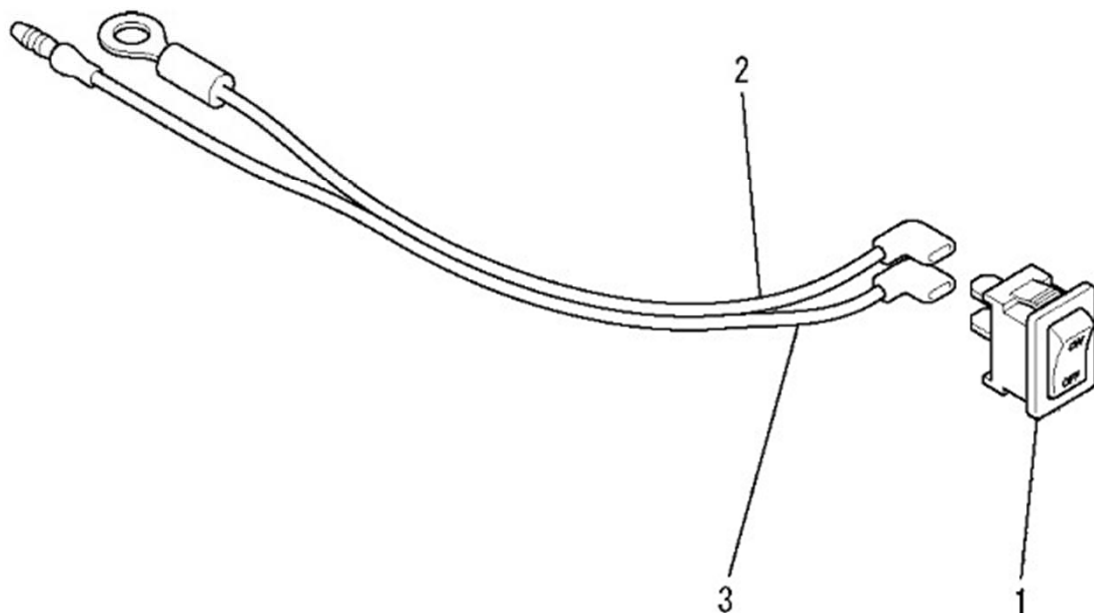


# (S) MUFFLER GROUP



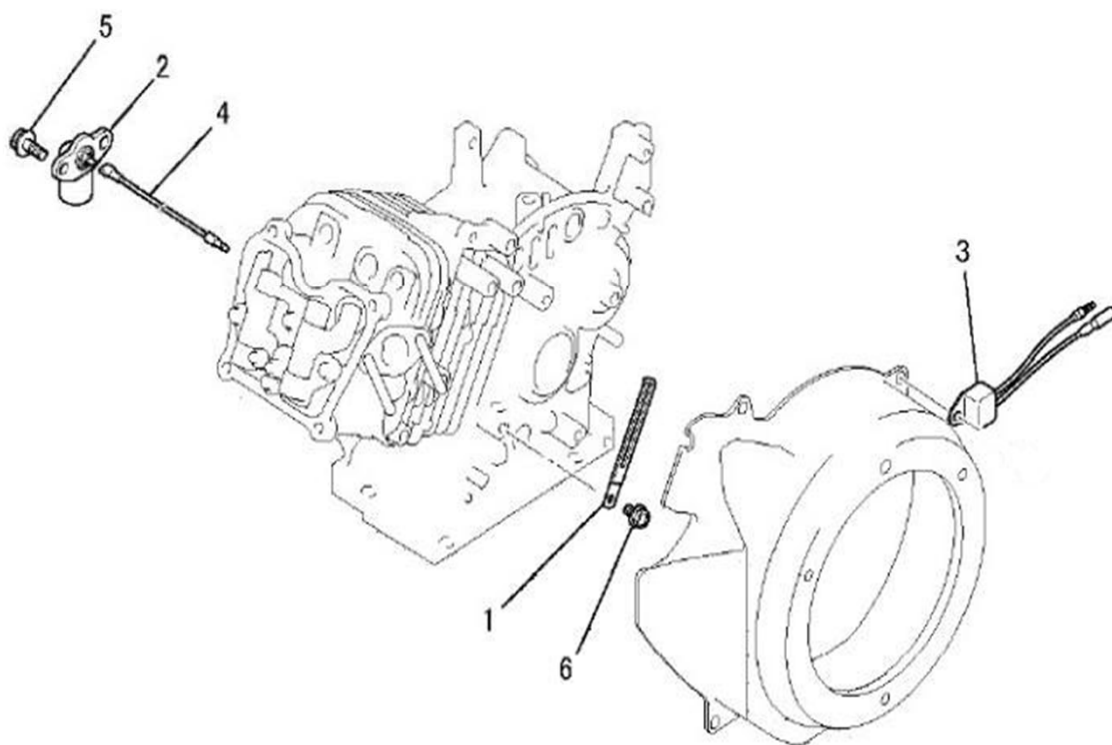
No.	Parts No.	Parts Name	No.Req'd	Inte Remarks	Assy No.	Price
1	KM02139AA	MUFFLER ASSY 消音器总成	1			
2	KM30022AA	PIPE,EXHAUST 排气管	1			
3	N801A06	NUT,FLANGE 法兰螺母	3			
4	ZZ70028C	NUT,CONICAL SPG 圆锥面螺母	2			
5	KM70040AA	GASKET,MUFFLER 消音器垫	1			
6	KM70041AA	GASKET,MUFFLER 排气管垫	1			

# (U) SWITCH GROUP



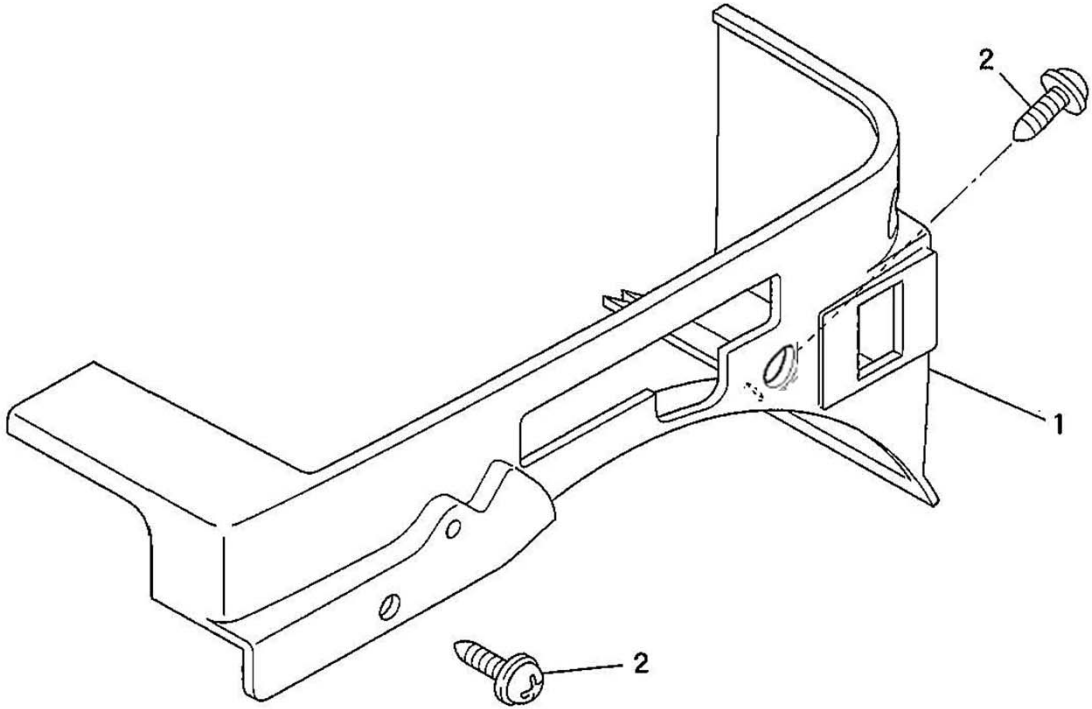
No.	Parts No.	Parts Name		No.Req'd	Inte Remarks	Assy No.	Price	
1	KE80033BA	SWITCH,STOP	停机开关	1				
2	KE90190AA	WIRE,LEAD	导线	1				
3	KE90191AA	WIRE,LEAD	导线	1				

# (W) OIL SENSOR GROUP



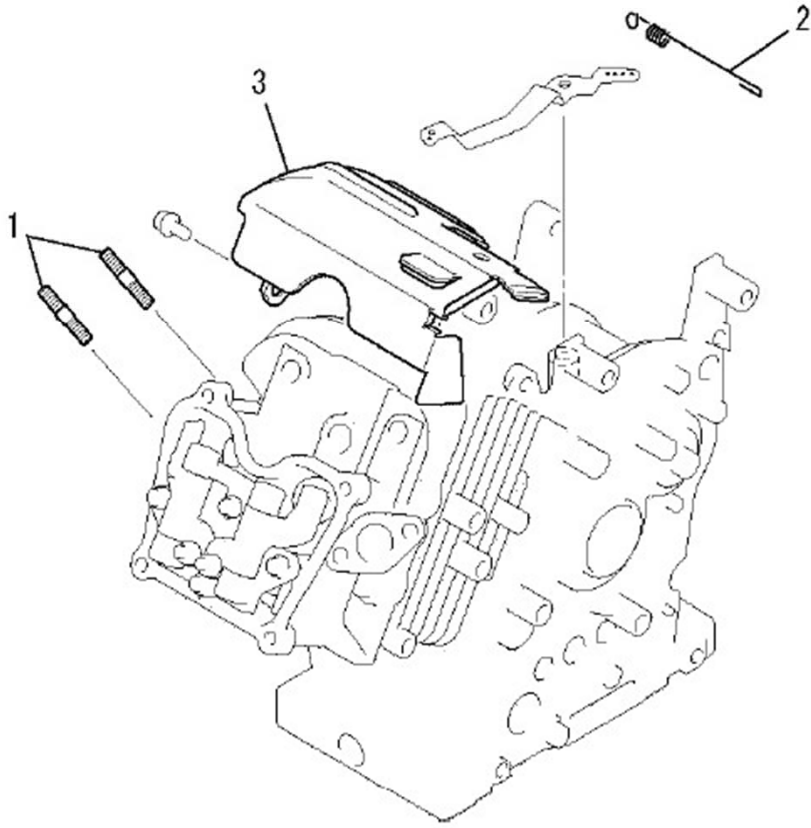
No.	Parts No.	Parts Name	No.Req'd	Inte Remarks	Assy No.	Price
1	FR64917	CLAMP 夹子	1			
2	KE09041AA	SENSOR,OIL 传感器	1			
3	KE34011AA	UNIT 报警器	1			
4	KE90013BA	WIRE,LEAD 导线	1			
5	B800A06X012	BOLT,FLANGE 法兰螺柱	2			
6	KU12051AA	BOLT,FLANGE 法兰螺柱	1			

# (X) COVER GROUP



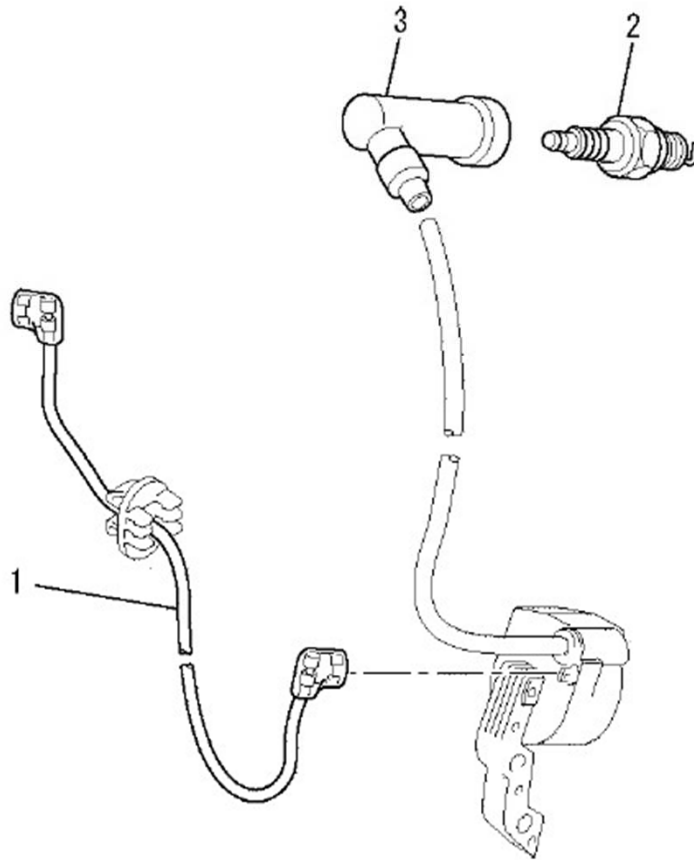
No.	Parts No.	Parts Name		No.Req'd	Inte Remarks	Assy No.	Price	
1	KR40030DA	COVER,FRONT	前罩	1				
2	KU12025AA	TAP-SCREW	自攻螺钉	2				

# 1. BOLT, SPRING, COVER



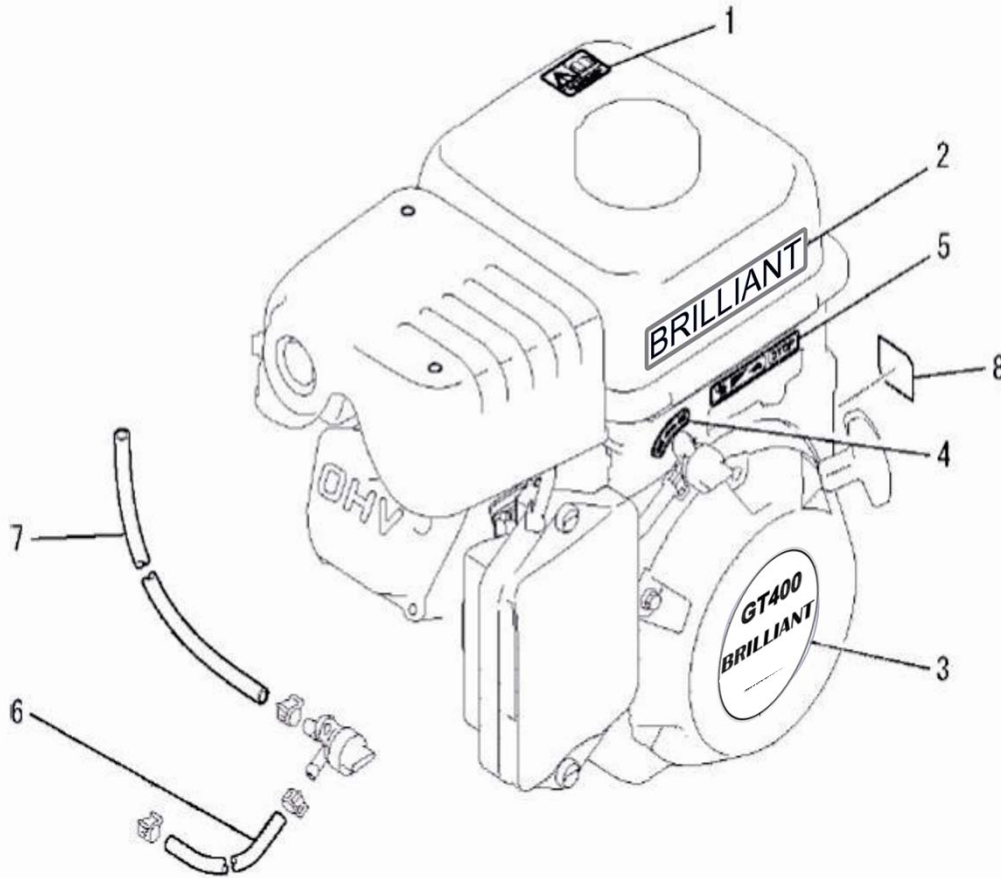
No.	Parts No.	Parts Name	No.Req'd	Inte Remarks	Assy No.	Price
1	B151B08X020	BOLT,STUD 双头螺柱	2			
2	KG34032BA	SPRING,GOV 调速器弹簧	1			
3	KH40057BA	COVER,TOP 顶罩	1			

## 2. LEAD WIRE, PLUG, CAP



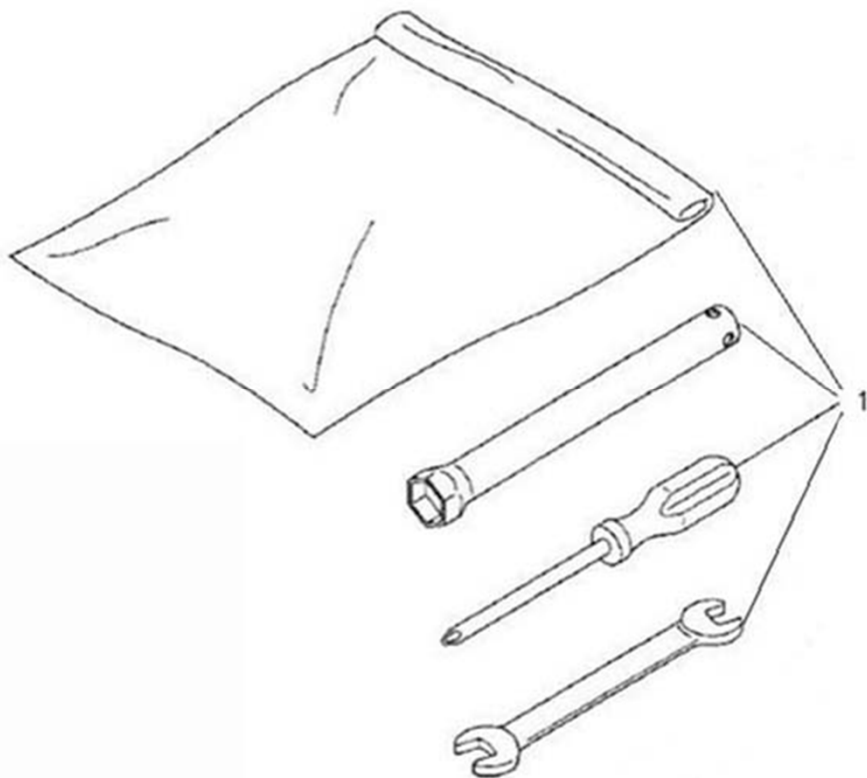
No.	Parts No.	Parts Name		No.Req'd	Inte Remarks	Assy No.	Price	
1	KE90069AA	WIRE,LEAD	导线	1				
2	KE41009AB	PLUG,SPARK	火花塞	1				
3	KE42030AA	CAP,PLUG	火花塞帽	1				

### 3. LABEL, FUEL HOSE



No.	Parts No.	Parts Name	No.Req'd	Inte Remarks	Assy No.	Price
1	KW55042AA	LABEL 警示标贴	1			
2	BW55112BA	LABEL 长标贴	1			
3	BW52373BA	LABEL,NAME 圆标贴	1			
4	KW56316AA	LABEL 燃油开关标贴	1			
5	KW56112AA	LABEL 龟兔标贴	1			
6	KF90139AA110	HOSE,FUEL 燃油管	1			
7	KF90140AA110	HOSE,FUEL 燃油管	1			
8	BW90020AA	SAEL 条形码标贴	1			

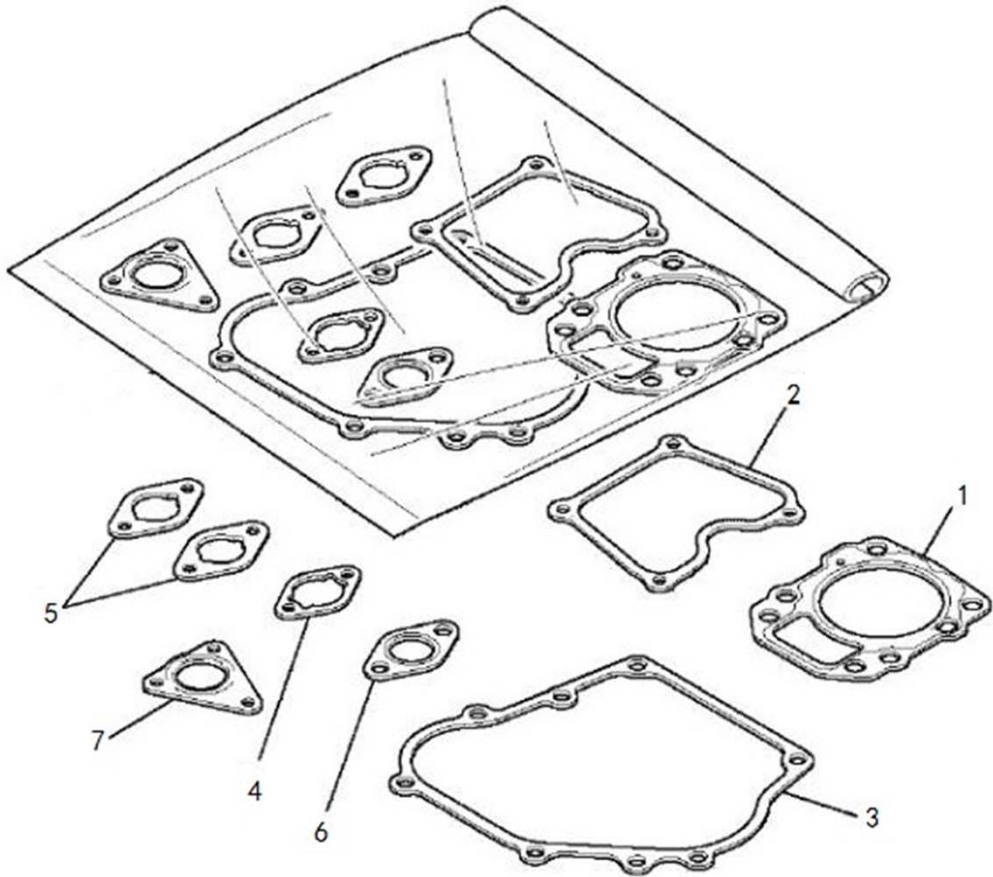
# 4. TOOL SET



No.	Parts No.	Parts Name	No.Req'd	Inte Remarks	Assy No.	Price
1	KN01018AA	TOOL.SET 工具组件	1			



# 5. GASKET SET



No.	Parts No.	Parts Name	No.Req'd	Inte Remarks	Assy No.	Price
1	KC66014AA	GASKET,HEAD 气缸盖垫	1			
2	KW33006AA	GASKET,HEAD COVER 气门室盖垫	1			
3	KW31014AA	GASKET,CRANKCASE 曲轴箱垫	1			
4	KW34054AA	GASKET,CARBURETOR 化油器垫	1			
5	KW34029AA	GASKET,CARBURETOR 化油器垫	2			
6	KM70040AA	GASKET,MUFFLER 消音器垫	1			
7	KM70041AA	GASKET,MUFFLER 排气管垫	1			