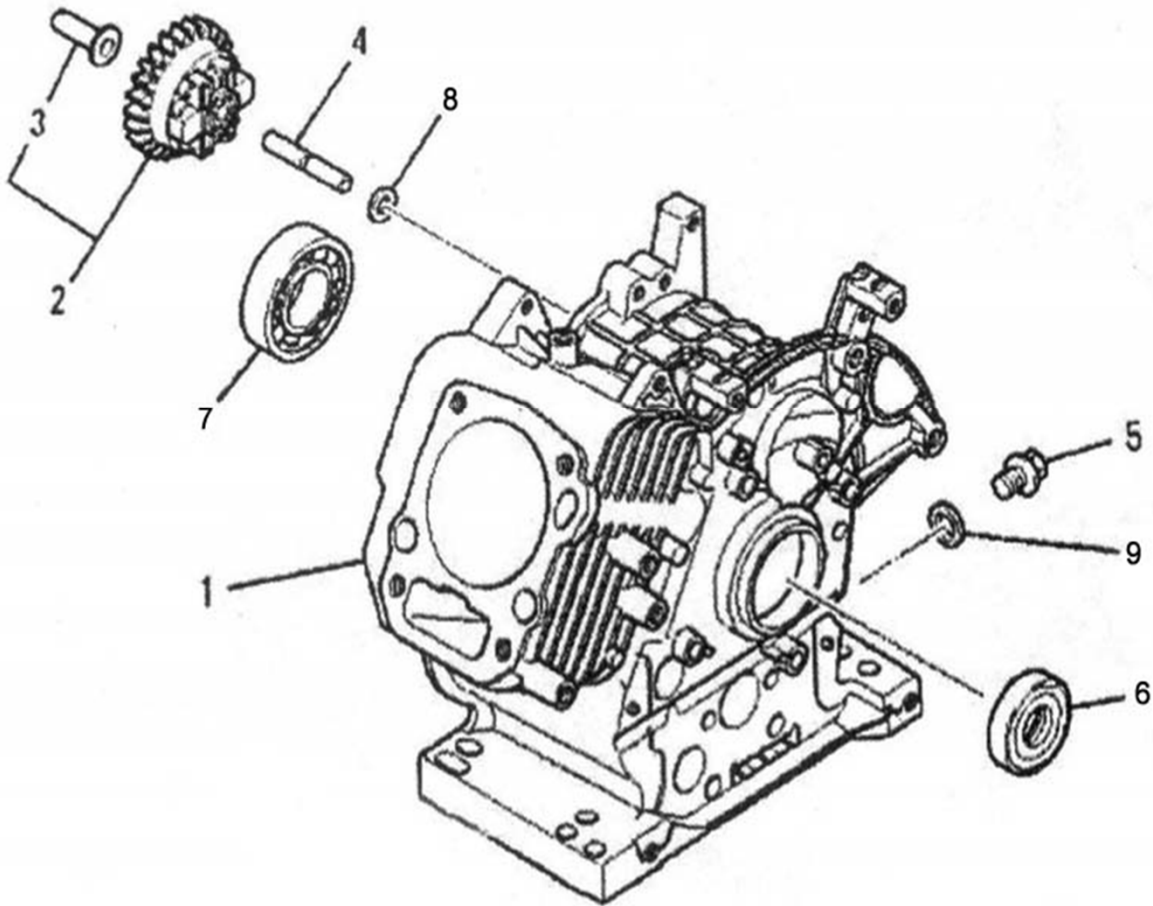


PARTS CATALOG 零件目录

**BRILLIANT AIR-COOLED  
GASLINE ENGINE  
博联风冷汽油发动机**

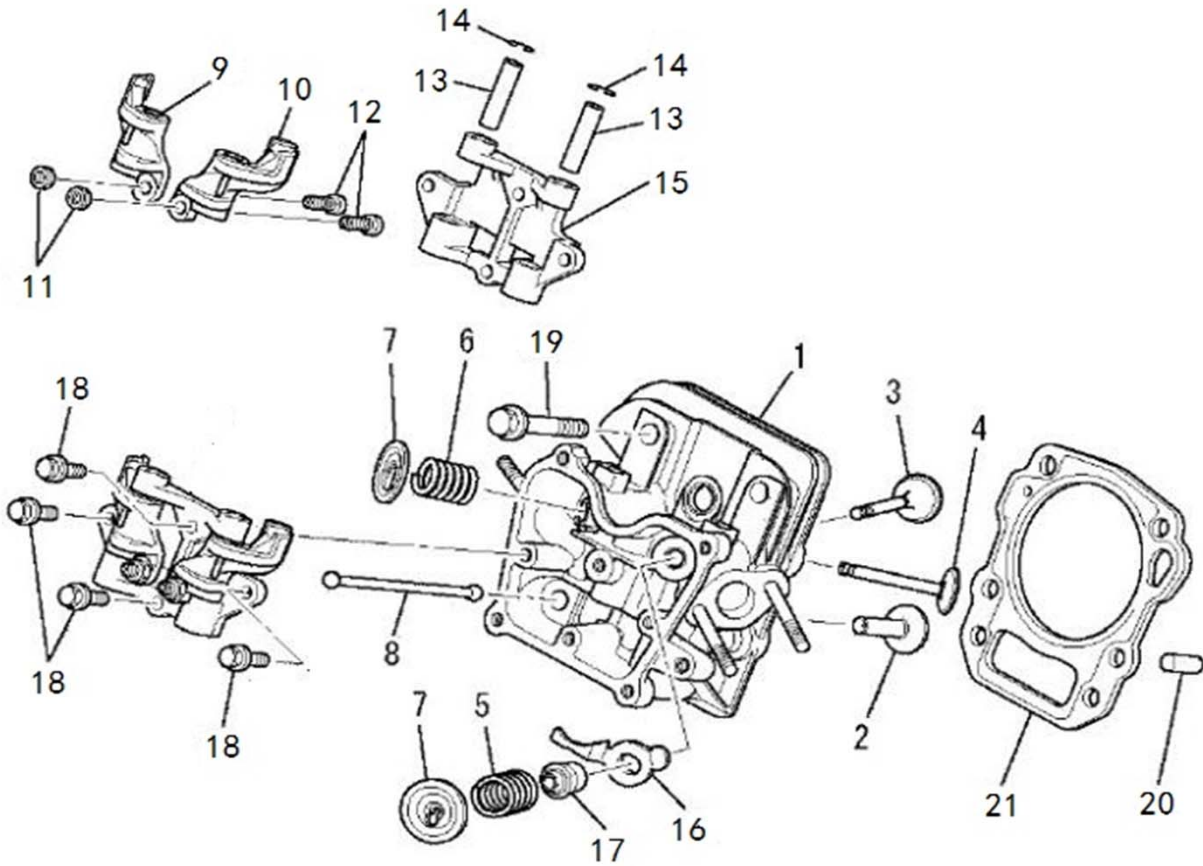
**MODEL 型号: GT600LC-NJT**

# (A) CYLINDER BLOCK GROUP



No.	Parts No.	Parts Name	No.Req'd	Inte Remarks	Assy No.	Price
1	KB44013EA	CYLINDER BLOCK 气缸箱体	1	WITH 2/3/4/5/6/7/8/9	LB44013EA	
2	BG01003BA	GOVERNOR GEAR ASSY 调速齿轮总成	1			
3	BG14005AA	SLIDER,GOV 滑套	1			
4	KG22022AA	SHAFT,GOV 调速轴	1			
5	KL22003AA	PLUG,DRAIN 放油螺塞	1			
6	KW25011AA	OIL SEAL 油封	1			
7	KW11024AA	BEARING,BALL 轴承	1	#6205		
8	W200H06	WASHER 垫圈	1			
9	KW39070AA	GASKET 垫片	1			

# (B) CYLINDER HEAD GROUP



No.	Parts No.	Parts Name	No.Req'd	Inte Remarks	Assy No.	Price
1	KC02051AA	CYLINDER HEAD ASSY 气缸盖总成	1	MARK1	LC02051AA	
2	KV24011AA	TAPPET 挺柱	2			
3	KV34007AA	VALVE,INTAKE 进气门	1			
4	KV43007AA	VALVE,EXHAUST 排气门	1			
5	KV55009AA	SPRING,VALVE 气门弹簧	1			
6	KV55008AA	SPRING,VALVE 气门弹簧	1			
7	KV64004AA	RETAINER,VALVE SPG 气门弹簧座	2			
8	KV71010AA	ROD,PUSH 推杆	2			
9	KV72016AA	ARM,ROCKER 摇臂	1			
10	KV72017AA	ARM,ROCKER 摇臂	1			
11	KU23013AA	NUT 螺母	2			
12	KV73005AA	SCREW,ADJUST 调整螺钉	2			

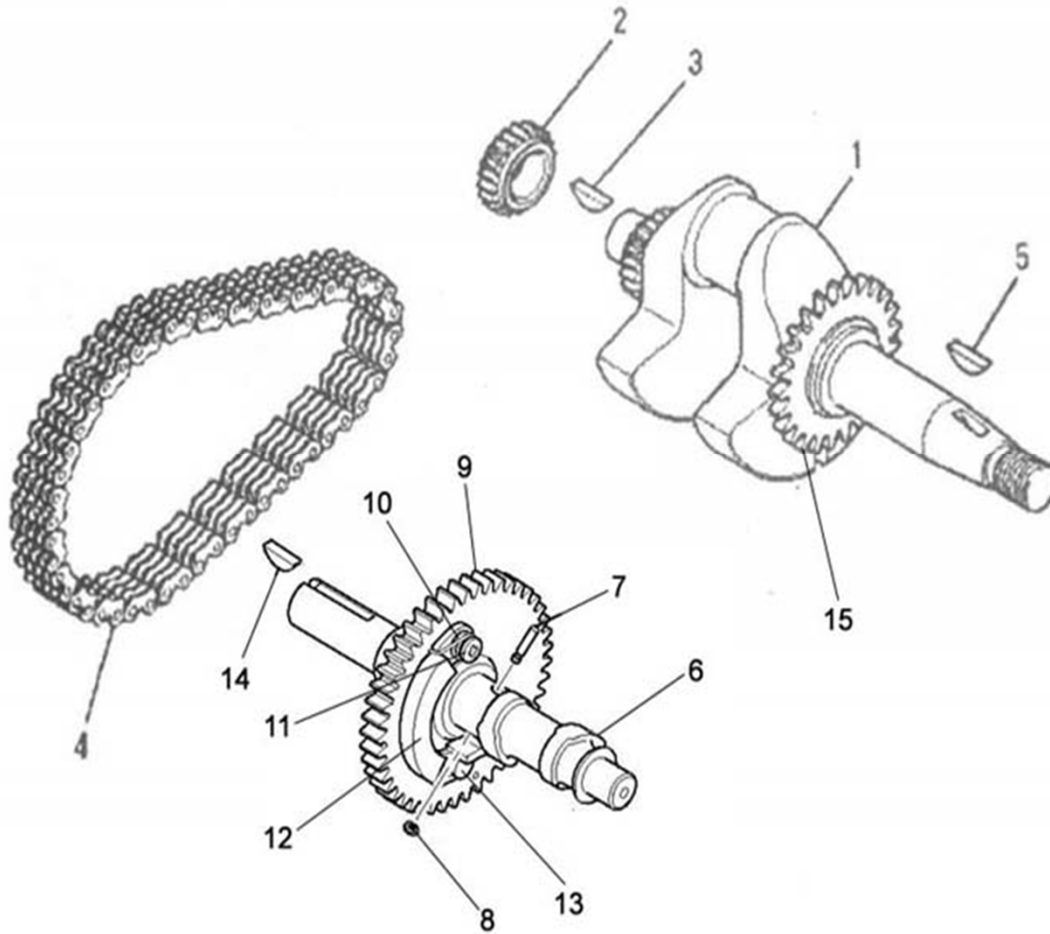
MARK1: WITH B151B06X075/B151B08X020/3/4/5/6/7/16/17







# (E) CRANKSHAFT GROUP



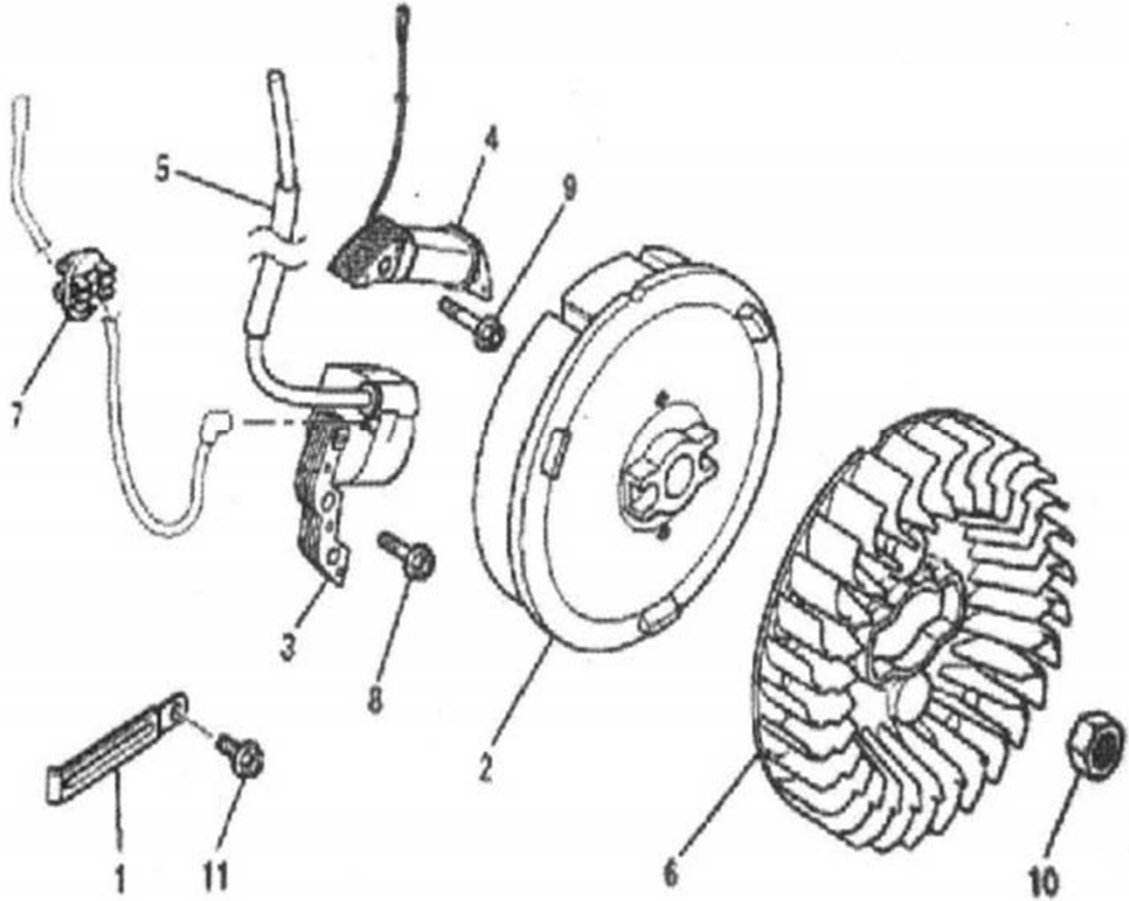
No.	Parts No.	Parts Name	No.Req'd	Inte Remarks	Assy No.	Price
1	KD26020AA	CRANKHAFT 曲轴	1	WITH 2/3/15	LD26020AA	
2	KD62017AA	SPROKET,CRANK 曲轴链齿轮	1			
3	W430B05X016	KEY,WOODRUFF 半圆键	1			
4	KD90015AA	CHAIN 链条	1			
5	W430B05X016	KEY,WOODRUFF 半圆键	1			
6	KV14017AB	CAMSHAFT 凸轮轴	1	MARK1	LV14017AB	
7	KV83010BG	PIN 销	1			
8	S500P03	SNAP RING E型挡圈	1			
9	KV93033AA	SPROKET,CAMSHAFT 凸轮轴链轮	1			
10	KV81005BA	SPRING 回位弹簧	1			
11	KV84008BA	RIVET 铆钉	1			
12	KV82007AA	FLYWEIGHT 减压飞块	1			
13	KV84010BA	RIVET 铆钉	1			
14	W430B05X016	KEY,WOODRUFF 半圆键	1			
15	KD63049AA	GEAR 齿轮	1			

MARK1: WITH 7/8/9/10/11/12/13/14



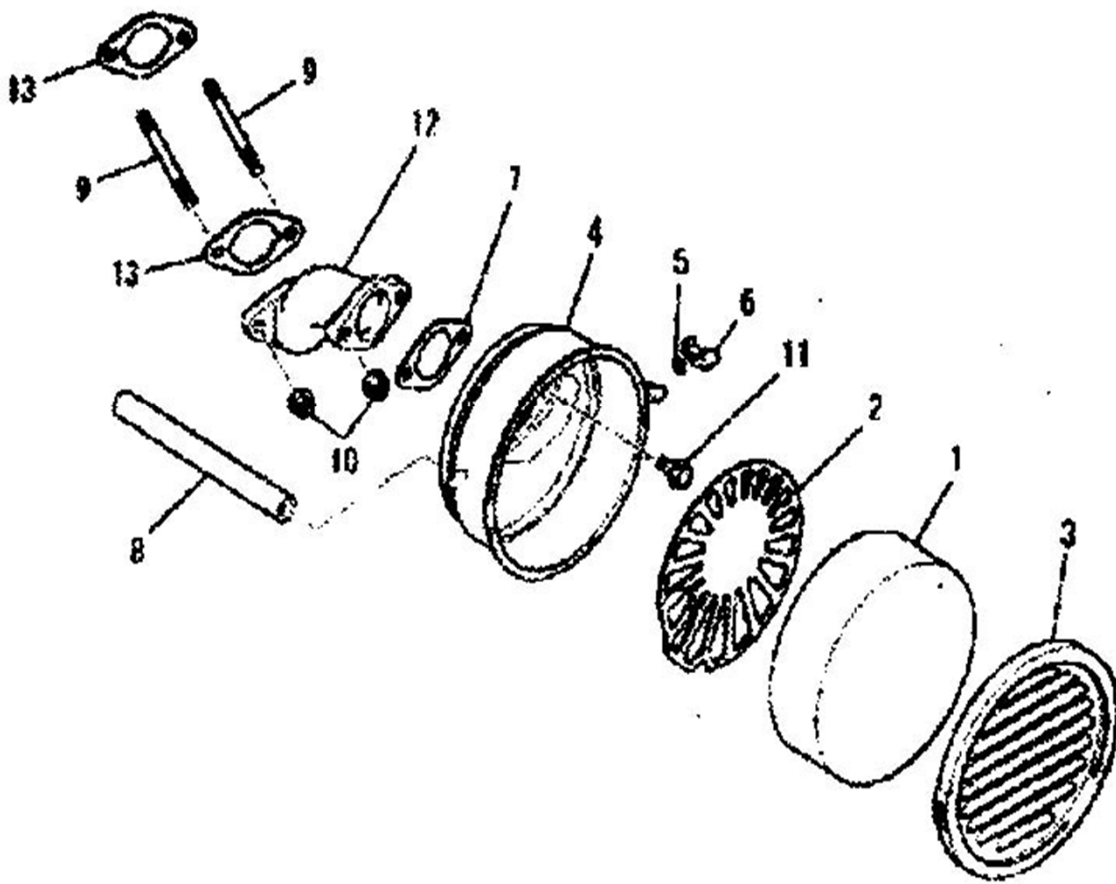


# (G) MAGNETO GROUP



No.	Parts No.	Parts Name	No.Req'd	Inte Remarks	Assy No.	Price
1	FR64917	CLAMP 夹子	1			
2	KE12038BA	FLYWHEEL 飞轮	1			
3	KE24020AA	COIL,IGNITION 点火线圈	1			
4	KE25018BA	COIL,LIGHTING 点灯线圈	1			
5	KE90073BA	TUBE 高压线护管	1			
6	KE90202AA	FAN 风扇	1			
7	KU7007AA	CLIP 夹子	1			
8	B800A06X020	BOLT,FLANGE 法兰螺柱	2			
9	B800A06X030	BOLT,FLANGE 法兰螺柱	2			
10	FR41231	NUT 螺母	1			
11	KU12051AA	BOLT,FLANGE 法兰螺柱	1			

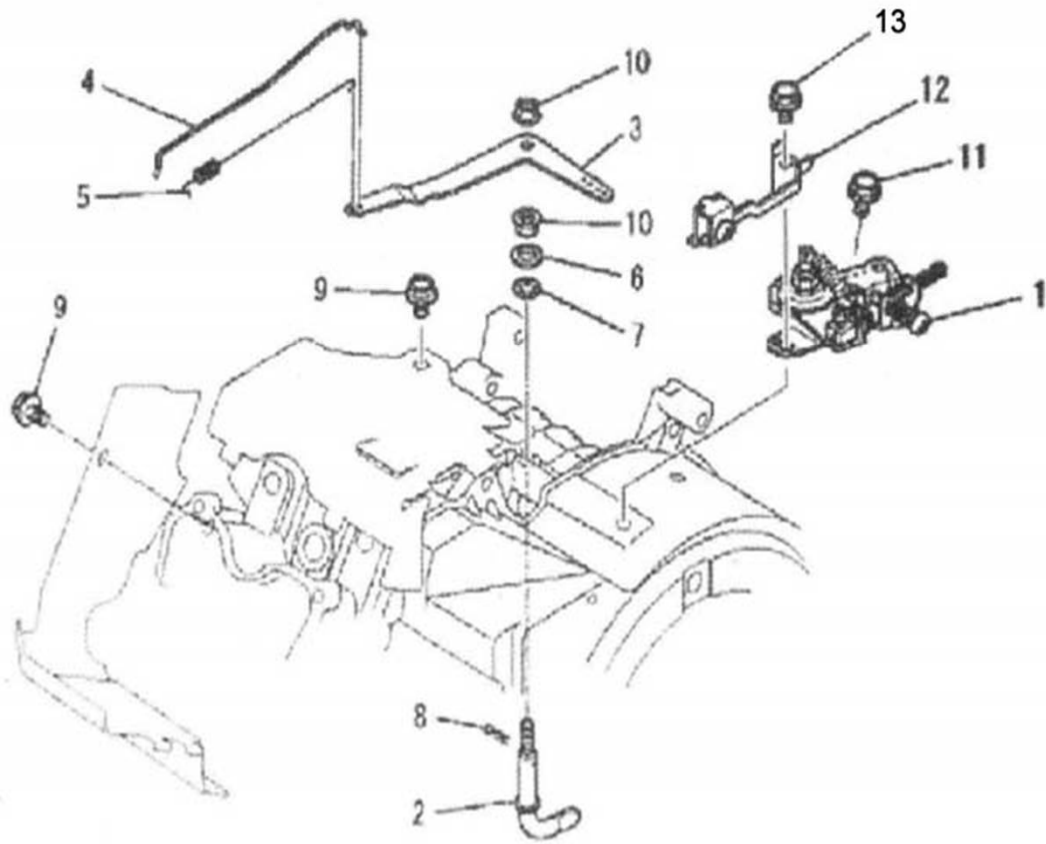
# (H) AIR CLEANER GROUP



No.	Parts No.	Parts Name	No.Req'd	Inte Remarks	Assy No.	Price
1	BG01668	ELEMENT,CLEANER 空滤器芯	1			
2	BG01669	GRID 滤芯挡板	1			
3	FA21542A	COVER,CLEANER 空滤器罩	1			
4	KA11035BA	AIR CLEANER ASSY 空滤器总成	1			
5	KA01107AA003	PLATE 滤芯支架	1			
6	KA01107AA001	MAIN BODY 空滤主体	1			
7	KW34029AA	GASKET,CARBURETO 化油器垫	1			
8	KL41005GA	TUBE,BREATHER 通气管	1			
9	B151B06X080	BOLT,STUD 双头螺柱	2			
10	N801A06	NUT,FLANGE 法兰螺母	2			
11	B800A06X012	OLT,FLANGE 法兰螺柱	2			
12	KA90169AA	JOINT 连接管	1			
13	KW34029AA	GASKET,CARBURETO 化油器垫	2			



# (J) CONTROL PANEL GROUP



No.	Parts No.	Parts Name	No.Req'd	Inte Remarks	Assy No.	Price
1	KG03048CA	CONTROL PANEL ASSY 控制板总成	1			
2	KG22018AA	SHAFT,GOV 调速摇臂轴	1			
3	KG31030AA	LEVER,GOV 调节杆	1			
4	KG41023AA	ROD,GOV 调速器拉杆	1			
5	KG42024AA	SPRING,ROD 调速拉杆弹簧	1			
6	KG90015AA	WASHER 垫圈	1			
7	KG90016AA	SEAL,DUST 防尘密封垫	1			
8	KU70006AA	CLIP 夹子	1			
9	B800A06X012	BOLT,FLANGE 法兰螺柱	2			
10	FR42734	NUT,FLANGE 法兰螺母	2			
11	B800A06X008K	BOLT,FLANGE 法兰螺柱	1			
12	KG09005AA	PANEL,REMOTE 控制杆部件	1			
13	B800A06X010K	BOLT,FLANGE 法兰螺柱	1			

















