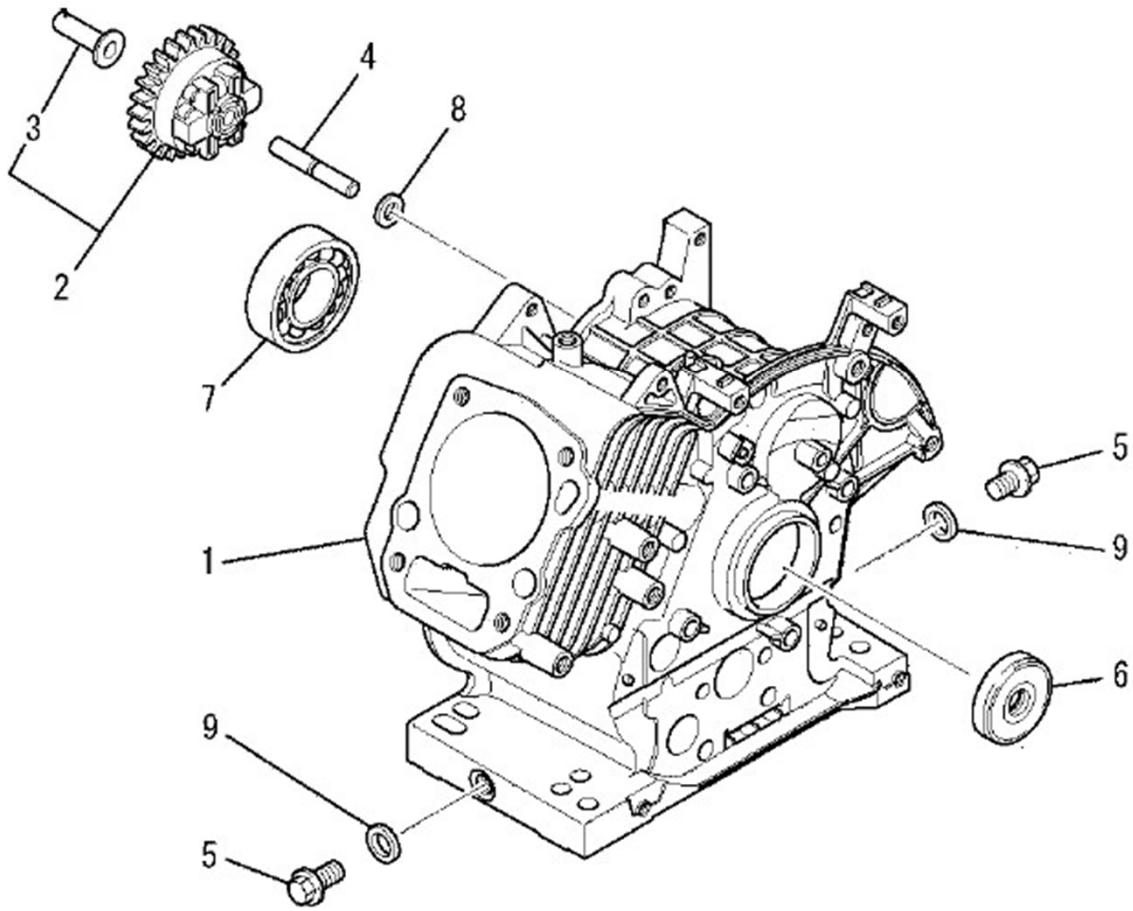


PARTS CATALOG 零件目录

**BRILLIANT AIR-COOLED
GASLINE ENGINE
博联风冷汽油发动机**

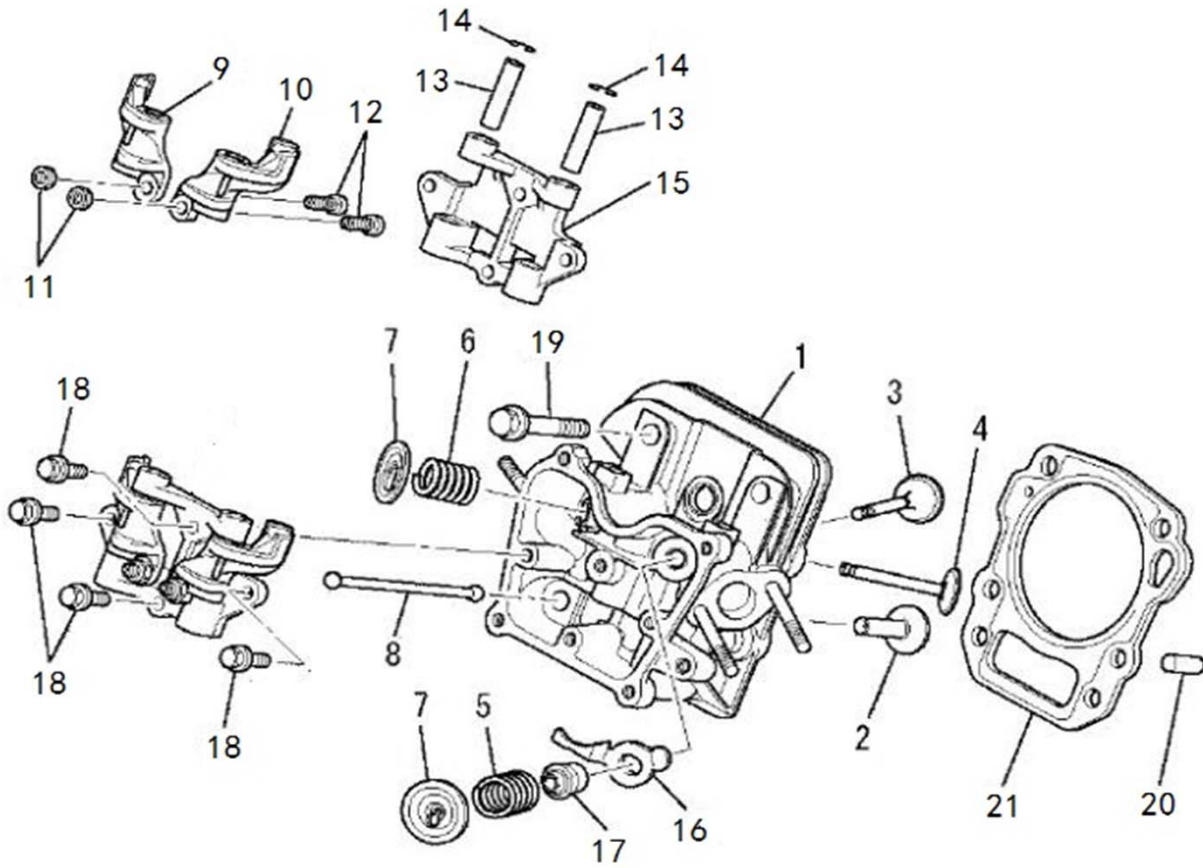
MODEL 型号: GT600PN-PST

(A) CYLINDER BLOCK GROUP



No.	Parts No.	Parts Name	No.Req'd	Inte Remarks	Assy No.	Price
1	KB44013CA	CYLINDER BLOCK 气缸箱体	1	WITH 2/3/4/5/6/7/8/9	LB44013CA	
2	BG01003BA	GOVERNOR GEAR ASSY 调速齿轮总成	1			
3	BG14005AA	SLIDER,GOV 滑套	1			
4	KG22022AA	SHAFT,GOV 调速轴	1			
5	KL22003AA	PLUG,DRAIN 放油螺塞	2			
6	KW25011AA	OIL SEAL 油封	1			
7	KW11024AA	BEARING,BALL 轴承	1	#6205		
8	W200H06	WASHER 垫圈	1			
9	KW39070AA	GASKET 垫片	2			

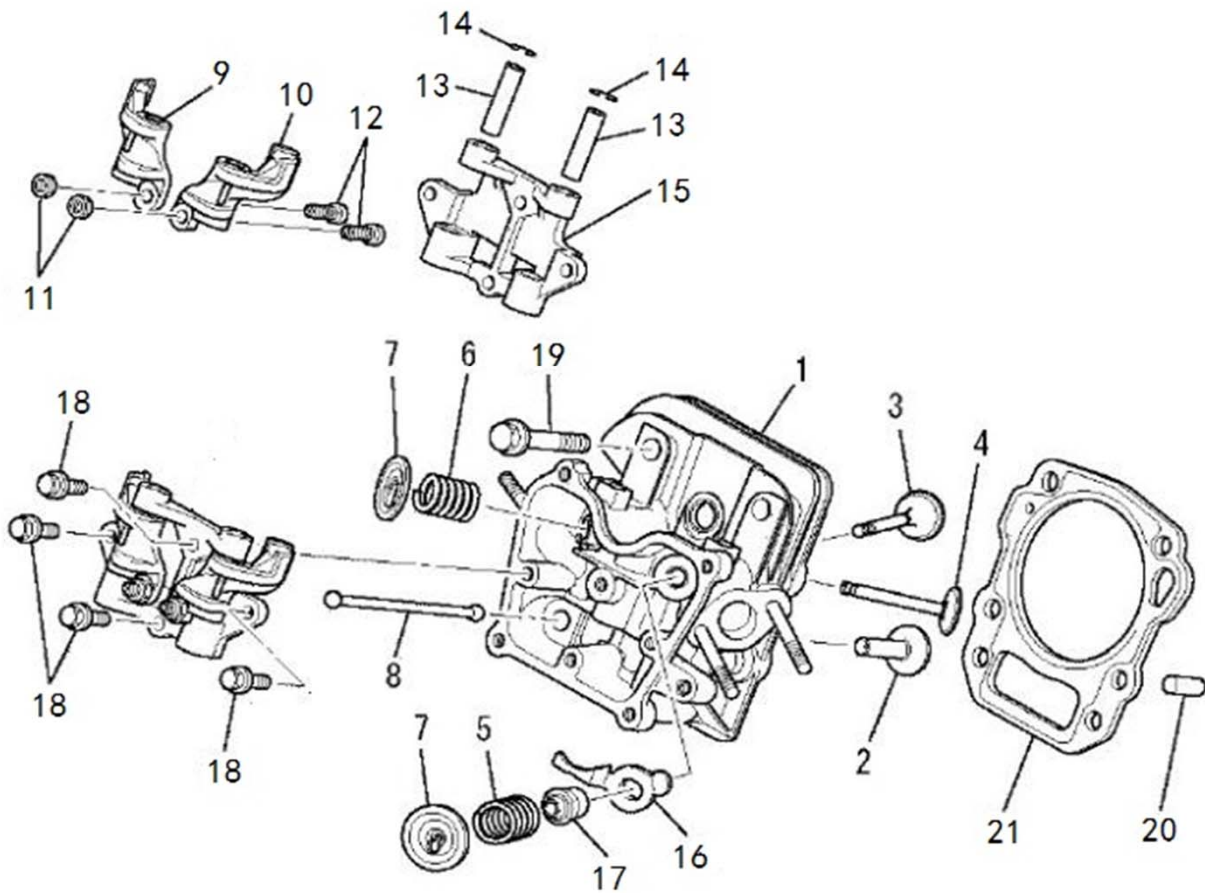
(B) CYLINDER HEAD GROUP



No.	Parts No.	Parts Name	No.Req'd	Inte Remarks	Assy No.	Price
1	KC02051AA	CYLINDER HEAD ASSY 气缸盖总成	1	MARK1	LC02051AA	
2	KV24011AA	TAPPET 挺柱	2			
3	KV34005AA	VALVE,INTAKE 进气门	1			
4	KV43007AA	VALVE,EXHAUST 排气门	1			
5	KV55009AA	SPRING,VALVE 气门弹簧	1			
6	KV55008AA	SPRING,VALVE 气门弹簧	1			
7	KV64004AA	RETAINER,VALVE SPG 气门弹簧座	2			
8	KV71010AA	ROD,PUSH 推杆	2			
9	KV72016AA	ARM,ROCKER 摇臂	1			
10	KV72017AA	ARM,ROCKER 摇臂	1			
11	KU23013AA	NUT 螺母	2			
12	KV73005AA	SCREW,ADJUST 调整螺钉	2			

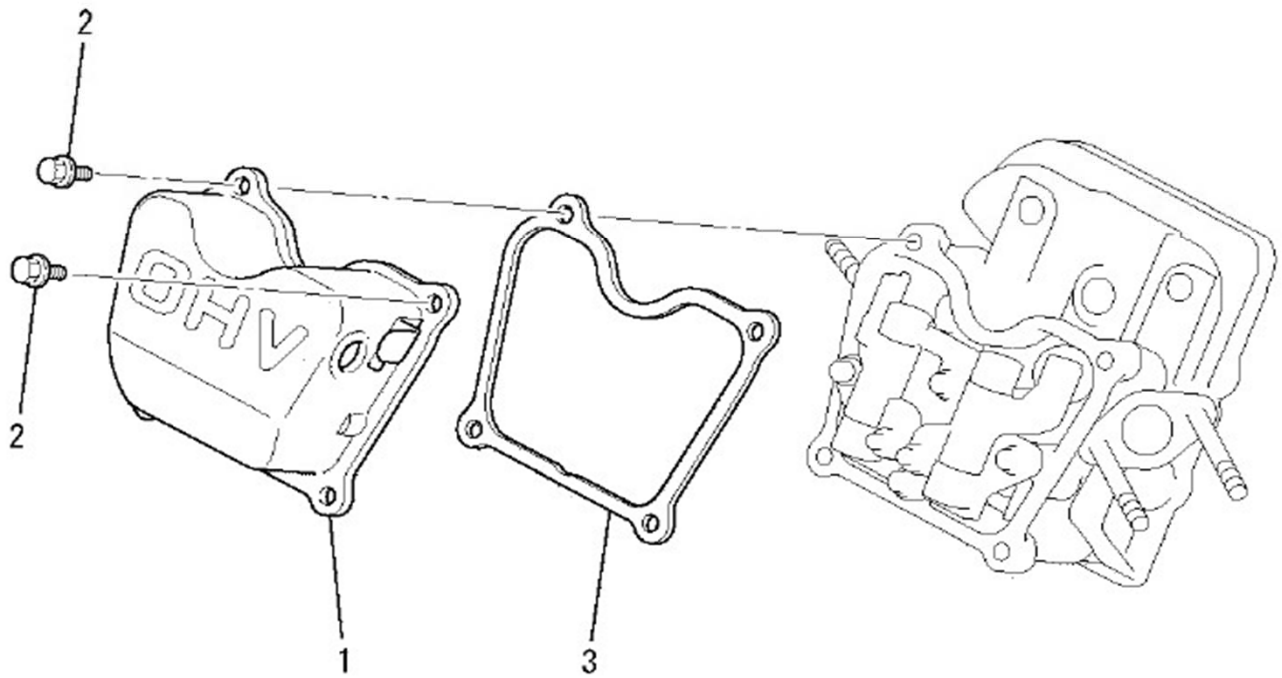
MARK1: WITH B151B06X075/B151B08X020/3/4/5/6/7/16/17

(B) CYLINDER HEAD GROUP



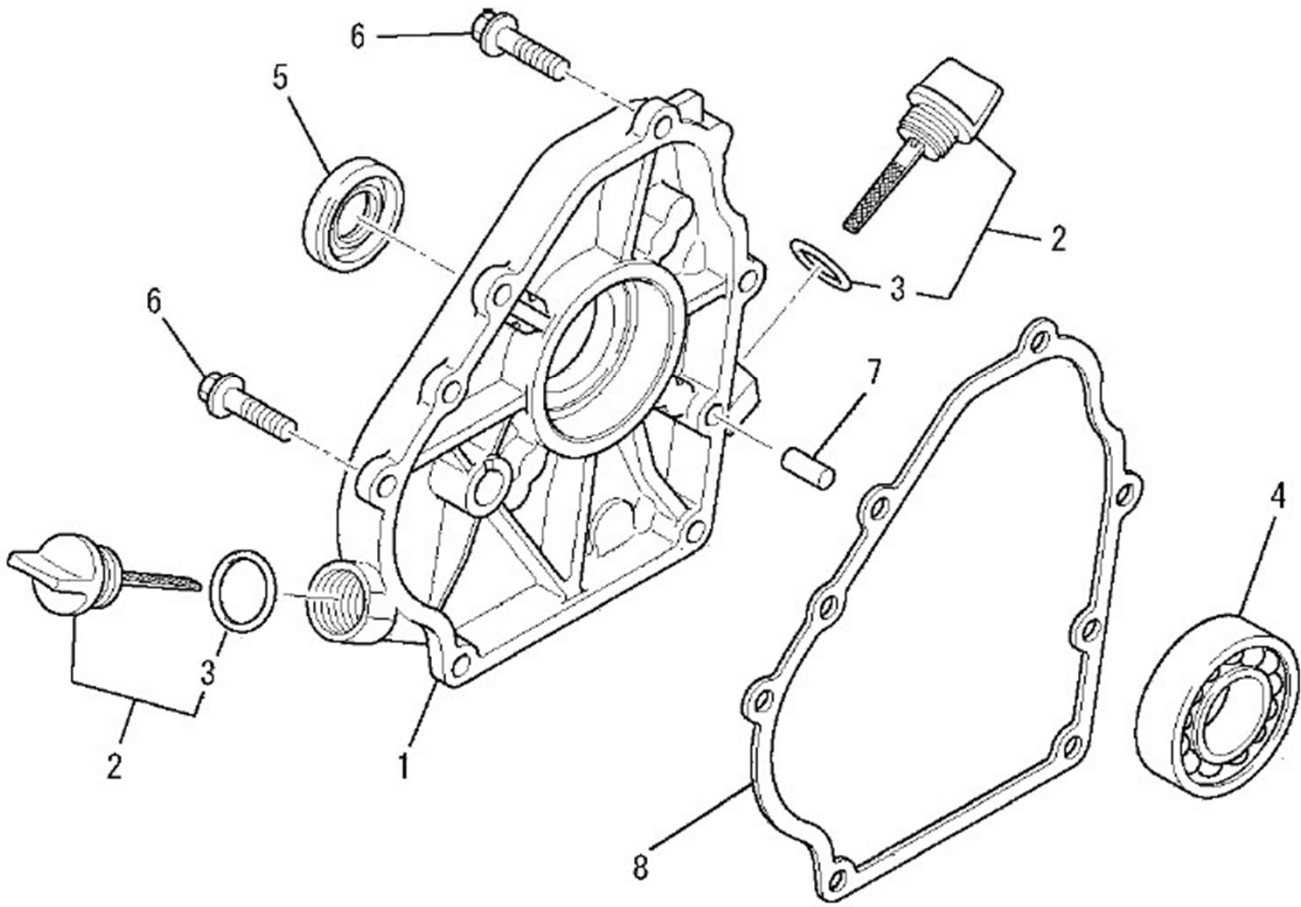
No.	Parts No.	Parts Name	No.Req'd	Inte Remarks	Assy No.	Price
13	KV75009BA	SHAFT,ROCKER ARM 摇臂轴	2			
14	FR34111	CLIP,PISTON PIN 摇臂轴挡圈	2			
15	KV74005AA	PLATE 气门摇臂座	1	WITH 9/10/11/12/13/14	LV74005AA	
16	KV90016AA	PLATE 板	1			
17	KW21023AA	SEAL,VALVE STEM 气门杆油封	1			
18	B800A06X016	BOLT,FLANGE 法兰螺柱	4			
19	B800B08X055	BOLT,FLANGE 法兰螺柱	4			
20	KU44001AA	PIN,DOWEL 定位销	2			
21	KC66015AA	GASKET,HEAD 气缸盖垫	1			

(C) HEAD COVER GROUP



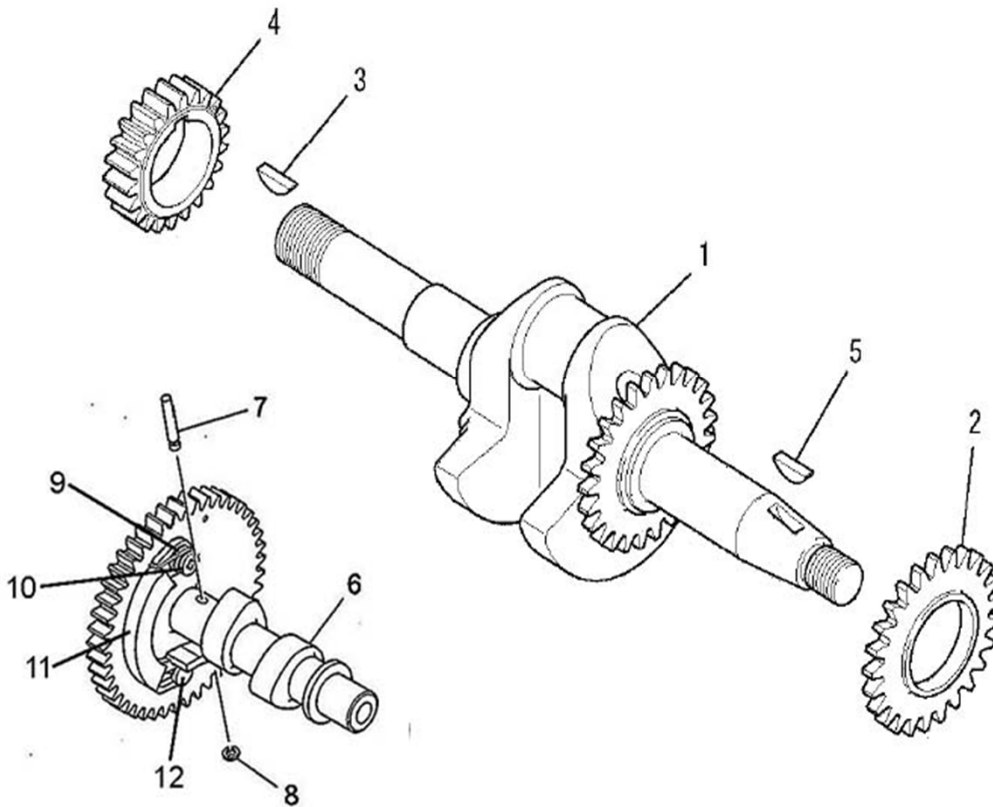
No.	Parts No.	Parts Name	No.Req'd	Inte Remarks	Assy No.	Price
1	KC09014AA	COVER,HEAD 气缸盖罩	1			
2	B800A06X012	BOLT,FLANGE 法兰螺柱	4			
3	KW33007AA	GASKET,HEAD COVER 气门室盖垫	1			

(D) CASE COVER GROUP



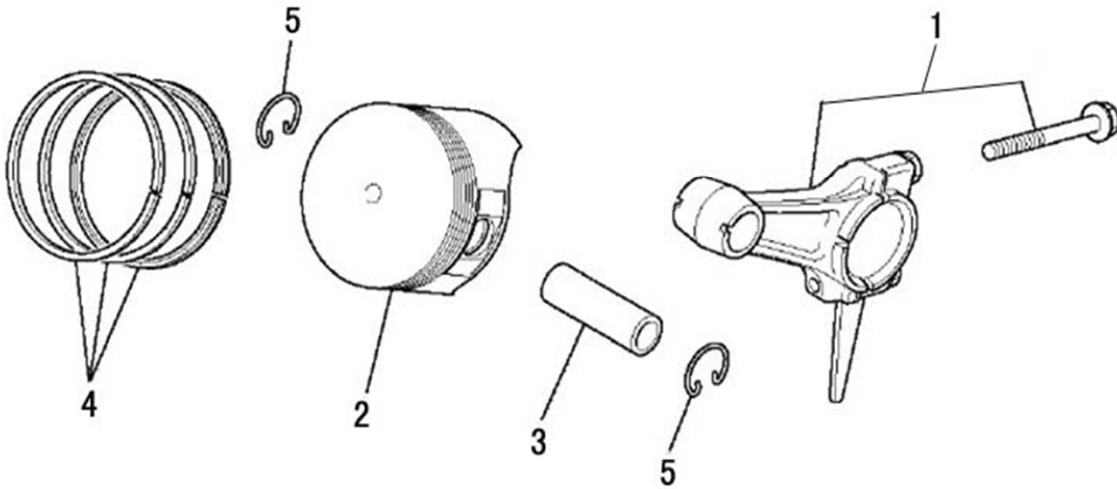
No.	Parts No.	Parts Name	No.Req'd	Inte Remarks	Assy No.	Price
1	KB64013AA	COVER,CRANKCASE 箱体侧盖	1	WITH 2/3/4/5	LB64013AA	
2	KL21016BA002	GAUGE,OIL 机油标尺	2	WITH 3	LL21016BA002	
3	KW23003AA	O-RING O型圈	2			
4	KW11019AA	BEARING,BALL 轴承	1	#6305		
5	KW25010AA	OIL SEAL 油封	1			
6	B800B08X030	BOLT,FLANGE 法兰螺柱	6			
7	KU44001AA	PIN,DOWEL 定位销	2			
8	KW31015AA	GASKET,CRANKCASE 曲轴箱垫	1			

(E) CRANKSHAFT GROUP



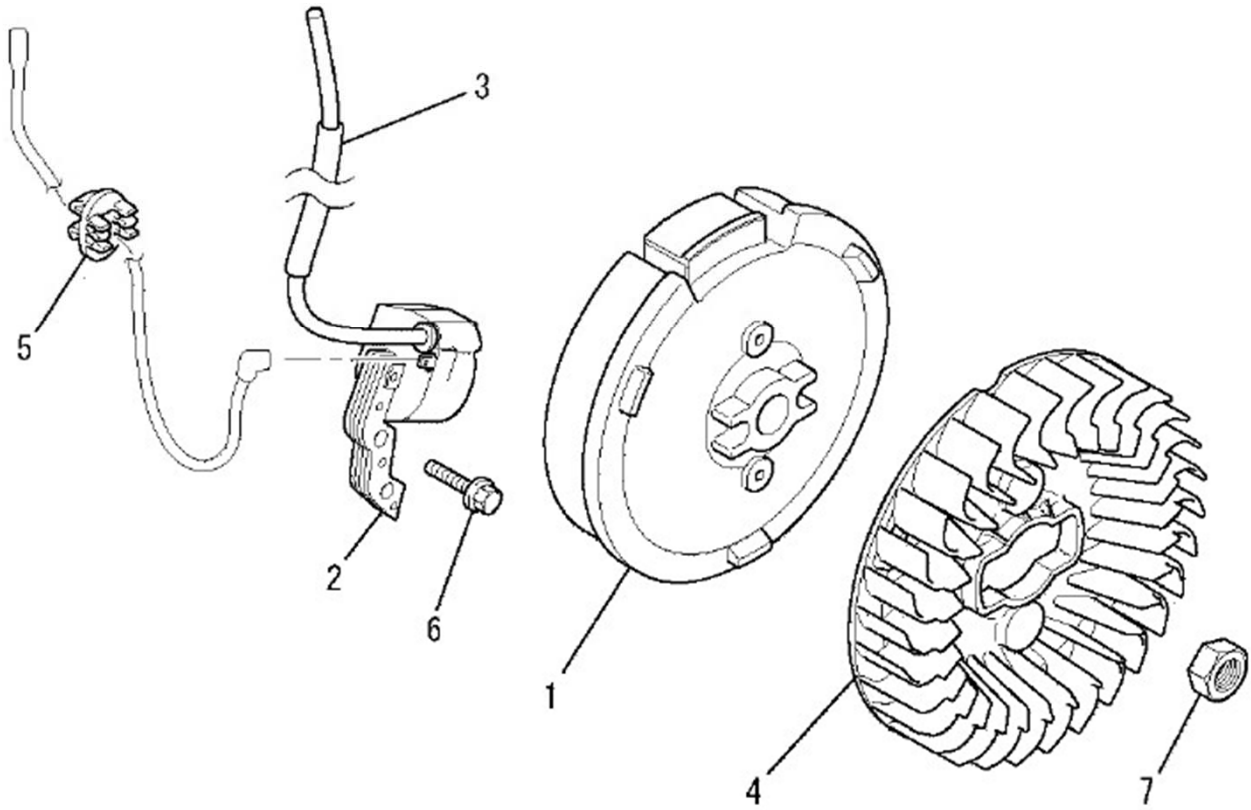
No.	Parts No.	Parts Name	No.Req'd	Inte Remarks	Assy No.	Price
1	KD26015JA	CRANKSHAFT 曲轴	1	WITH 2	LD26015JA	
2	KD63049AA	GEAR 齿轮	1			
3	W430B05X016	KEY,WOODRUFF 半圆键	1			
4	KD63046AA	GEAR,CRANKSHAFT 曲轴正时齿轮	1			
5	W430B05X016	KEY,WOODRUFF 半圆键	1			
6	KV13018AA	CAMSHAFT 凸轮轴	1	WITH 7/8/9/10/11/12	LV13018AA	
7	KV83010AC	PIN 销	1			
8	S500P03	SNAP RING E型挡圈	1			
9	KV81005BA	SPRING 回位弹簧	1			
10	KV84008BA	RIVET 铆钉	1			
11	KV82011AA	FLYWEIGHT 减压飞块	1			
12	KV84010BA	RIVET 铆钉	1			

(F) PISTON & ROD GROUP



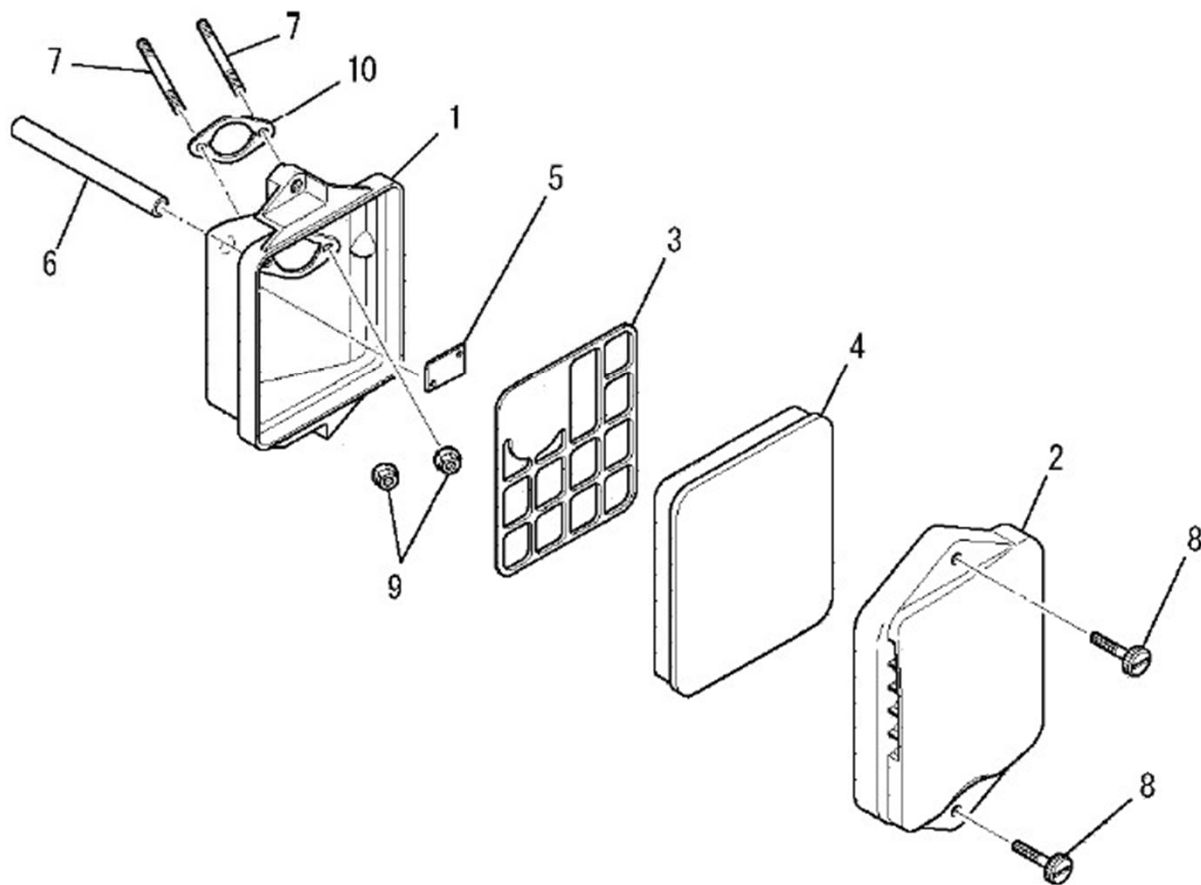
No.	Parts No.	Parts Name	No.Req'd	Inte Remarks	Assy No.	Price
1	KD03031AA	CONNECTING ROD ASSY 连杆总成	1			
2	KP16007AA	PISTON 活塞	1			
3	KP55001BA	PIN,PISTON 活塞销	1			
4	KP26011AA	RING, TOP 顶环	1		LP26011AA	
	KP36010AA	RING, 2ND 二环	1			
	KP46008AA	RING, OIL 油环	1			
5	KP90003AA	CLIP, PISTON PIN 活塞销卡环	2			

(G) MAGNETO GROUP



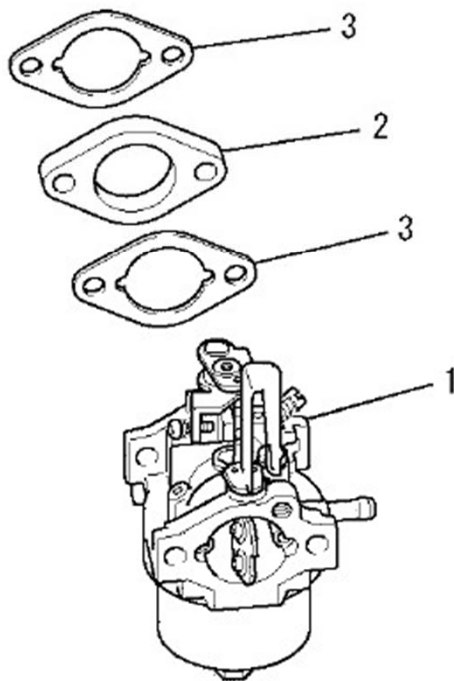
No.	Parts No.	Parts Name	No.Req'd	Inte Remarks	Assy No.	Price
1	KE12038AA	FLYWHEEL 飞轮	1			
2	KE24020AA	COIL,IGNITION 点火线圈	1			
3	KE90073BA	TUBE 高压线护管	1			
4	KE90202AA	FAN 风扇	1			
5	KU70007AA	CLIP 夹子	1			
6	B800A06X020	BOLT,FLANGE 法兰螺柱	2			
7	FR41231	NUT 螺母	1			

(H) AIR CLEANER GROUP



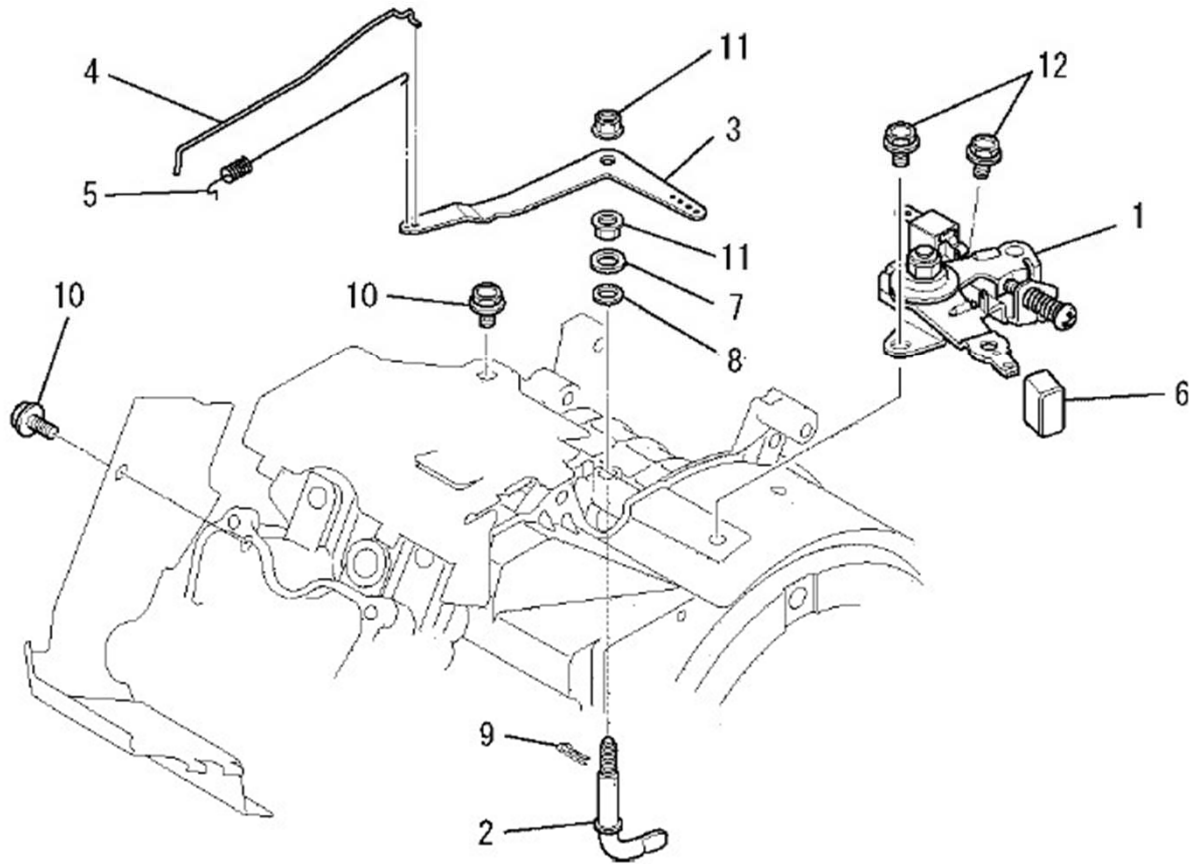
No.	Parts No.	Parts Name	No.Req'd	Inte Remarks	Assy No.	Price
1	BA11022AA	CASE,CLEANER 空滤器体	1			
2	BA20070AA	COVER,CLEANER 空滤器罩	1			
3	KA30024BA	GRID 滤芯挡板	1			
4	KA40074AA	ELEMENT,CLEANER 空滤器芯	1			
5	KA90122AA	PLATE 板	1			
6	KL41005BA	TUBE,BREATHER 通气管	1			
7	B151B06X075	BOLT,STUD 双头螺柱	2			
8	KA90124AA	BOLT 螺栓	2			
9	N801A06	NUT,FLANGE 法兰螺母	2			
10	KW34029AA	GASKET,CARBURETOR 化油器垫	1			

(I) CARBURETOR GROUP



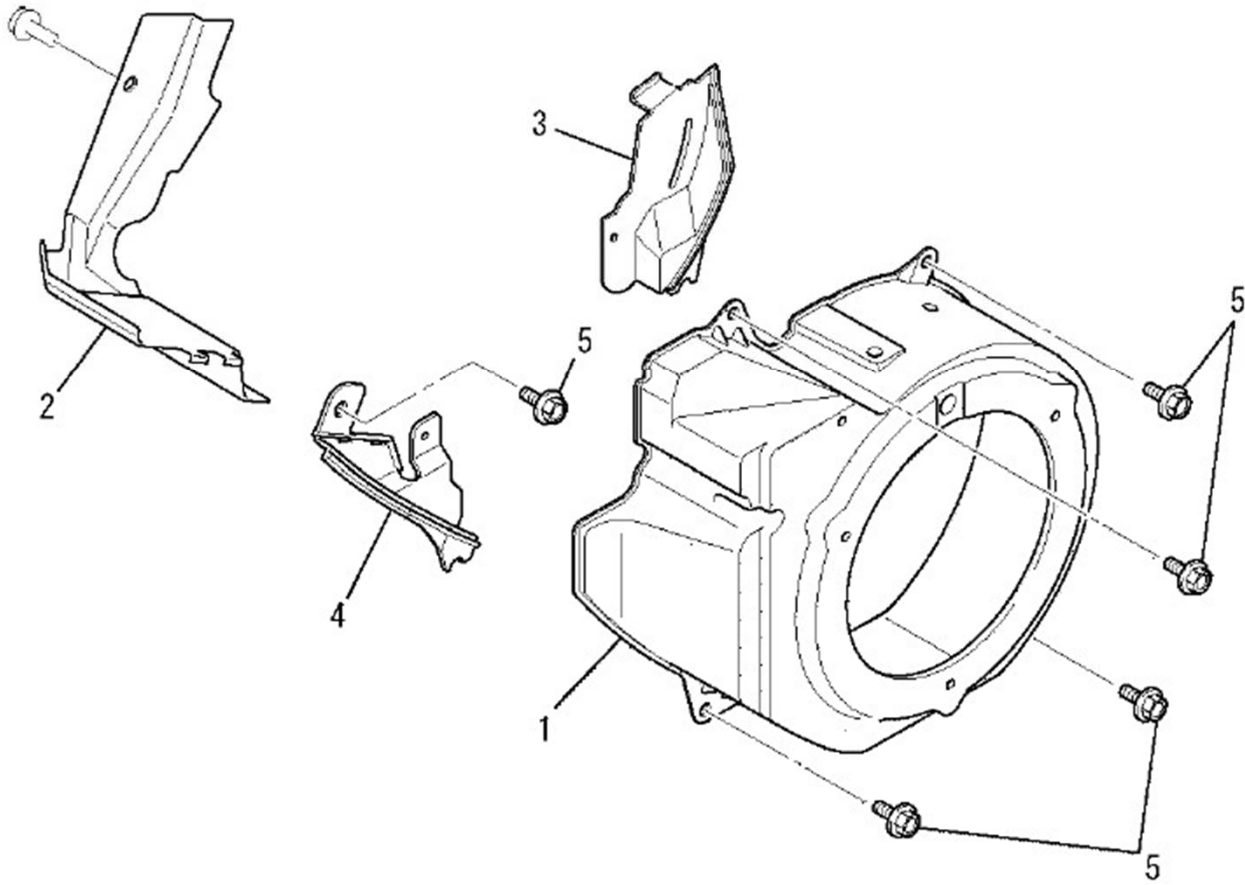
No.	Parts No.	Parts Name		No.Req'd	Inte Remarks	Assy No.	Price	
1	KK13039EB	CARBURETOR(F)	化油器	1				
2	KK33005AA	INSULATOR	化油器绝热垫	1				
3	KW34029AA	GASKET,CARBURETOR	化油器垫	2				

(J) CONTROL PANEL GROUP



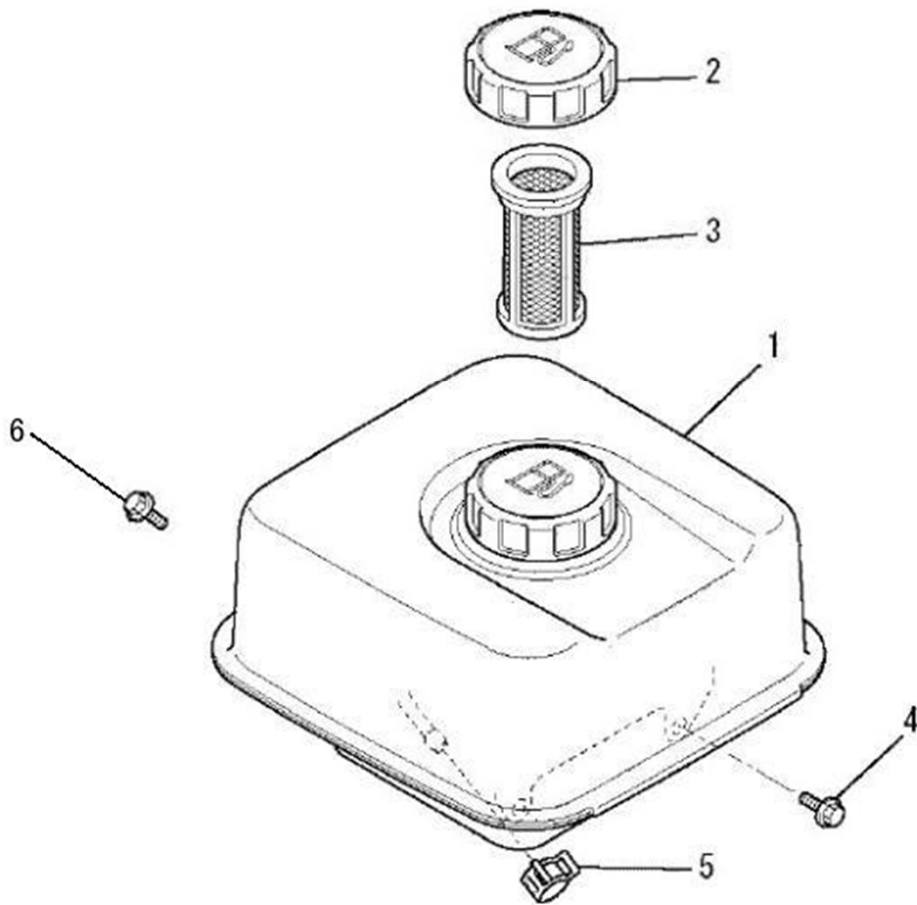
No.	Parts No.	Parts Name	No.Req'd	Inte Remarks	Assy No.	Price
1	KG03025BA	CONTROL PANEL ASSY 控制板总成	1			
2	KG22018AA	SHAFT,GOV 调速摇臂轴	1			
3	KG31030AA	LEVER,GOV 调节杆	1			
4	KG41023AA	ROD,GOV 调速器拉杆	1			
5	KG42024AA	SPRING,ROD 调速拉杆弹簧	1			
6	KG90014AA	CAP 帽	1			
7	KG90015AA	WASHER 垫圈	1			
8	KG90016AA	SEAL,DUST 防尘密封垫	1			
9	KU70006AA	CLIP 夹子	1			
10	B800A06X012	BOLT,FLANGE 法兰螺柱	2			
11	FR42734	NUT,FLANGE 法兰螺母	2			
12	B800A06X008K	BOLT,FLANGE 法兰螺柱	2			

(K) FAN COVER GROUP



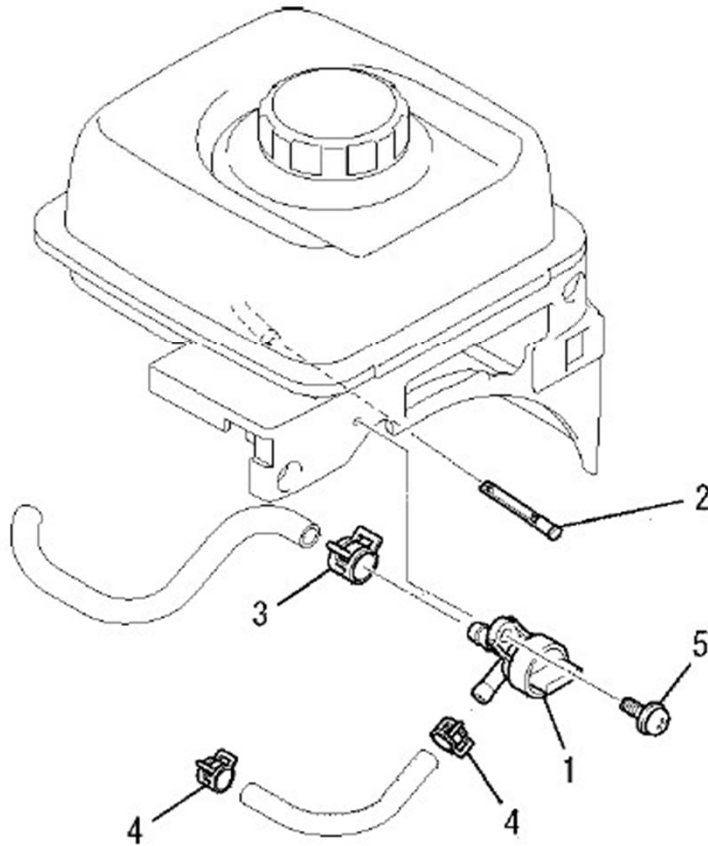
No.	Parts No.	Parts Name		No.Req'd	Inte Remarks	Assy No.	Price	
1	KH27029AA	COVER,FAN	风扇罩	1				
2	KH40067CA	COVER,CYLINDER	气缸罩	1				
3	BH90054AA	COVER	罩	1				
4	BH90055BA	COVER	罩	1				
5	B800A06X012	BOLT,FLANGE	法兰螺柱	5				

(M) TANK GROUP



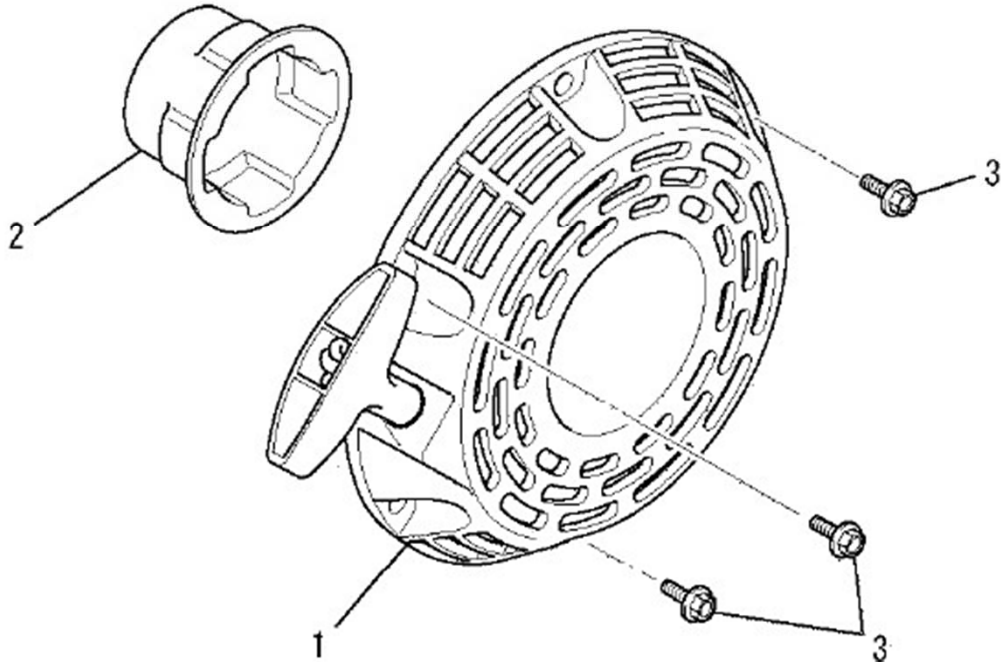
No.	Parts No.	Parts Name	No.Req'd	Inte Remarks	Assy No.	Price
1	BF12089AA	TANK FUEL 燃油箱	1	WITH KF40012AA	LF12089AA	
2	KF22003AA	CAP,FUEL TANK 油箱盖	1			
3	KF40014AA	FILTER,FUEL 燃油过滤杯	1			
4	B800A06X016	BOLT,FLANGE 法兰螺柱	3			
5	KU70021AA	CLIP 夹子	1			
6	B800A06X020	BOLT,FLANGE 法兰螺柱	1			

(N) COCK GROUP



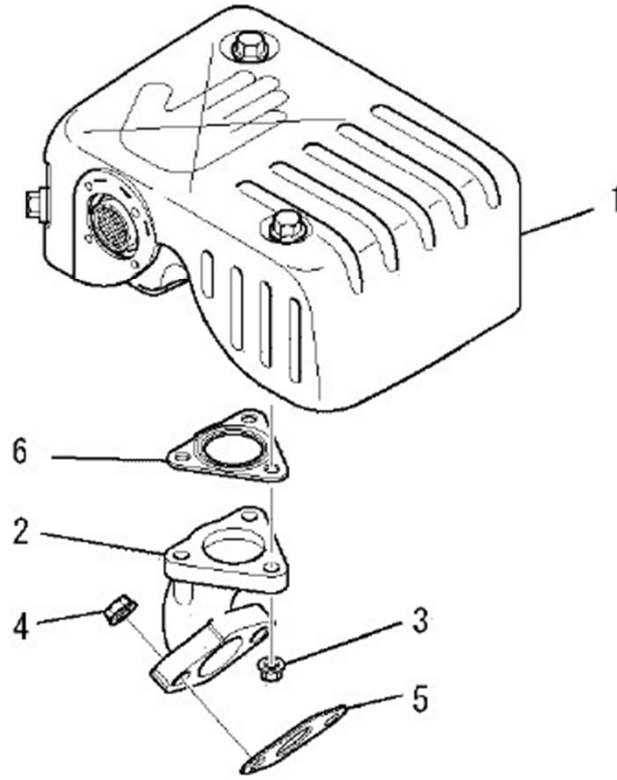
No.	Parts No.	Parts Name	No.Req'd	Inte Remarks	Assy No.	Price
1	KF31034AA	COCK,FUEL 燃油开关	1			
2	KF40012AA	FILTER,FUEL 燃油过滤杯	1			
3	KU70020AA	CLIP 夹子	1			
4	KU70021BA	CLIP 夹子	2			
5	KU12026AA	TAP-SCREW 自攻螺钉	1			

(R) RECOIL STARTER GROUP



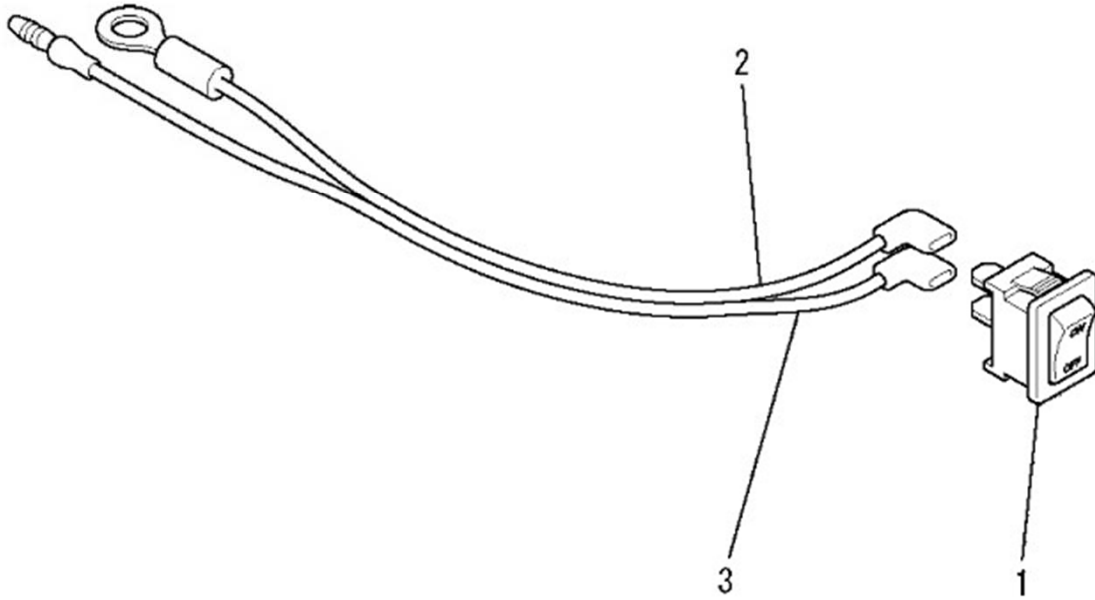
No.	Parts No.	Parts Name	No.Req'd	Inte Remarks	Assy No.	Price
1	KS20124AA	RECOIL STARTER ASSY 启动拉盘	1			
2	KS30040CA	PULLEY,STARTER 启动杯	1			
3	B800A06X016K	BOLT,FLANGE 法兰螺柱	3			

(S) MUFFLER GROUP



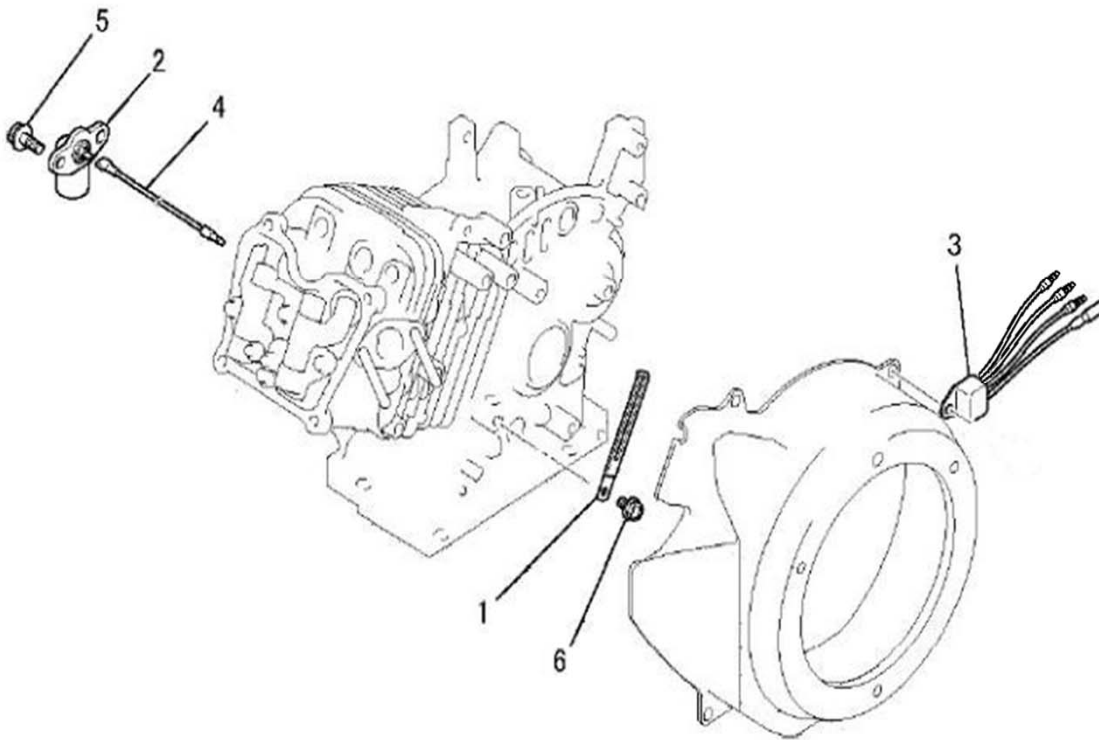
No.	Parts No.	Parts Name	No.Req'd	Inte Remarks	Assy No.	Price
1	KM02140AA	MUFFLER ASSY 消音器总成	1			
2	KM30022AA	PIPE,EXHAUST 排气管	1			
3	N801A06	NUT,FLANGE 法兰螺母	3			
4	ZZ70028C	NUT,CONICAL SPG 圆锥面螺母	2			
5	KM70040AA	GASKET,MUFFLER 消音器垫	1			
6	KM70041AA	GASKET,MUFFLER 排气管垫	1			

(U) SWITCH GROUP



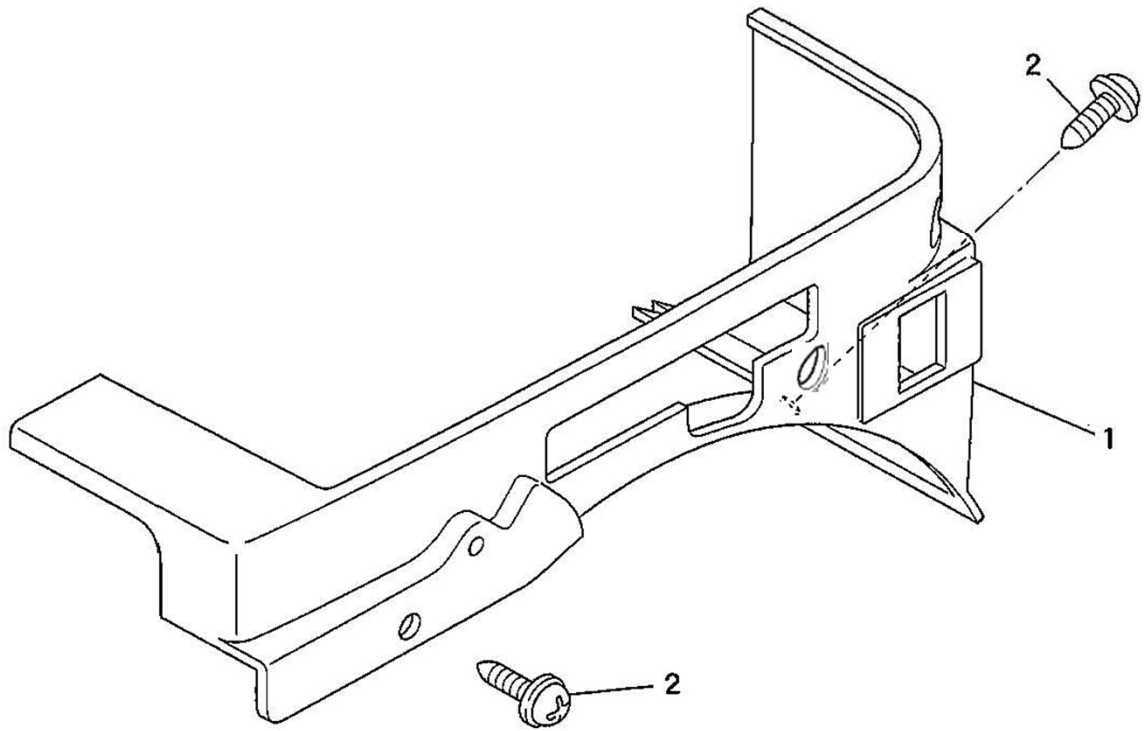
No.	Parts No.	Parts Name		No.Req'd	Inte Remarks	Assy No.	Price
1	KE80033BA	SWITCH,STOP	停机开关	1			
2	KE90190AA	WIRE,LEAD	导线	1			
3	KE90191AA	WIRE,LEAD	导线	1			

(W) OIL SENSOR GROUP



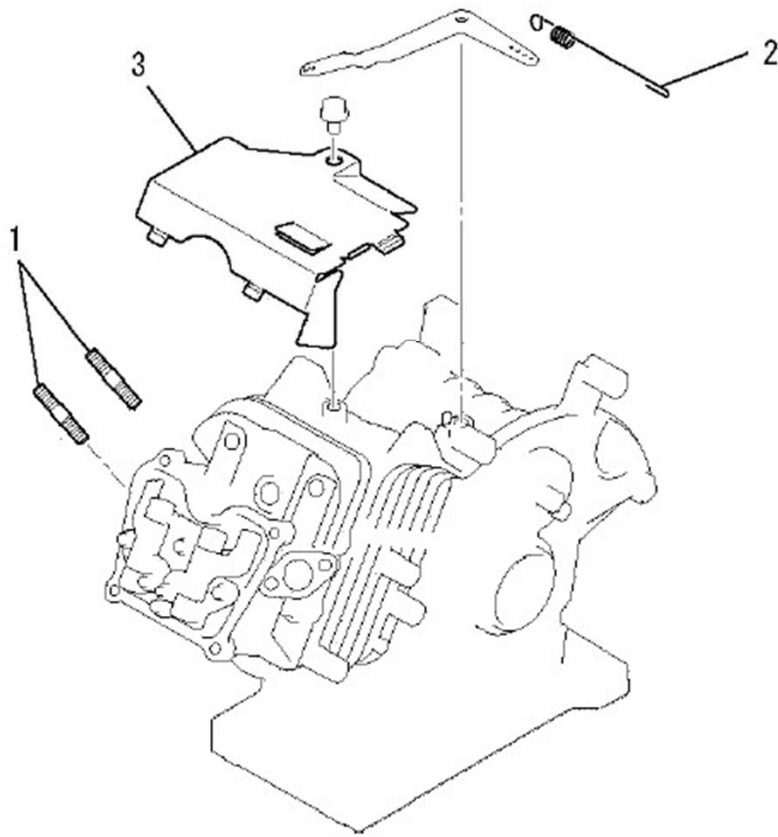
No.	Parts No.	Parts Name	No.Req'd	Inte Remarks	Assy No.	Price
1	FR64917	CLAMP 夹子	1			
2	KE09041AA	SENSOR,OIL 传感器	1			
3	KE34011AA	UNIT 报警器	1			
4	KE90013BA	WIRE,LEAD 导线	1			
5	B800A06X012	BOLT,FLANGE 法兰螺柱	2			
6	KU12051AA	BOLT,FLANGE 法兰螺柱	1			

(X) COVER GROUP



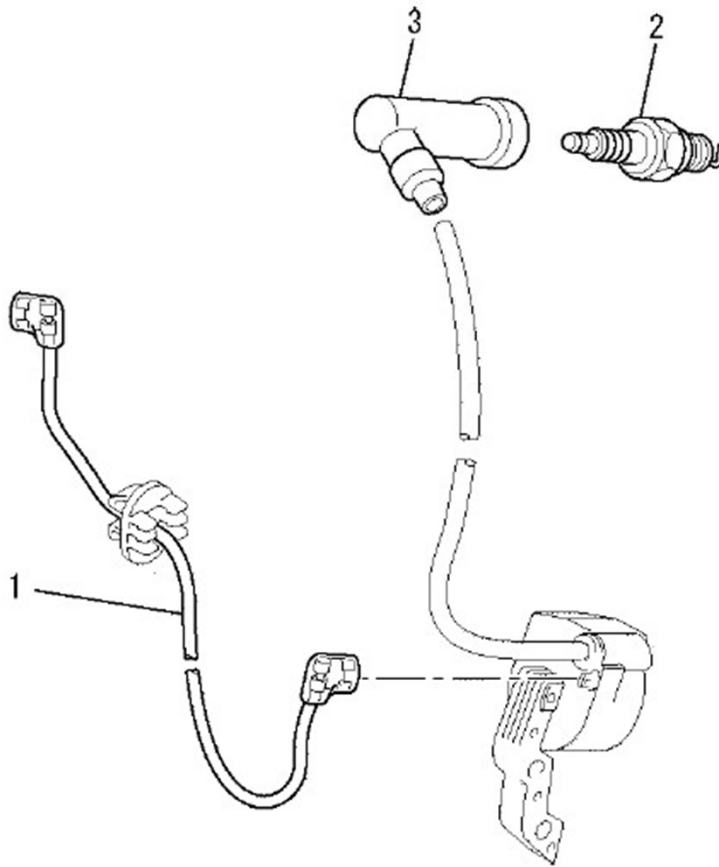
No.	Parts No.	Parts Name		No. Req'd	Inte Remarks	Assy No.	Price	
1	BR40031DA	COVER,FRONT	前罩	1	WITH GE63036AA	LR40031DA		
2	KU12025AA	TAP-SCREW	自攻螺钉	2				

1. BOLT, SPRING, COVER



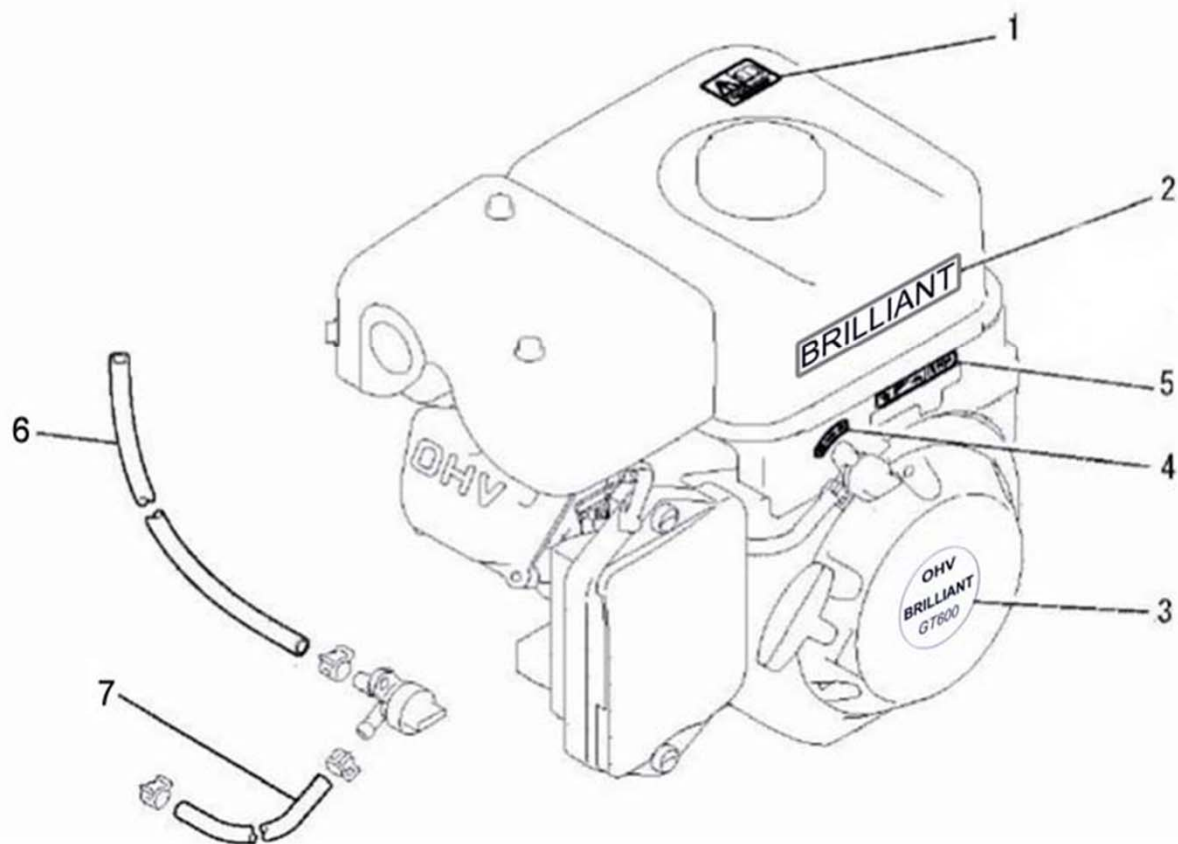
No.	Parts No.	Parts Name	No.Req'd	Inte Remarks	Assy No.	Price
1	B151B08X020	BOLT,STUD 双头螺柱	2			
2	KG34033BA	SPRING,GOV 调速器弹簧	1			
3	KH40073AA	COVER,TOP 顶罩	1			

2. LEAD WIRE, PLUG, CAP



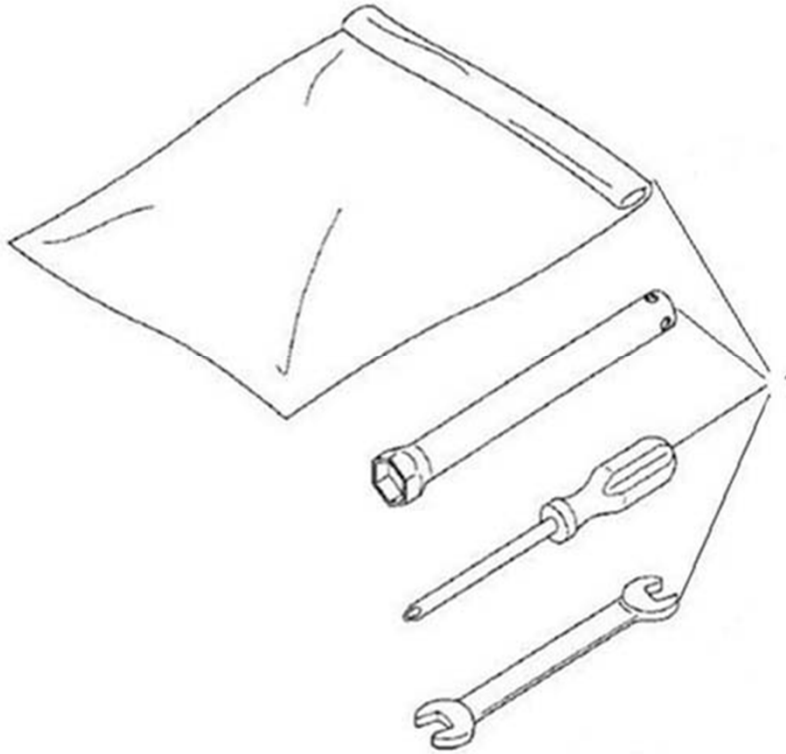
No.	Parts No.	Parts Name	No.Req'd	Inte Remarks	Assy No.	Price
1	KE90069AA	WIRE,LEAD 导线	1			
2	BE41009AB	PLUG,SPARK 火花塞	1			
3	BE42030AA	CAP,PLUG 火花塞帽	1			

3. LABEL, FUEL HOSE



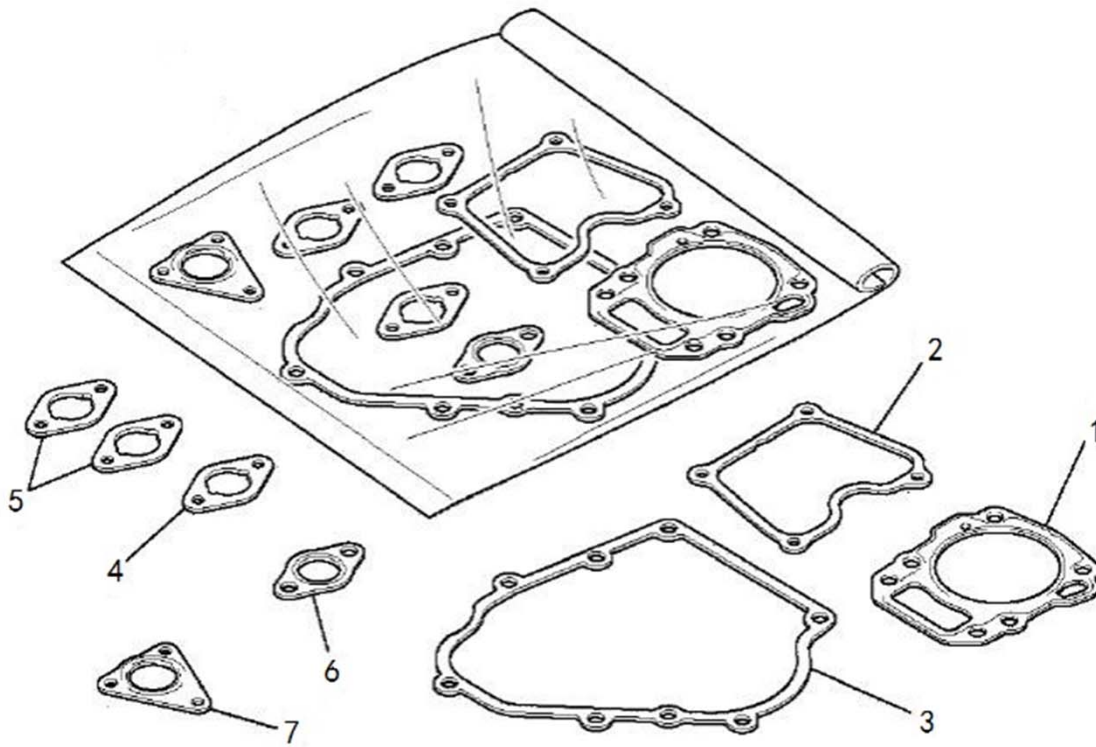
No.	Parts No.	Parts Name		No.Req'd	Inte Remarks	Assy No.	Price	
1	KW55042AA	LABEL	警示标贴	1				
2	BW55112BA	LABEL	长标贴	1				
3	BW52373CA	LABEL,NAME	圆标贴	1				
4	KW56316AA	LABEL	燃油开关标贴	1				
5	KW56112AA	LABEL	龟兔标贴	1				
6	KF90139AA130	HOSE,FUEL	燃油管	1				
7	KF90140AA135	HOSE,FUEL	燃油管	1				

4. TOOL SET



No.	Parts No.	Parts Name		No.Req'd	Inte Remarks	Assy No.	Price	
1	KN01018AA	TOOL.SET	工具组件	1				

5. GASKET SET



No.	Parts No.	Parts Name	No.Req'd	Inte Remarks	Assy No.	Price
1	KC66015AA	GASKET,HEAD 气缸盖垫	1			
2	KW33007AA	GASKET,HEAD COVER 气门室盖垫	1			
3	KW31015AA	GASKET,CRANKCASE 曲轴箱垫	1	WHIT 1/2/4/5/6/7	LW34029AA	
4	KW34029AA	GASKET,CARBURETOR 化油器垫	1			
5	KW34029AA	GASKET,CARBURETOR 化油器垫	2			
6	KM70040AA	GASKET,MUFFLER 消音器垫	1			
7	KM70041AA	GASKET,MUFFLER 排气管垫	1			