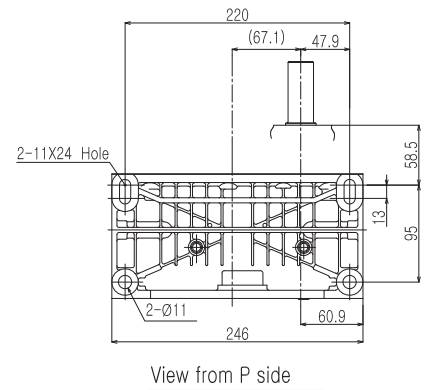
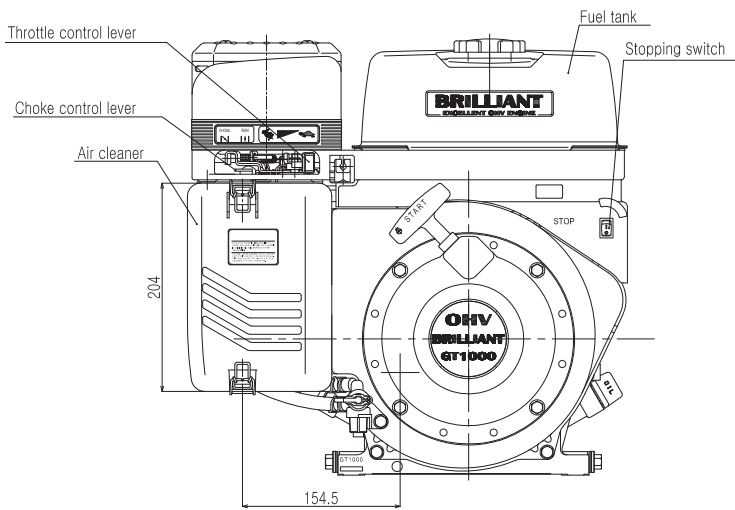
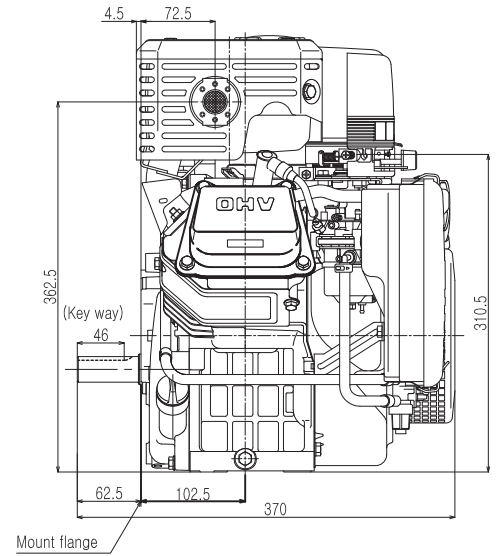
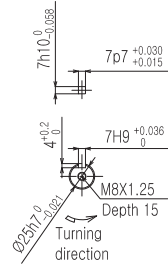
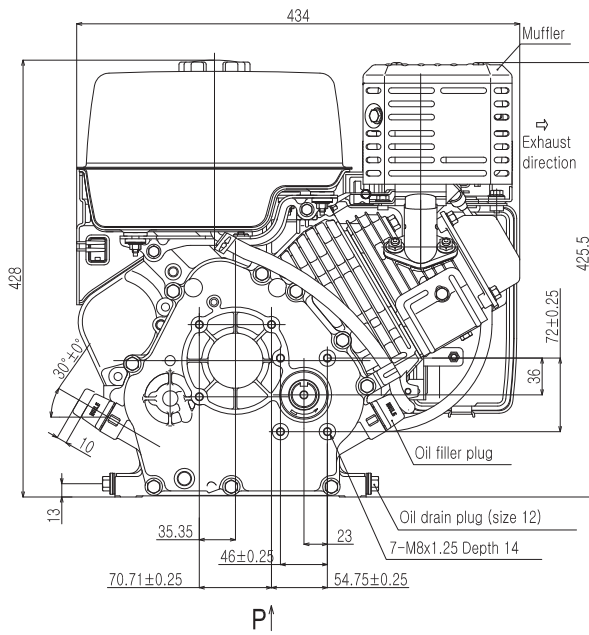


DIMENSIONS



PTO SHAFT TYPE

