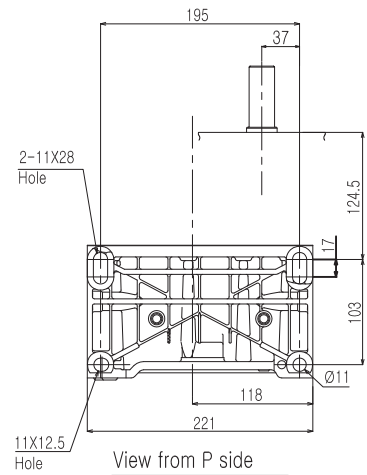
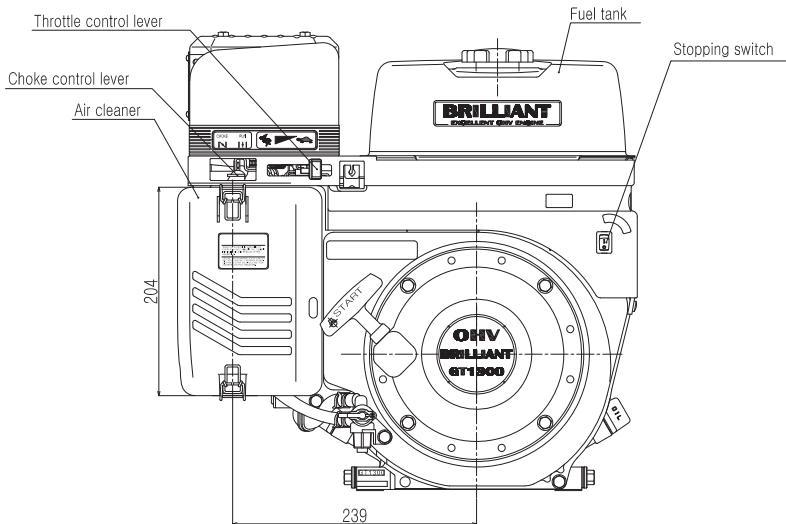
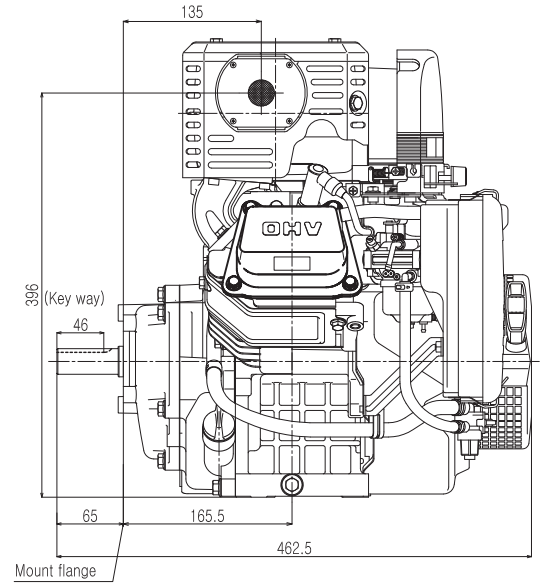
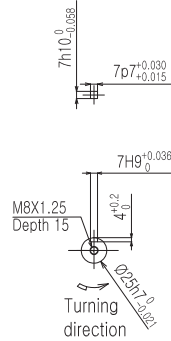
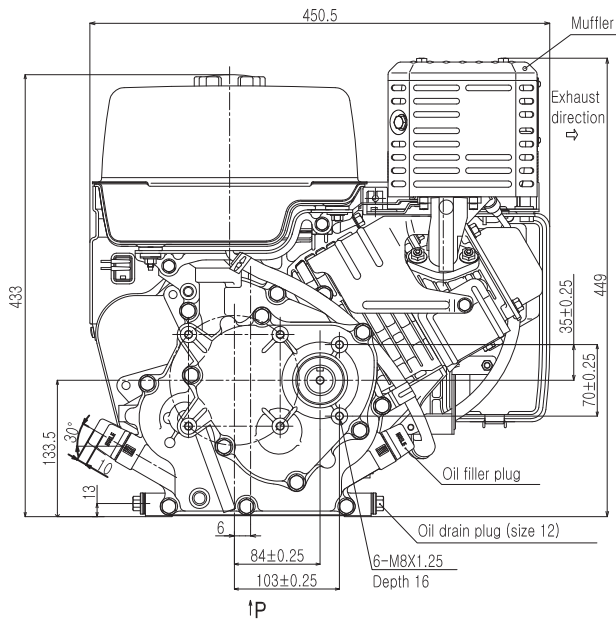
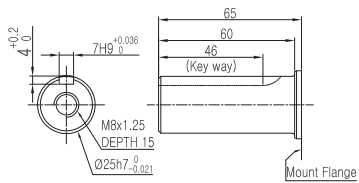


DIMENSIONS



PTO SHAFT TYPE



KEYWAY (JIS)