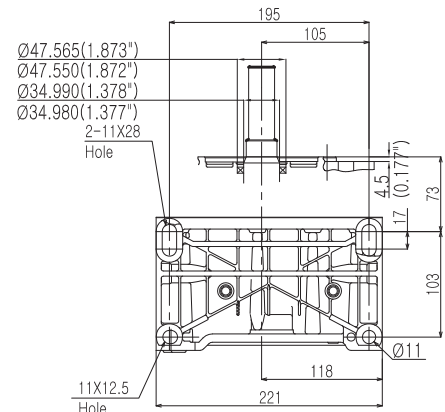
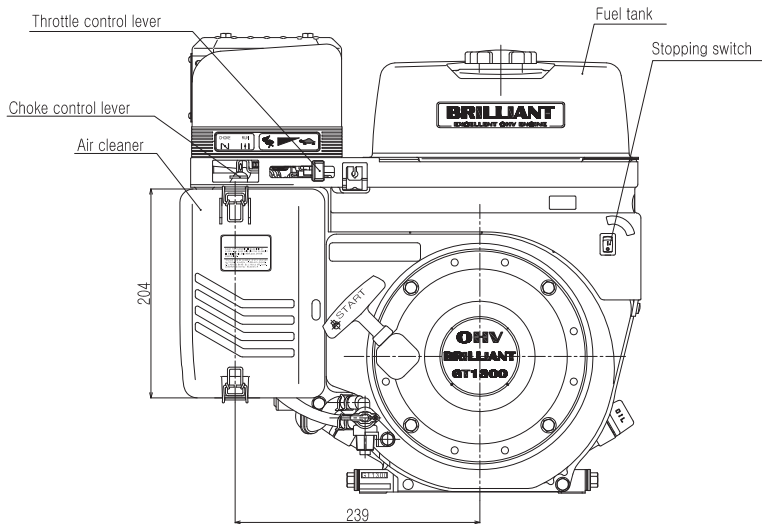
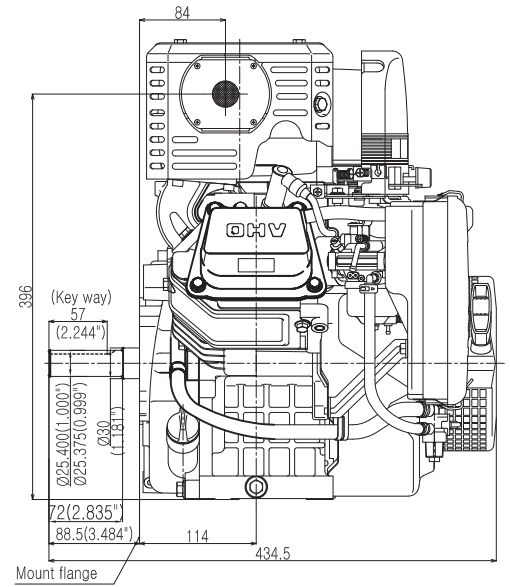
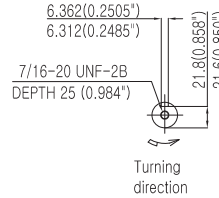
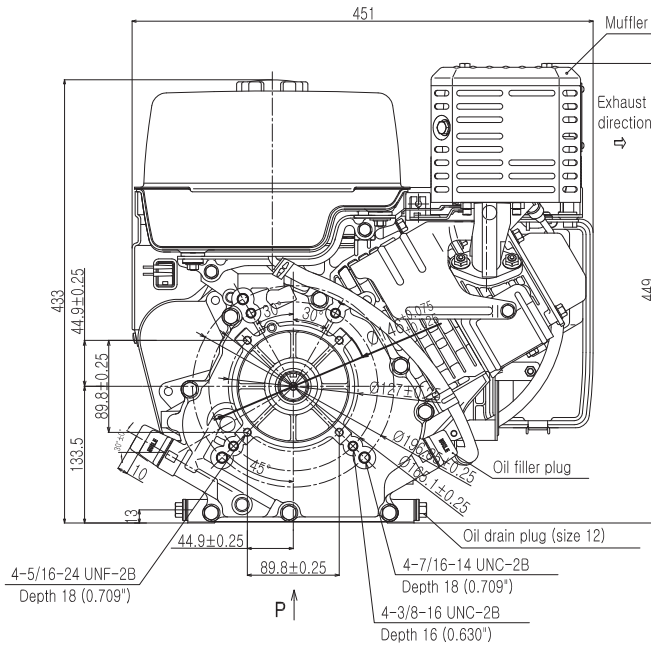
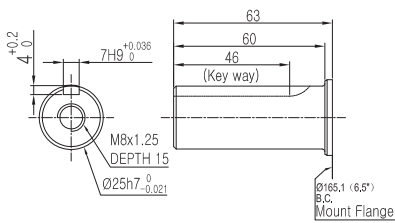


DIMENSIONS

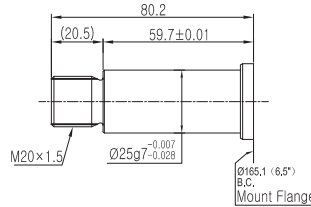


View from P side

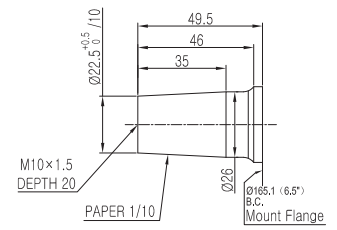
PTO SHAFT TYPE



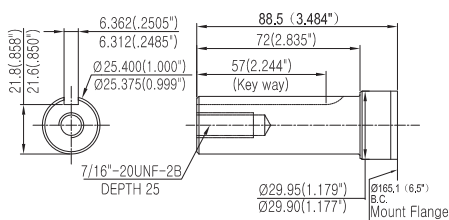
KEYWAY (JIS)



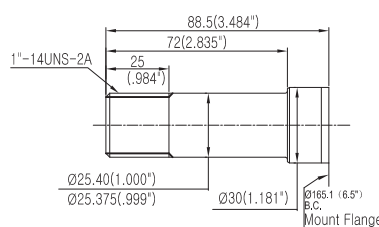
THREAD (JIS)



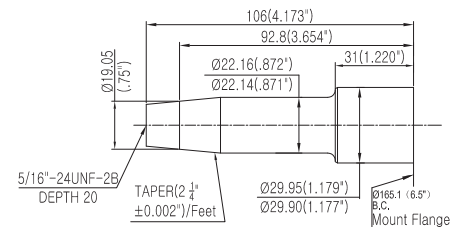
TAPER (JIS)



KEYWAY (SAE)



THREAD (SAE)



TAPER (SAE)