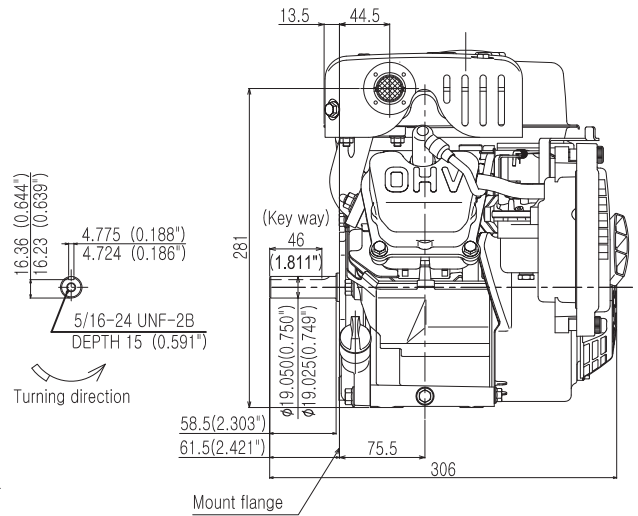
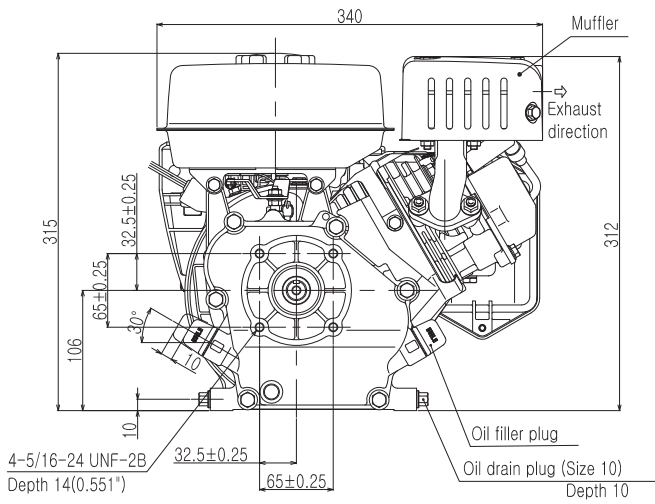
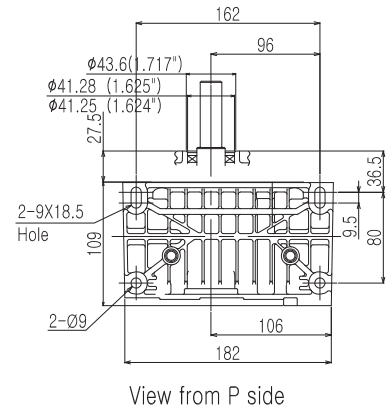
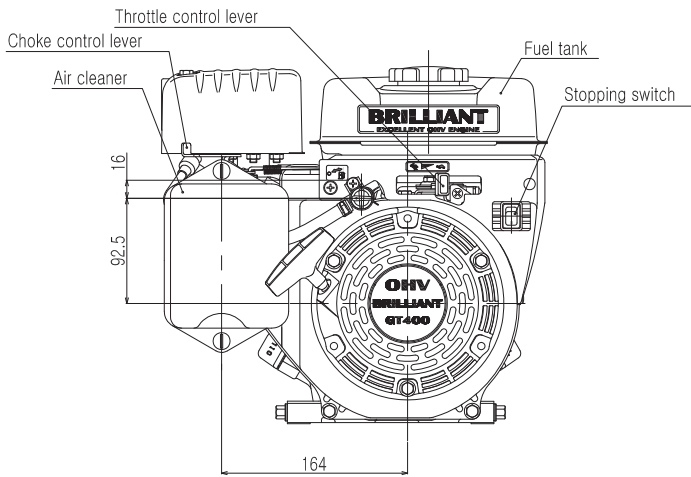


### DIMENSIONS



↑ P



### PTO SHAFT TYPE

